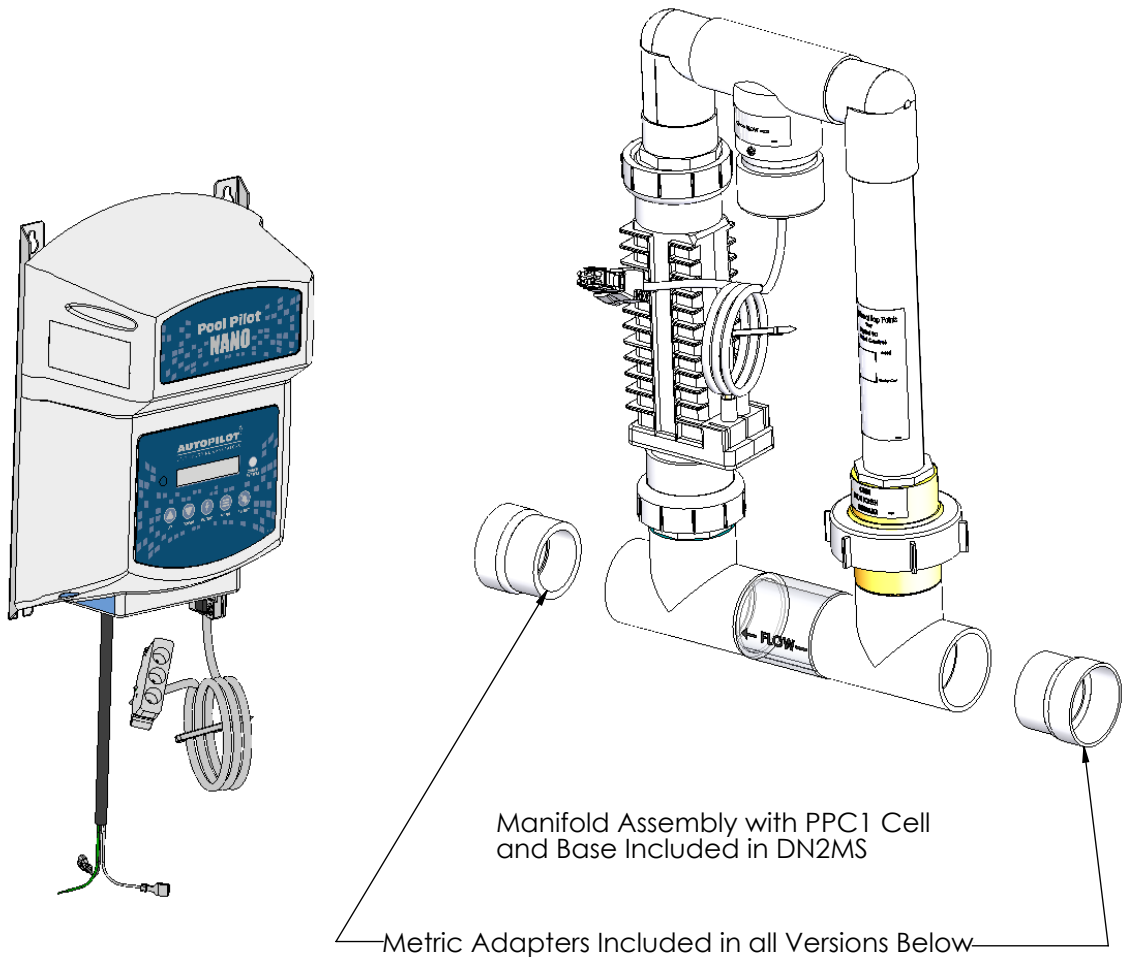


NANO PCC SYSTEMS

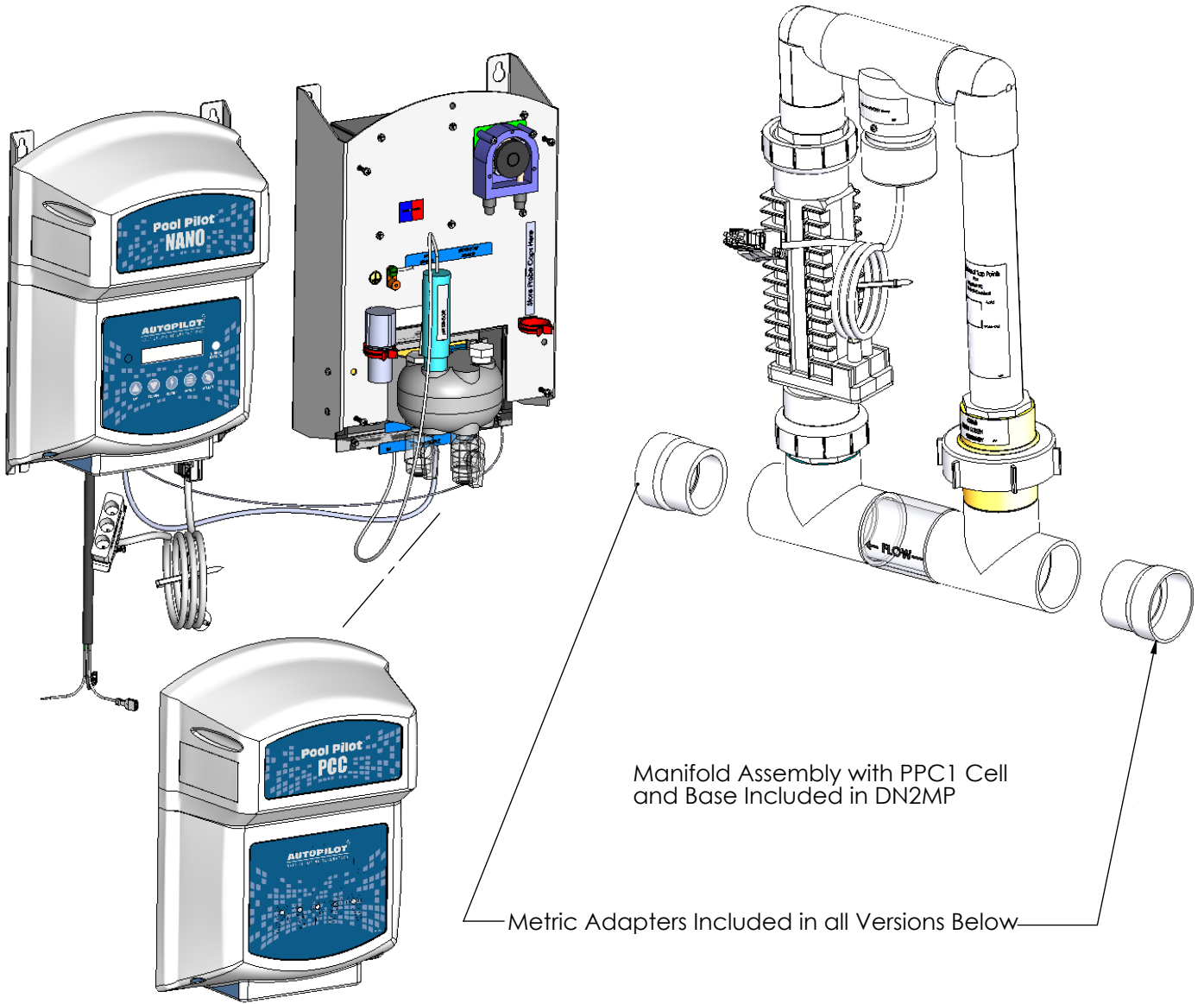
Nano PCC



PART #	DESCRIPTION
DN2MS	Nano, 220V with PPM1M Manifold, Cover Detect Switch and PCC Ready, with Metric Adapters Eng, Esp, Fra, Ger, Ita, Ces Languages

NANO PCC SYSTEMS

With Pool Chemistry Controller



PART #	DESCRIPTION
DN2MP	Nano, 220V with PPM1M Manifold, Cover Detect Switch, Peristaltic Pump, pH Probe and PCC ready, with Metric Adapters Eng, Esp, Fra, Ger, Ita, Ces Languages

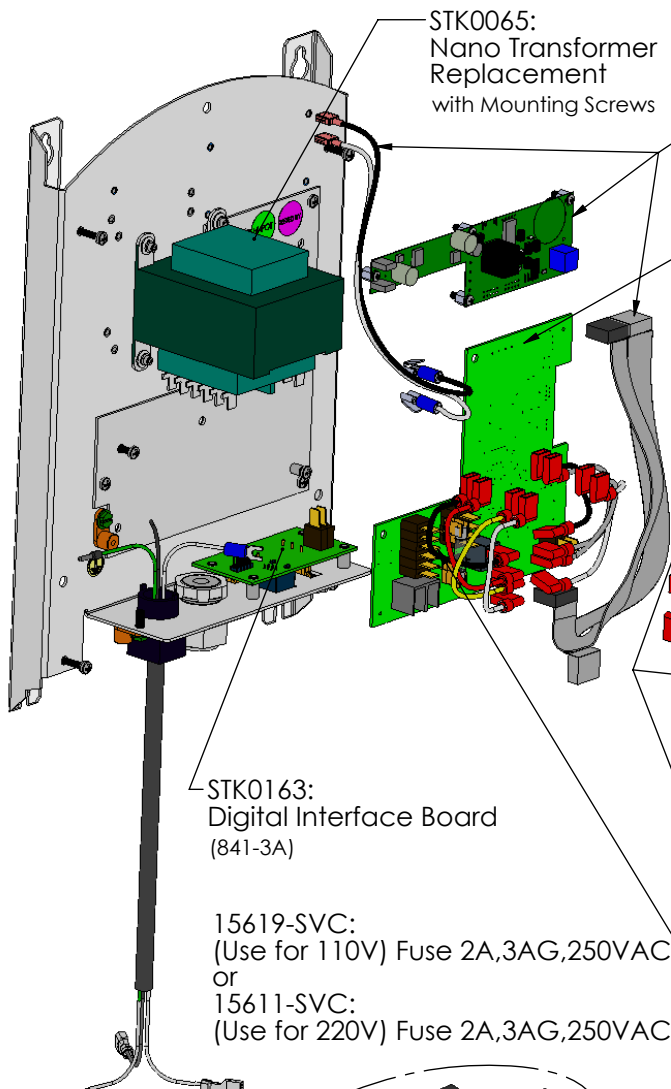


CAUTION: Sulfuric Acid is approved for dispensing by the Pool Chemistry Controller (PCC) Models 75054 and 75055. Muriatic/Hydrochloric Acid is **NOT** approved for dispensing by the PCC and will void warranty coverage if dispensed by the PCC.

NANO PCC SYSTEMS

Nano PCC

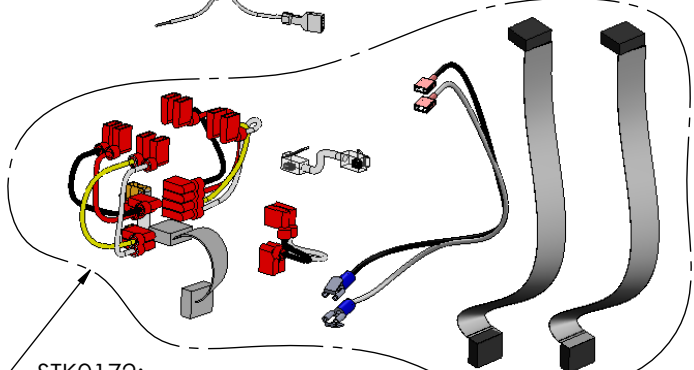
Power Supply Parts



STK0065:
Nano Transformer
Replacement
with Mounting Screws

STK0163:
Digital Interface Board
(841-3A)

15619-SVC:
(Use for 110V) Fuse 2A,3AG,250VAC
or
15611-SVC:
(Use for 220V) Fuse 2A,3AG,250VAC



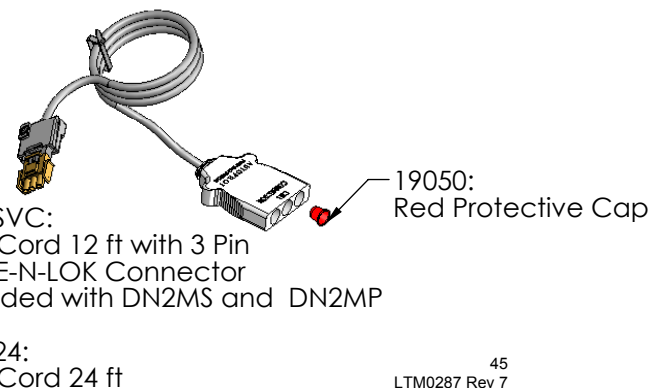
STK0172:
Nano/Nano+ PCC Wire and Cable Replacement Kit
Includes:
*04AK1800404 Wire Assy 18 AWG, UL1007 Black (2)
*04AW1800404 Wire Assy 18 AWG, UL1007 White (2)
*04AR1800404 Wire Assy 18 AWG, UL1007 Red (2)
*04AY1800404 Wire Assy 18 AWG, UL1007 Yellow (2)
*20007 Ribbon Cable 10 CCT (1)
ECP0063 Modular Cable 12" (1)
*ECA0352 Ribbon Cable (2)
*ECA0348 24V Power Cable to 863A

STK0156:
Kit for Nano Expansion Board
Includes:
*863A Expansion Board
*ECA0348 24V Power Cable to 863A
*FAP0217 Standoffs 4-40x1/4" (5)
*FAP0056 Nut #4-40 Kept SS (1)
*FAP0219 Screw #4-40x1/8" (5)
*ECA0352 Ribbon Cable (2)
*PCP0326 1/2" NPT Split Gland

STK0158:
Nano Power Supply
Board Replacement
Includes:
*CBP0001G Nano Power Supply PCC Ready
ECP0063 Modular Cable 12"
15619-SVC Fuse 2A, 3AG, 250VAC (Spare-use for 110V)
15611-SVC Fuse 1A, 3AG, 250VAC (Installed-use for 220V)
*15486 HDW Screw #6-32 x 5/16 (4)
STK0172 Nano/Nano+ PCC Wire and Cable Repl. Kit

STK0159:
Nano/Nano+ Display PC Board
Replacement Kit
Includes:
*841-2C Nano Display Board PCC Ready
ECP0063 Modular Cable 12"

STK0165:
Nano Cover Replacement Kit
Includes:
*PCP0150 Molded Cover for Nano
*LBP0267 Label, Nano Cover Control Panel
*LBP0266 Label, Nano Cover Top
*GKP0013 O-Ring Cord 3.5mm
*15403 HDW Screw #6-32 x 3/4 (4)
*GKP0111 O-Ring B1000-006



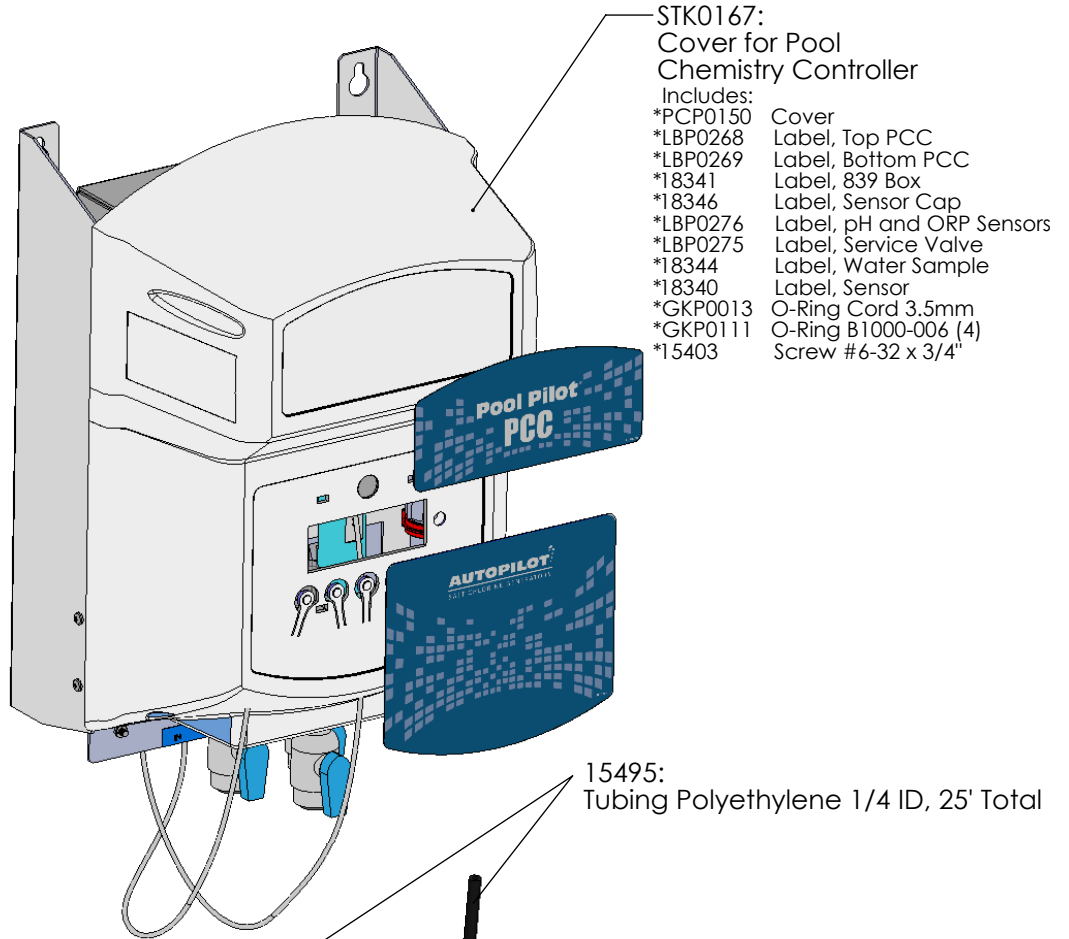
952-SVC:
Cell Cord 12 ft with 3 Pin
MATE-N-LOK Connector
Included with DN2MS and DN2MP
or
952-24:
Cell Cord 24 ft

19050:
Red Protective Cap

*Cannot be ordered separately

NANO PCC SYSTEMS

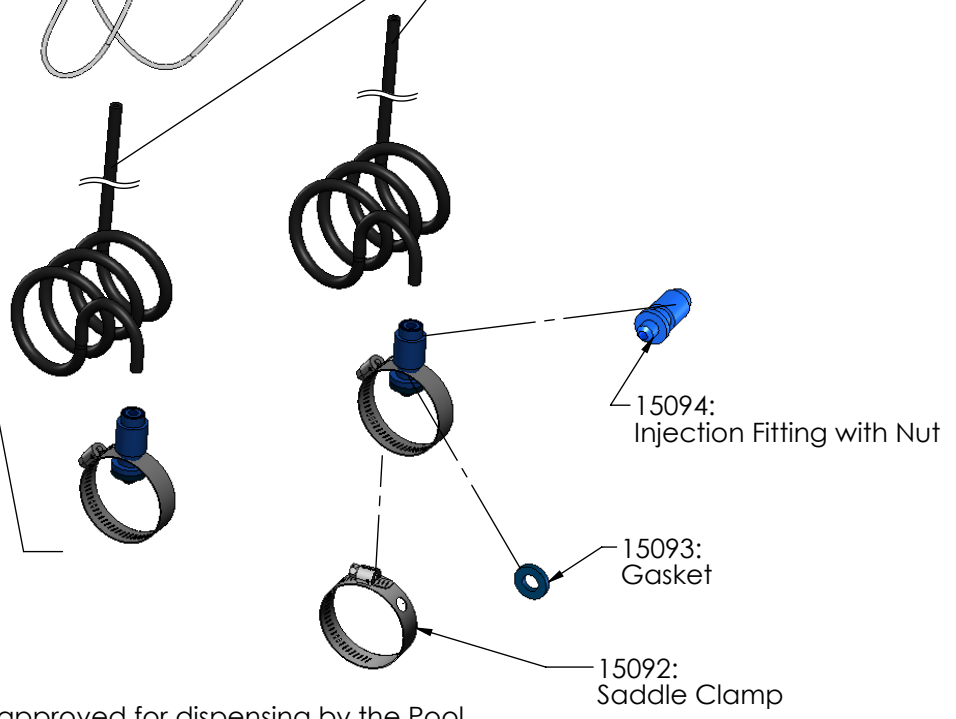
Pool Chemistry Controller Parts



- STK0167:
Cover for Pool Chemistry Controller
- Includes:
- *PCP0150 Cover
 - *LBP0268 Label, Top PCC
 - *LBP0269 Label, Bottom PCC
 - *18341 Label, 839 Box
 - *18346 Label, Sensor Cap
 - *LBP0276 Label, pH and ORP Sensors
 - *LBP0275 Label, Service Valve
 - *18344 Label, Water Sample
 - *18340 Label, Sensor
 - *GKP0013 O-Ring Cord 3.5mm
 - *GKP0111 O-Ring B1000-006 (4)
 - *15403 Screw #6-32 x 3/4"

15495:
Tubing Polyethylene 1/4 ID, 25' Total

- 17013:
Accessory Kit For 75054/75055
- Includes:
- *331 Anchors (4)
 - *330-HEX HDW Screw #10 x 1 (4)
 - 15092 Saddle Clamp (2)
 - 15093 Gasket (2)
 - 15094 Injection Fitting (2)
 - 15495 Polyethylene Tubing, 1/4" ID x 3/8" OD x 25'



- 15094:
Injection Fitting with Nut
- 15093:
Gasket
- 15092:
Saddle Clamp

CAUTION: Sulfuric Acid is approved for dispensing by the Pool Chemistry Controller (PCC) Models 75054 and 75055. Muriatic/Hydrochloric Acid is **NOT** approved for dispensing by the PCC and will void warranty coverage if dispensed by the PCC.

*Cannot be ordered separately

NANO PCC SYSTEMS

Pool Chemistry Controller Parts

Nano PCC

STK0173:
Top Box

- Includes:
 *MTA0141 Box Assy
 *9040 Screw, 6-32 x 3/8" (6)
 *INP0018 Gasket for Metal Box

STK0168:
Pump Kit

- Includes:
 *ECP0272 Peristaltic Pump
 *GKP0017 Pump Gasket
 *ECA0349 12V Pump Cable

ECS19150:
Flow Switch

19153:
Injection Flow Cell

ECS19151:
pH Sensor

17555-SVC:
Ball Valve, 1/4" Male NPT to QC (3)

ECA0349:
12V Cable to Pump

17212-1:
Modular Cable

839N: New
839R: Remanufactured
ORP/pH Board

STK0164: Service Kit for PCC

- Includes:
 839N PCB Assy ORP/pH Board
 *15496 Nut for BNC Connector (2)
 *15497 Lockwasher for BNC Connector (2)
 17212-1 Modular Cable with Gland
 *MTA0138 Metal Box for 839 Board
 *INP0018 Gasket for Metal Box
 *9040 Screw, #6-32 x 3/8" (6)
 *15402-1 Screw, #6-32 x 1/4" (2)
 *18341 Label, 839 Box

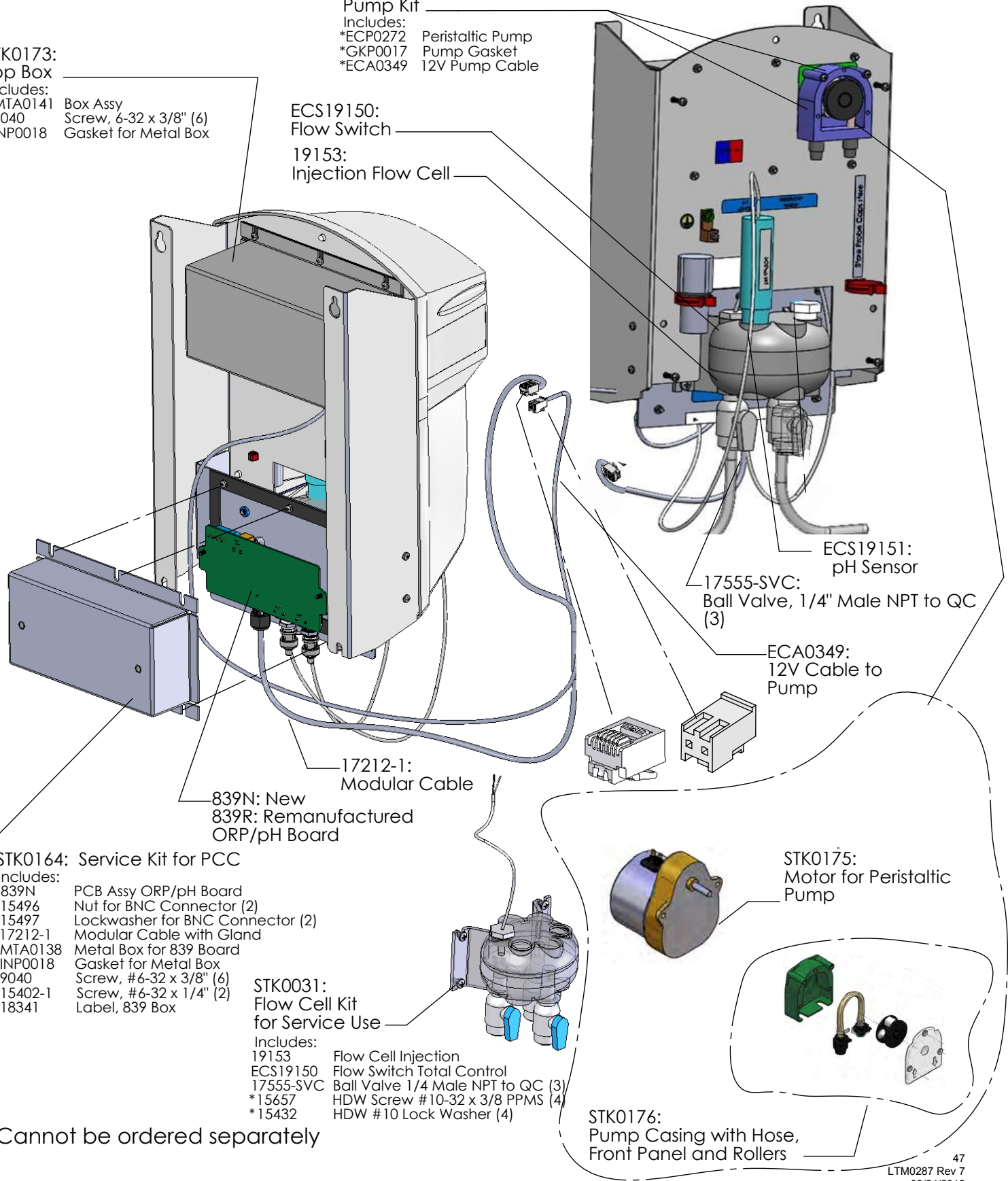
STK0031:
Flow Cell Kit
for Service Use

- Includes:
 19153 Flow Cell Injection
 ECS19150 Flow Switch Total Control
 17555-SVC Ball Valve 1/4 Male NPT to QC (3)
 *15657 HDW Screw #10-32 x 3/8 PPMS (4)
 *15432 HDW #10 Lock Washer (4)

STK0175:
Motor for Peristaltic
Pump

STK0176:
Pump Casing with Hose,
Front Panel and Rollers

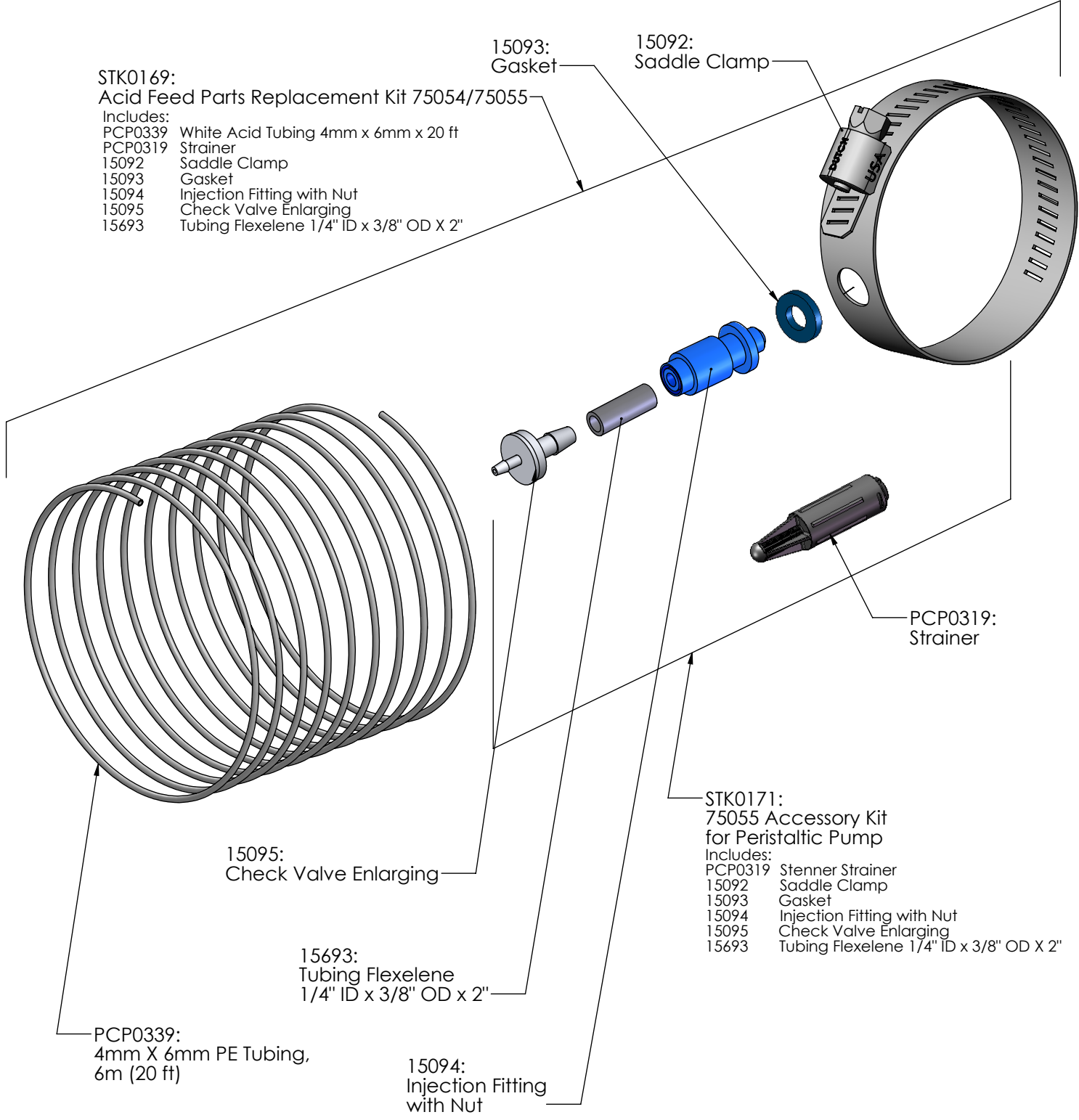
*Cannot be ordered separately



Nano PCC

NANO PCC SYSTEMS

Pool Chemistry Controller Parts



STK0169:
Acid Feed Parts Replacement Kit 75054/75055
Includes:
PCP0339 White Acid Tubing 4mm x 6mm x 20 ft
PCP0319 Strainer
15092 Saddle Clamp
15093 Gasket
15094 Injection Fitting with Nut
15095 Check Valve Enlarging
15693 Tubing Flexelene 1/4" ID x 3/8" OD X 2"

15093:
Gasket

15092:
Saddle Clamp

PCP0319:
Strainer

15095:
Check Valve Enlarging

15693:
Tubing Flexelene
1/4" ID x 3/8" OD x 2"

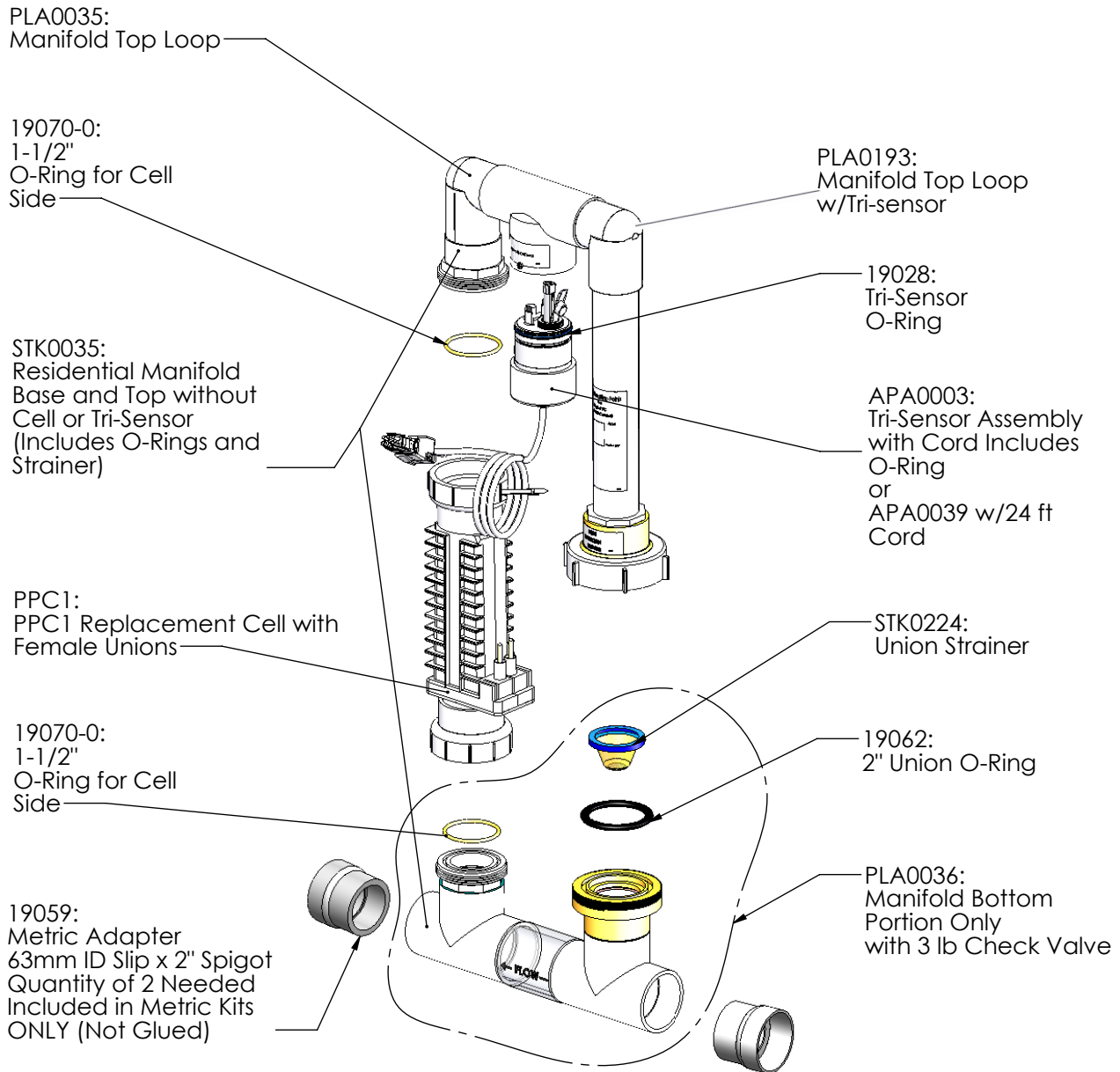
PCP0339:
4mm X 6mm PE Tubing,
6m (20 ft)

15094:
Injection Fitting
with Nut

STK0171:
75055 Accessory Kit
for Peristaltic Pump
Includes:
PCP0319 Stenner Strainer
15092 Saddle Clamp
15093 Gasket
15094 Injection Fitting with Nut
15095 Check Valve Enlarging
15693 Tubing Flexelene 1/4" ID x 3/8" OD X 2"

SINGLE SYSTEM MANIFOLDS

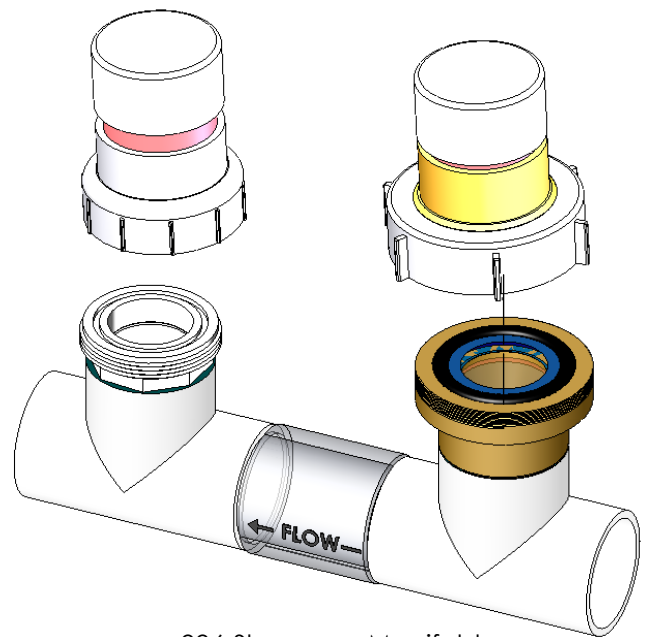
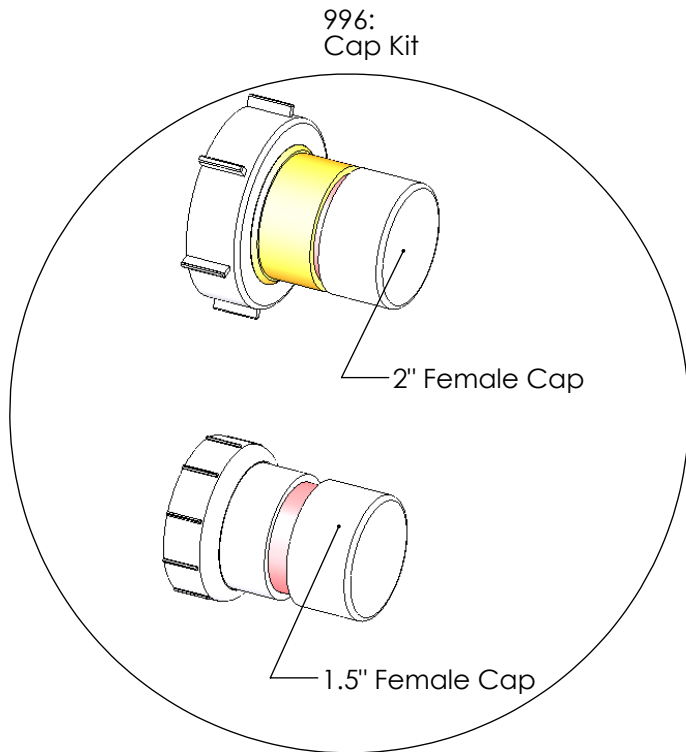
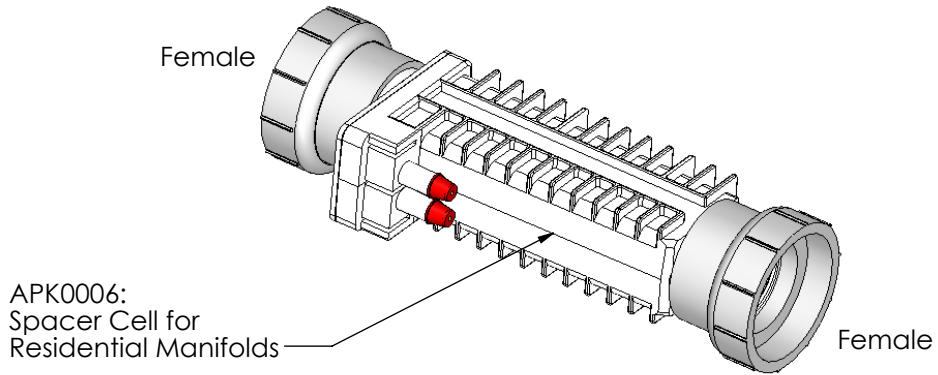
Nano PCC



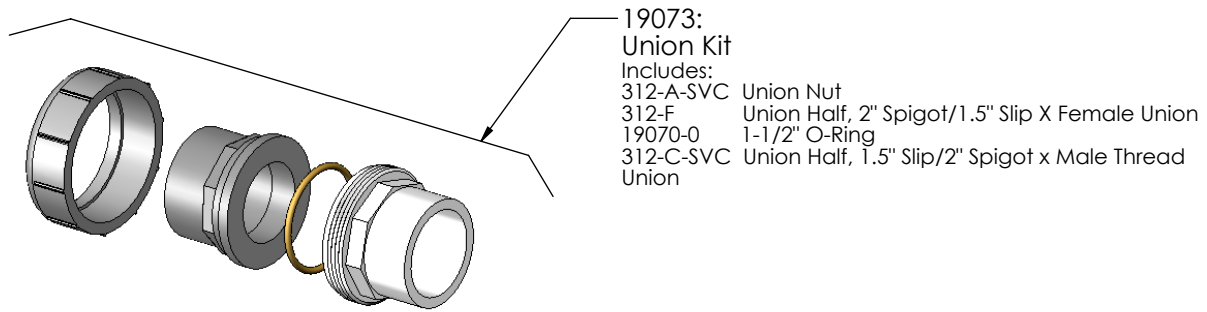
Single System Manifolds/Cells

PART #	DESCRIPTION
PPM1M	Manifold Assy with PPC1 Cell and Metric Adapters

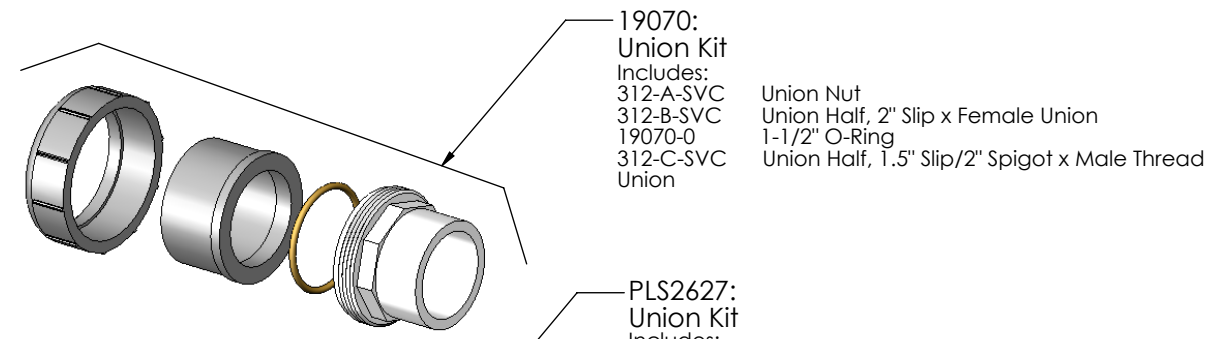
Nano PCC MANIFOLD ACCESSORIES/TOOLS



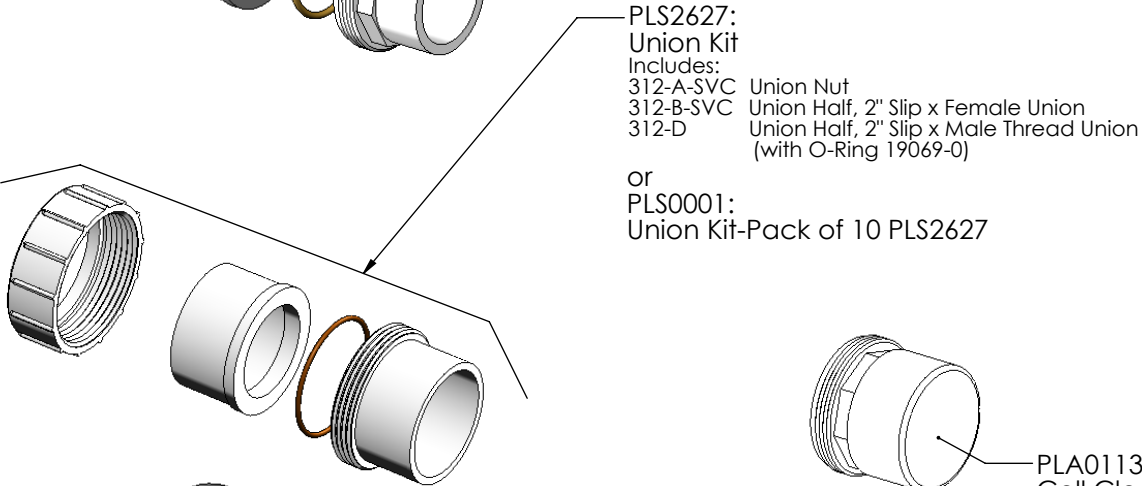
MANIFOLD ACCESSORIES/TOOLS Nano PCC



19073:
 Union Kit
 Includes:
 312-A-SVC Union Nut
 312-F Union Half, 2" Spigot/1.5" Slip X Female Union
 19070-0 1-1/2" O-Ring
 312-C-SVC Union Half, 1.5" Slip/2" Spigot x Male Thread Union

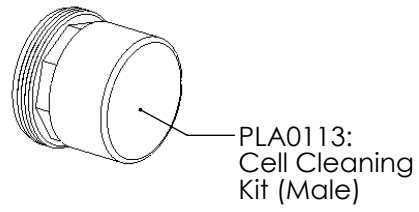


19070:
 Union Kit
 Includes:
 312-A-SVC Union Nut
 312-B-SVC Union Half, 2" Slip x Female Union
 19070-0 1-1/2" O-Ring
 312-C-SVC Union Half, 1.5" Slip/2" Spigot x Male Thread Union

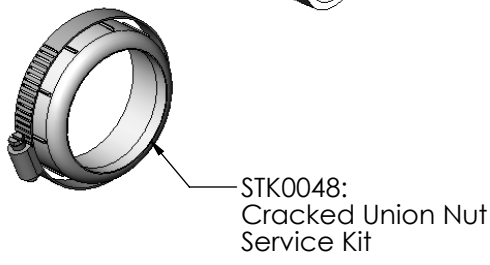


PLS2627:
 Union Kit
 Includes:
 312-A-SVC Union Nut
 312-B-SVC Union Half, 2" Slip x Female Union
 312-D Union Half, 2" Slip x Male Thread Union (with O-Ring 19069-0)

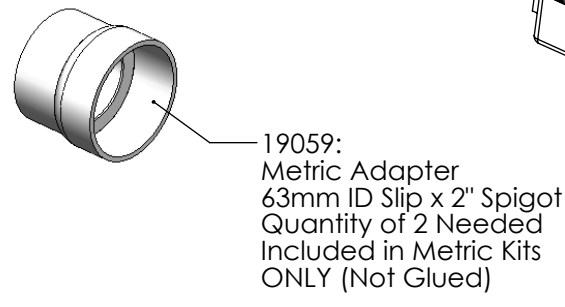
or
 PLS0001:
 Union Kit-Pack of 10 PLS2627



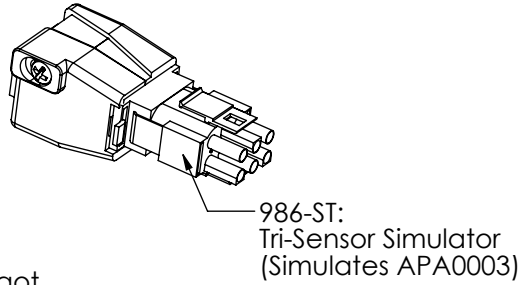
PLA0113:
 Cell Cleaning
 Kit (Male)



STK0048:
 Cracked Union Nut
 Service Kit



19059:
 Metric Adapter
 63mm ID Slip x 2" Spigot
 Quantity of 2 Needed
 Included in Metric Kits
 ONLY (Not Glued)



986-ST:
 Tri-Sensor Simulator
 (Simulates APA0003)