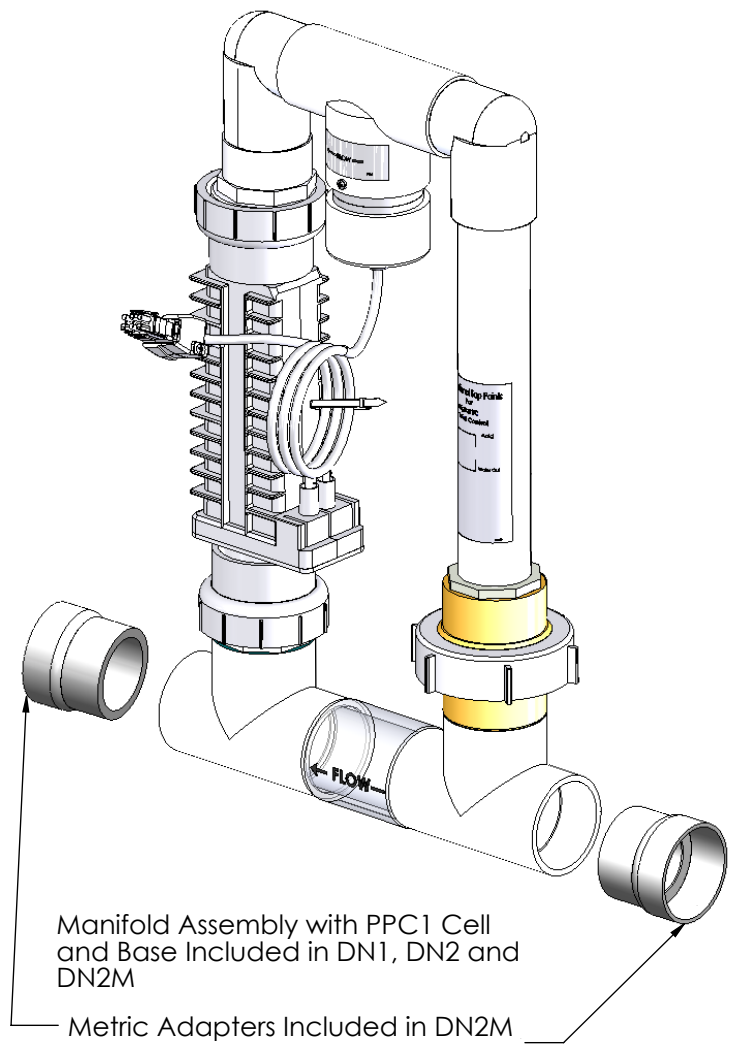
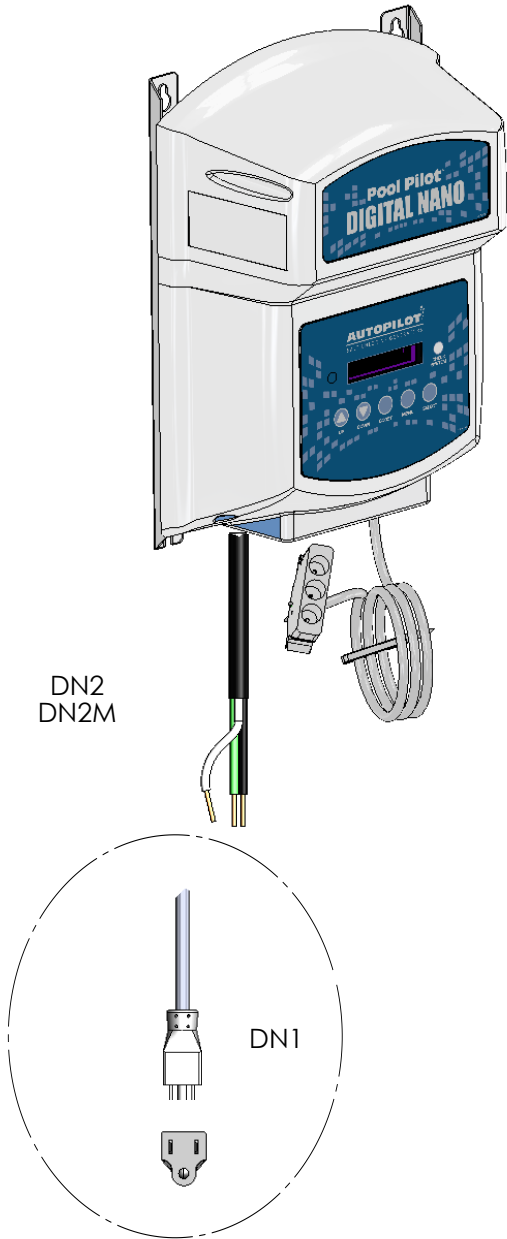


DIGITAL NANO SYSTEMS

Digital Nano

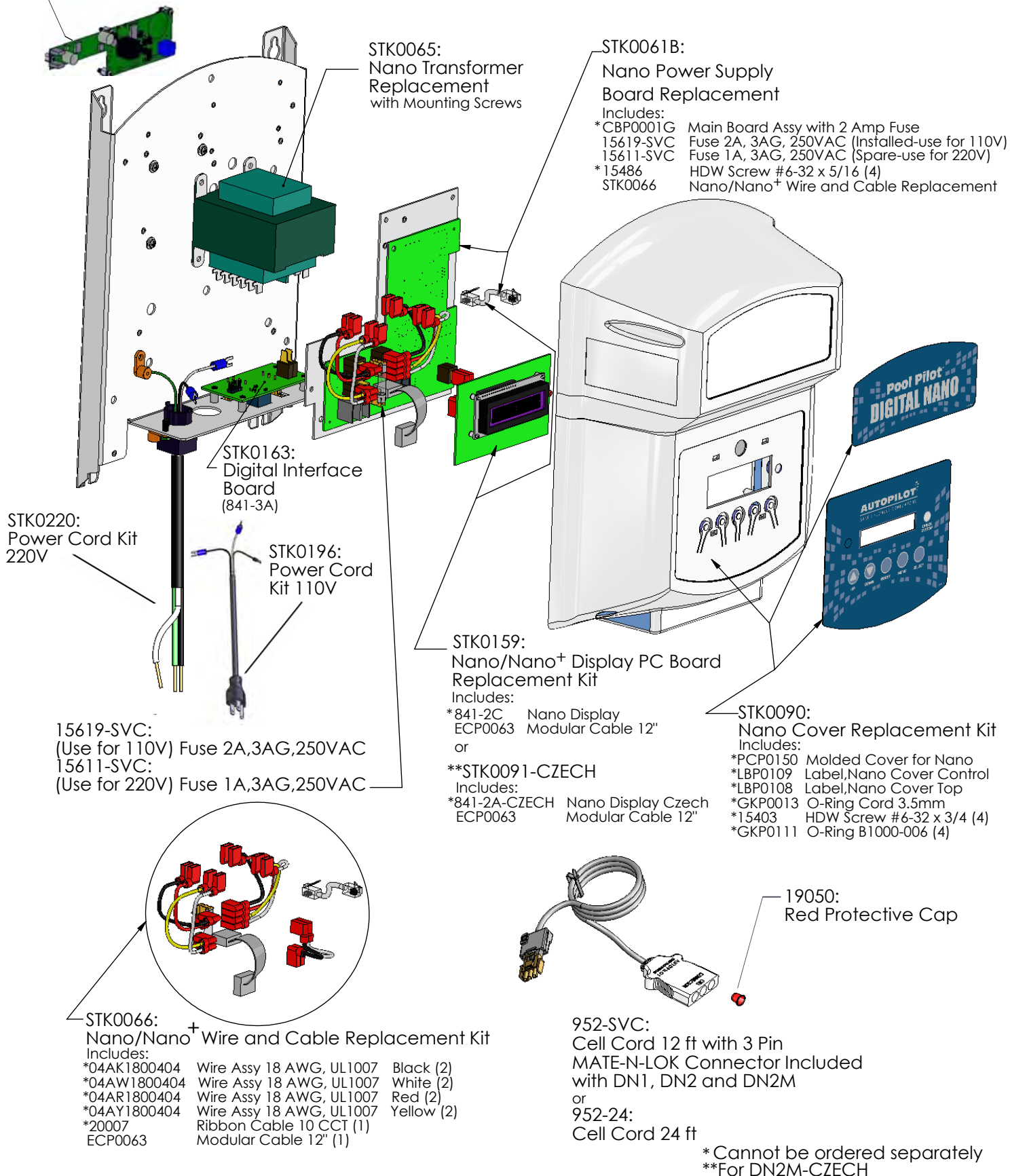


PART #	DESCRIPTION
DN1	Digital Nano, 115V with PPM1 Manifold, Eng, Esp, Fra, Ger, Ita, Ces Languages
DN2	Digital Nano, 220V with PPM1 Manifold, Eng, Esp, Fra, Ger, Ita, Ces Languages
DN2M	Digital Nano, 220V CE with PPM1M Manifold and Metric Adapters Eng, Esp, Fra, Ger, Ita, Ces Languages

Digital Nano

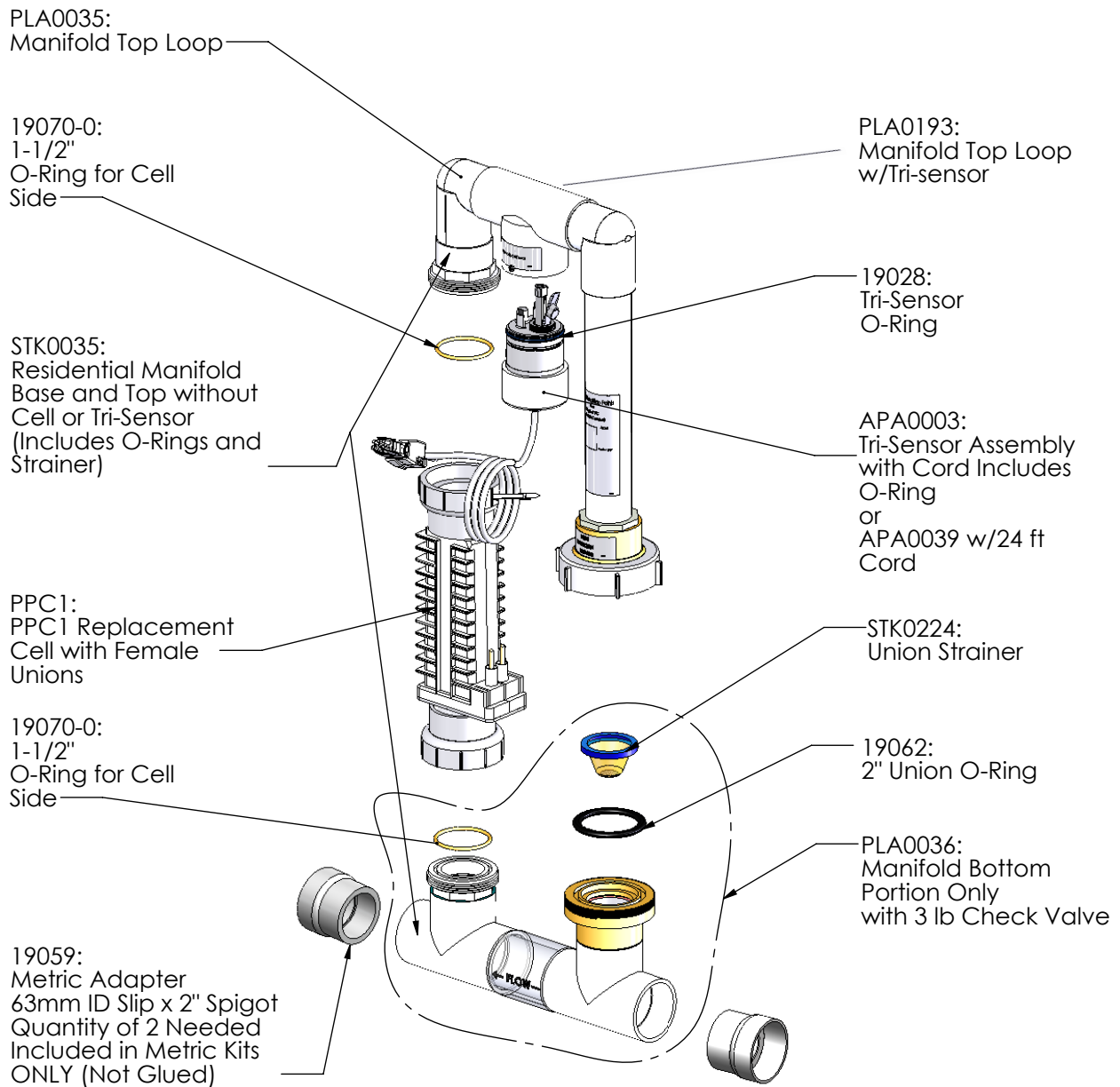
STK0156:
Kit for Nano Expansion Board:
See pg. 46 for parts breakdown

DIGITAL NANO Power Supply Parts



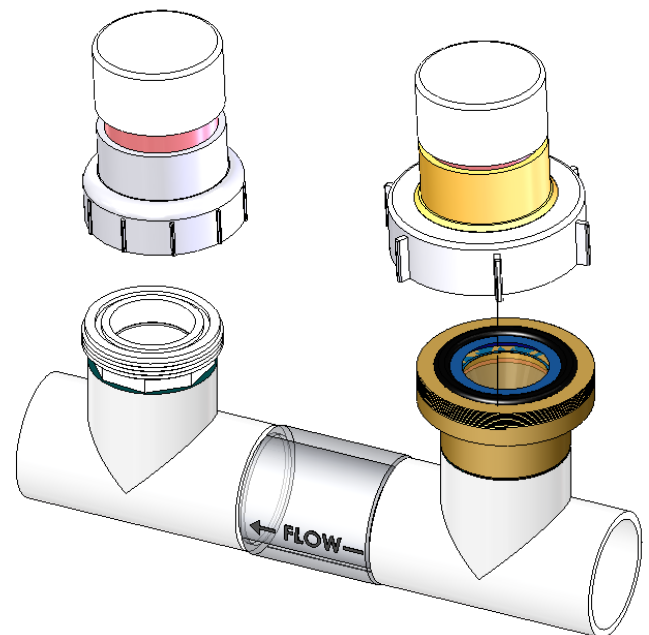
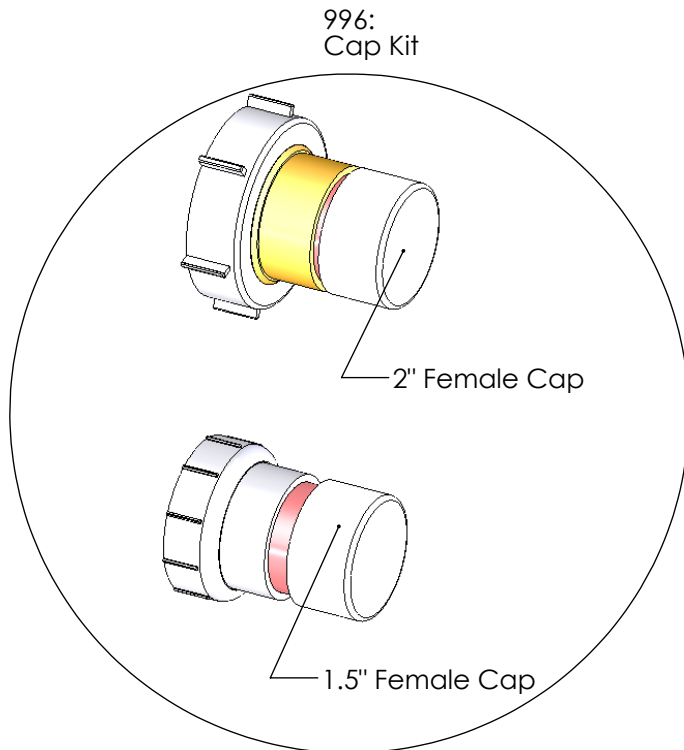
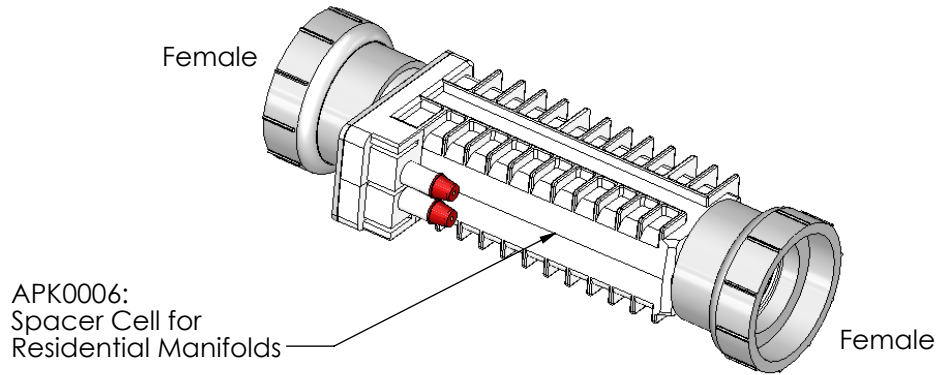
SINGLE SYSTEM MANIFOLDS

Digital Nano

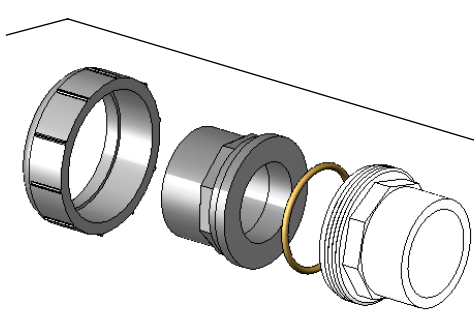


PART #	DESCRIPTION
PPM1	Manifold Assy with PPC1 Cell
PPM1M	Manifold Assy with PPC1 Cell and Metric Adapters

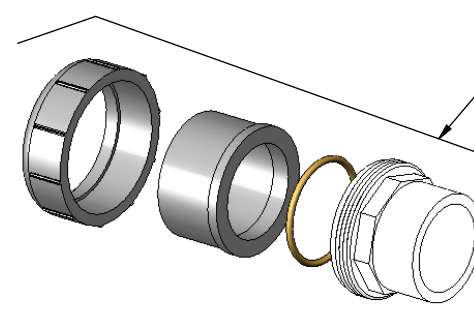
Digital Nano MANIFOLD ACCESSORIES/TOOLS



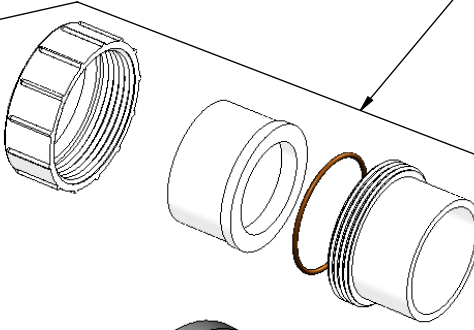
MANIFOLD ACCESSORIES/TOOLS Digital Nano



19073:
 Union Kit
 Includes:
 312-A-SVC Union Nut
 312-F Union Half, 2" Spigot/1.5" Slip X Female Union
 19070-0 1-1/2" O-Ring
 312-C-SVC Union Half, 1.5" Slip/2" Spigot x Male Thread Union

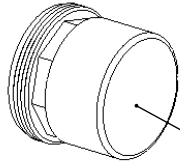


19070:
 Union Kit
 Includes:
 312-A-SVC Union Nut
 312-B-SVC Union Half, 2" Slip x Female Union
 19070-0 1-1/2" O-Ring
 312-C-SVC Union Half, 1.5" Slip/2" Spigot x Male Thread Union

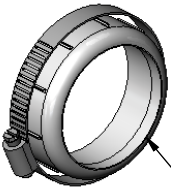


PLS2627:
 Union Kit
 Includes:
 312-A-SVC Union Nut
 312-B-SVC Union Half, 2" Slip x Female Union
 312-D Union Half, 2" Slip x Male Thread Union (with O-Ring 19069-0)

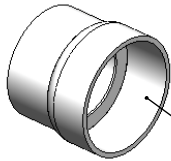
or
 PLS0001:
 Union Kit-Pack of 10 PLS2627



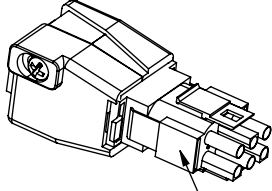
PLA0113:
 Cell Cleaning
 Kit (Male)



STK0048:
 Cracked Union Nut
 Service Kit



19059:
 Metric Adapter
 63mm ID Slip x 2" Spigot
 Quantity of 2 Needed
 Included in Metric Kits
 ONLY (Not Glued)



986-ST:
 Tri-Sensor Simulator
 (Simulates APA0003)