



## Parts Breakdown Catalog



# Table of Contents

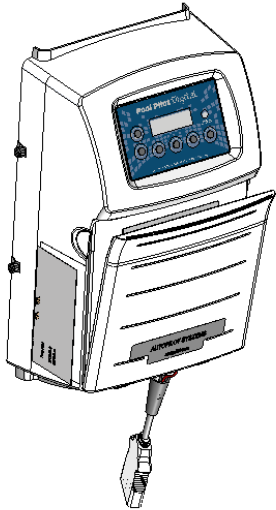
<b>DIG-220 Digital Systems</b>	<b>1</b>
Power Supply Parts	2-3
Power Supply Accessories	4
Single System Manifold	5
Multiple System Manifold	6
Cell Options	7
Manifold Accessories/Tools	8-10
<b>ST-220 Soft Touch Systems</b>	<b>11</b>
Power Supply Parts	12-13
Power Supply Accessories	14
Single System Manifold	15
Multiple System Manifold	16
Cell Options	17
Manifold Accessories/Tools	18-20
<b>Pool Pilot® Professional Systems</b>	<b>21</b>
Power Supply Parts	22
Pool Pilot® Professional Convection System	23
Convection System Power Supply Parts	24
Power Supply Accessories	25
Professional System Manifold	26
Cell Options	27
Manifold Accessories/Tools	28-29
<b>Digital Nano Systems</b>	<b>31</b>
Power Supply Parts	32
Single System Manifold	33
Manifold Accessories/Tools	34-35
<b>Digital Nano+ Systems</b>	<b>37</b>
Power Supply Parts	38
Single System Manifold	39
Manifold Accessories/Tools	40-41
<b>Nano PCC Systems</b>	<b>43</b>
Nano With Pool Chemistry Controller	44-45
Power Supply Parts	46
Pool Chemistry Controller Parts	47-49
Single System Manifold	50
Manifold Accessories/Tools	51-52
<b>Nano+ PCC Systems</b>	<b>53</b>
Nano+ With Pool Chemistry Controller	54-55
Power Supply Parts	56
Pool Chemistry Controller Parts	57-59
Single System Manifold	60
Manifold Accessories/Tools	61-62

# Table of Contents

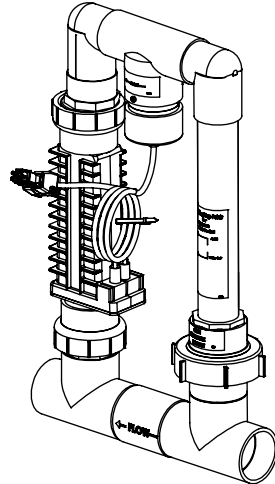
<b>Total Control Systems</b>	<b>63</b>
75003 Power Supply Parts	64-65
Single System Manifold	66
Multiple System Manifold	67
Cell Options	68
Manifold Accessories/Tools	69-70
75001 Pool Chemistry Controller Parts	71-72
Stenner Pump Systems	73
Stenner System Accessories	74-75
<b>CoPilot® Systems</b>	<b>77</b>
CoPilot® with Digital Nano Systems (COP-A)	78
CoPilot® XL with DIG-220 Systems (COP-B)	79
CoPilot® Upgrade Kits (COP-A & COP-B)	80
CoPilot® Power Supply Parts	81
CoPilot® Manifold	82
Cell Options	83
Accessories/Tools	84
<b>Eco Nano Systems</b>	<b>85</b>
Power Supply Parts	86
Eco Nano Inline Cell with Flow Switch	87
<b>AG Systems</b>	<b>89</b>
Power Supply Parts	89
AG Plumbing Options	90-91
<b>AquaClean Robotic Pool Cleaners</b>	<b>93</b>
AquaClean Plus (ACLEAN5)	94
AquaClean1 & EZ Parts	95
<b>XVAC Suction Pool Cleaner</b>	<b>97</b>
<b>JB Fittings</b>	<b>99-103</b>
<b>Index by Part Number</b>	<b>105-111</b>

# DIG-220

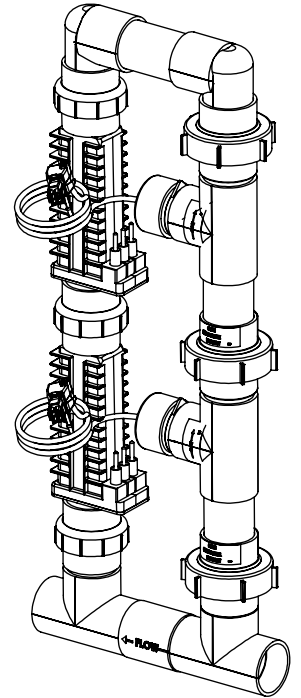
Digital



DIG-220



Single System Manifold



Dual System Manifold

## Power Supply

PART #	DESCRIPTION
DIG-220	Digital Power Supply Eng, Esp, Fra, Ita Languages
DIG-220CE	Digital Power Supply CE Version Eng, Esp, Fra, Ita Languages
DIG-220CE-GERMAN	Digital Power Supply Ger, Eng, Esp, Fra, Ita Languages

## Single System Manifold Types

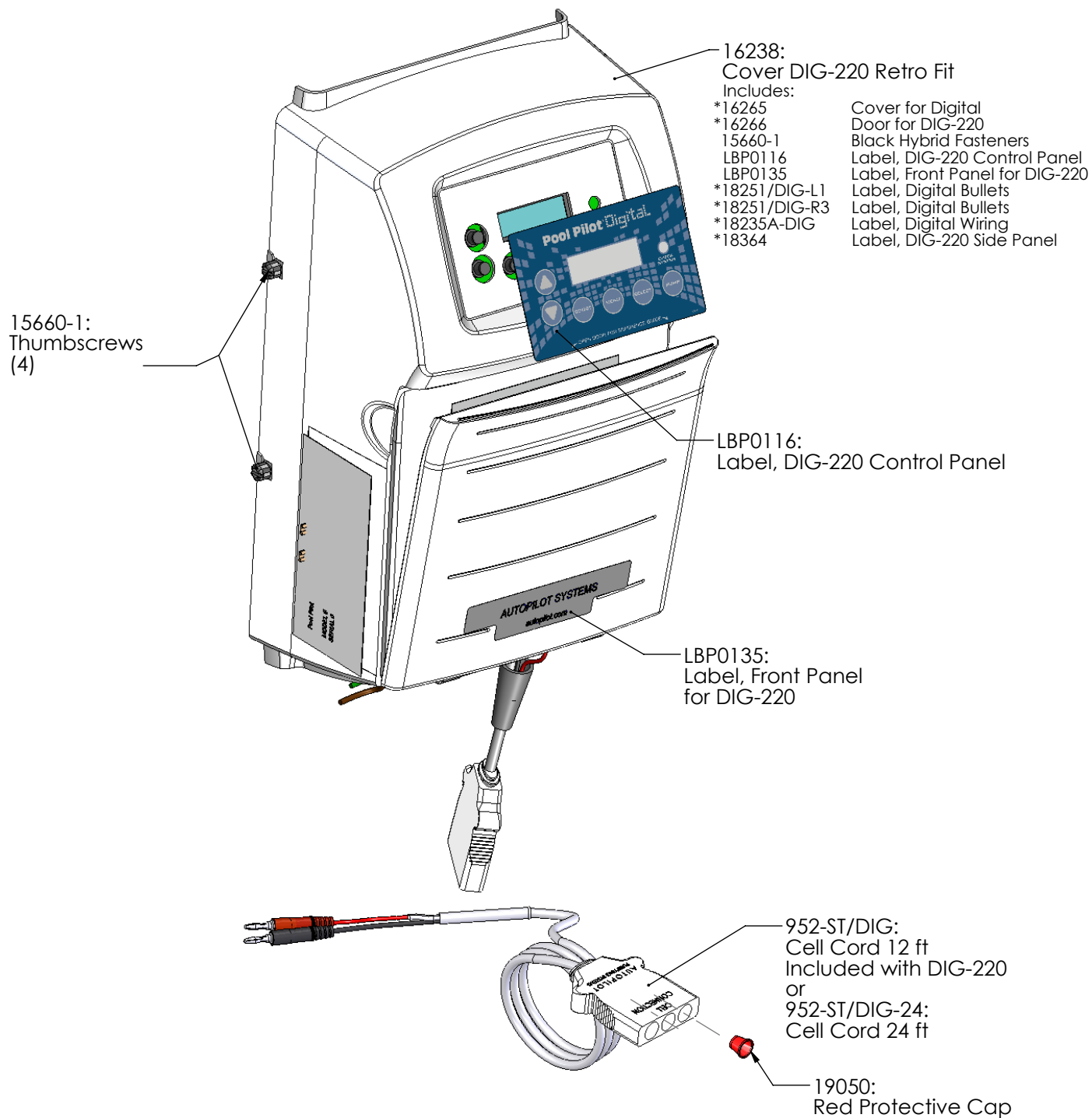
PART #	DESCRIPTION	PAGE #
PPM1	Manifold Assy with PPC1 Cell	5
PPM3	Manifold Assy with PPC3 Cell	5
PPM4	Manifold Assy with PPC4 Cell	5
PPM5	Manifold Assy with PPC5 Cell	5
PPM1M	Manifold Assy with PPC1 Cell and Metric Adapters	5
PPM3M	Manifold Assy with PPC3 Cell and Metric Adapters	5
PPM4M	Manifold Assy with PPC4 Cell and Metric Adapters	5
PPC5M	Manifold Assy with PPC5 Cell and Metric Adapters	5
APK0006	Spacer Cell for Maintenance	9

## Dual System Manifold Types

PART #	DESCRIPTION	PAGE #
941-215C-A	Manifold Commercial	6
938-SC	Spacer Cell	9

Digital

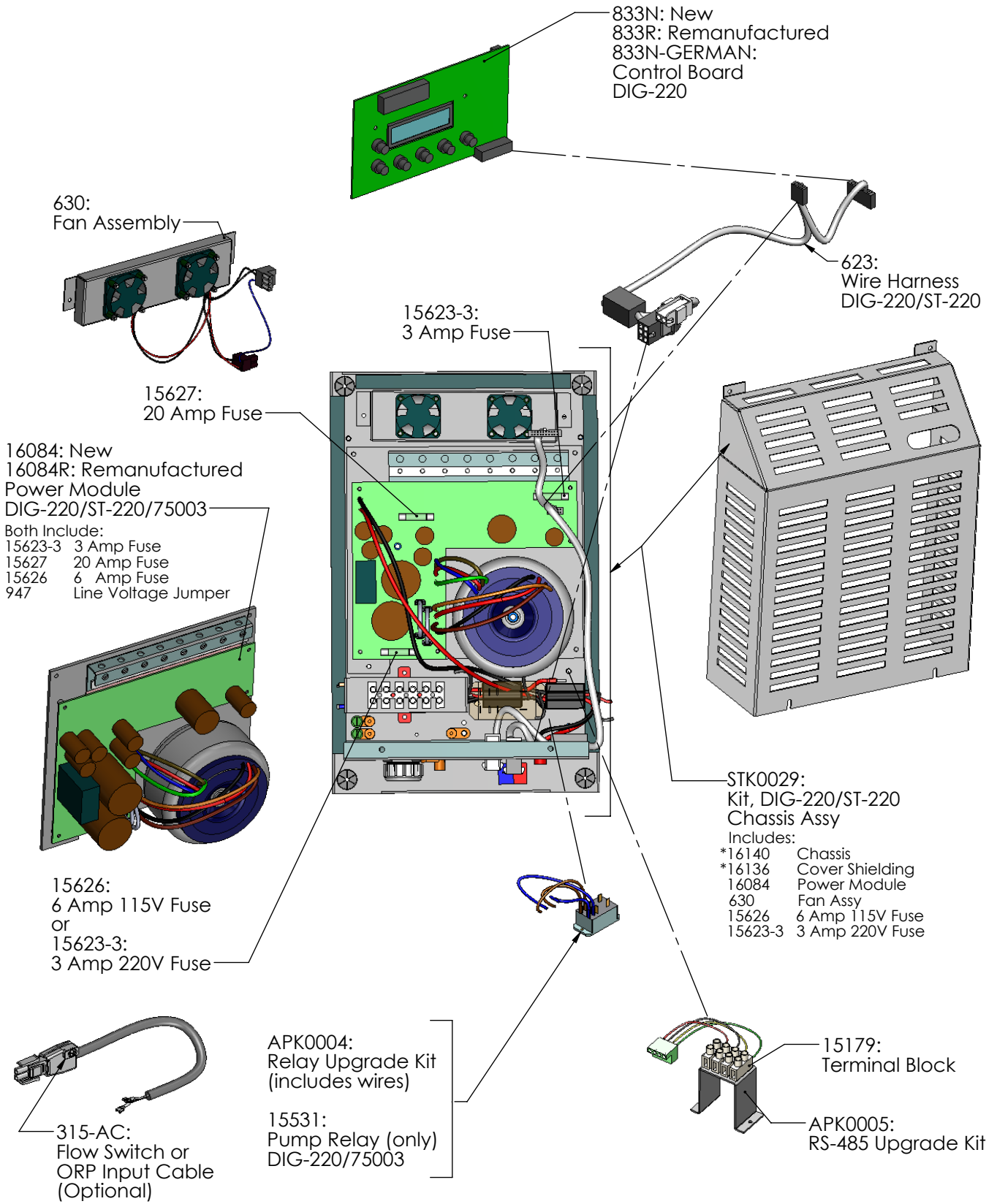
# DIG-220 Power Supply Parts



\*Cannot be ordered separately

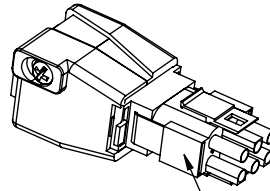
# DIG-220 Power Supply Parts

Digital

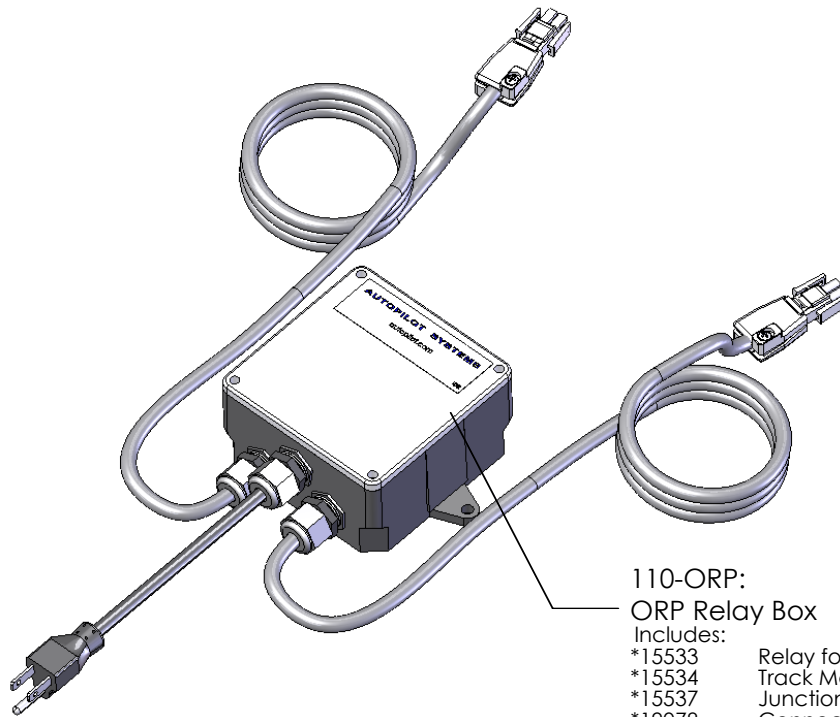


\*Cannot be ordered separately

# POWER SUPPLY ACCESSORIES



986-ST:  
Tri-Sensor Simulator  
(Simulates APA0003)



110-ORP:  
ORP Relay Box

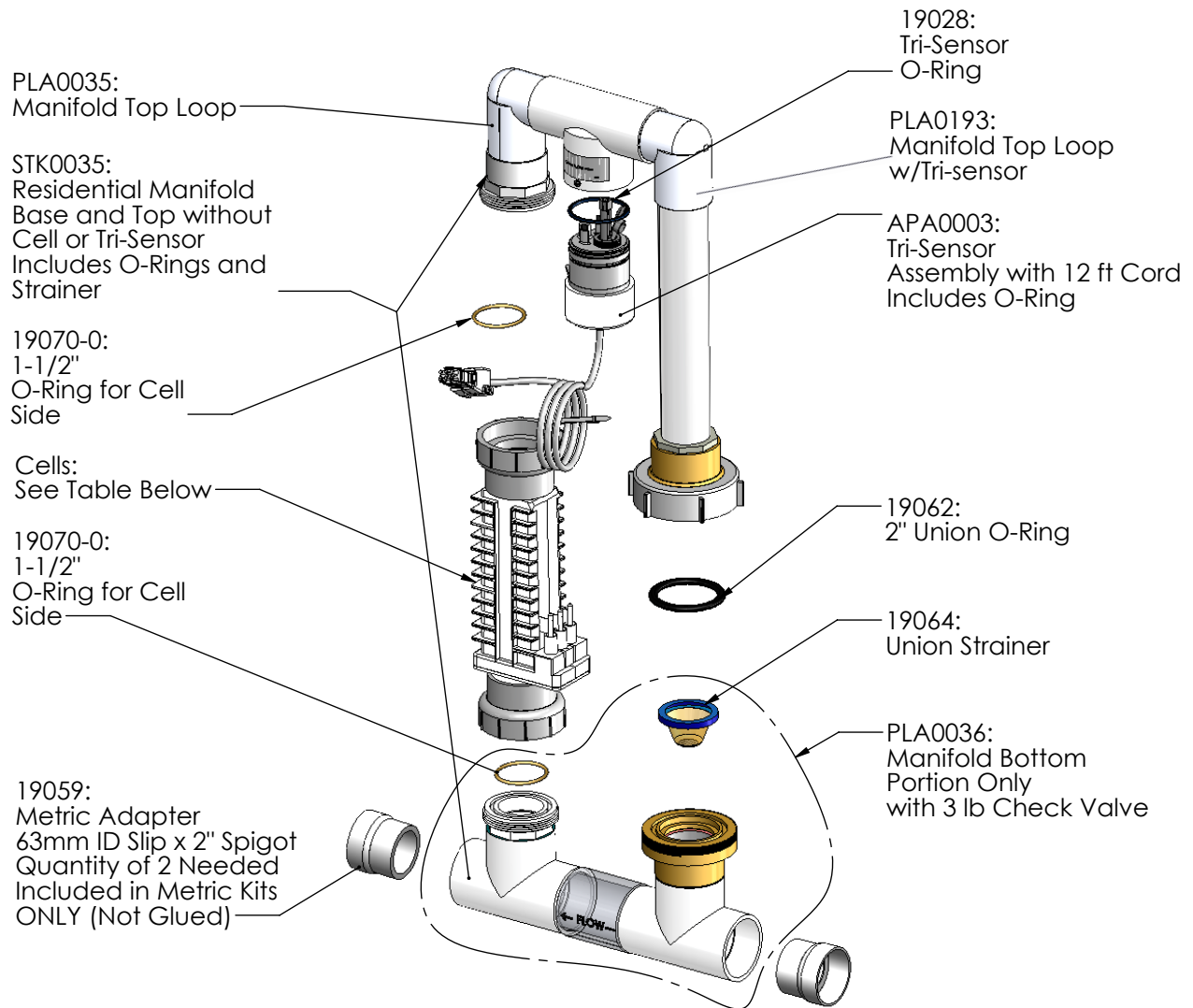
- Includes:
- \*15533 Relay for ORP
  - \*15534 Track Mount Socket
  - \*15537 Junction Box 4x4x2
  - \*19078 Connector Cable Clamp
  - \*19078N Nut for Cable Clamp
  - \*ECA0085 Flow Switch Cable Assy (12 ft),2X
  - \*17220 Cord 110V #16 AWG (6 ft)
  - \*15402-1 Screw(s) #6-32 x 1/4 PPMS S
  - \*ECP0069 Cable Clamp

\*Cannot be ordered separately



# SINGLE SYSTEM MANIFOLDS

Digital

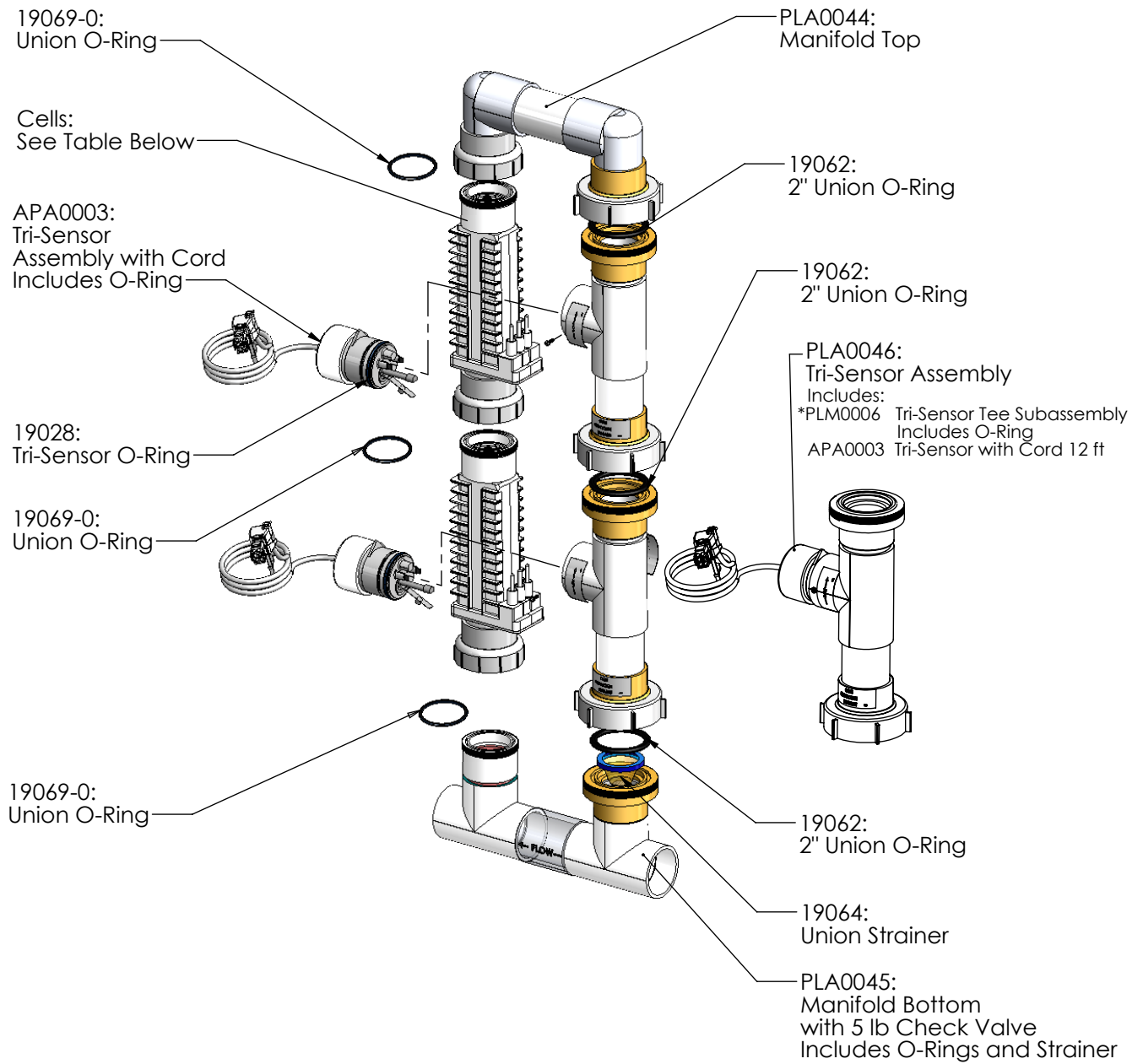


PART #	DESCRIPTION	PAGE
PPM1	Manifold Assy with PPC1 Cell	7
PPM3	Manifold Assy with PPC3 Cell	7
PPM4	Manifold Assy with PPC4 Cell	7
PPM5	Manifold Assy with PPC5 Cell	7
PPM1M	Manifold Assy with PPC1 Cell and Metric Adapters	7
PPM3M	Manifold Assy with PPC3 Cell and Metric Adapters	7
PPM4M	Manifold Assy with PPC4 Cell and Metric Adapters	7
PPM5M	Manifold Assy with PPC5 Cell and Metric Adapters	7
APK0006	Spacer Cell for Maintenance	9

Digital

# MULTIPLE SYSTEM MANIFOLD

## For Use with Dual Power Supply Systems



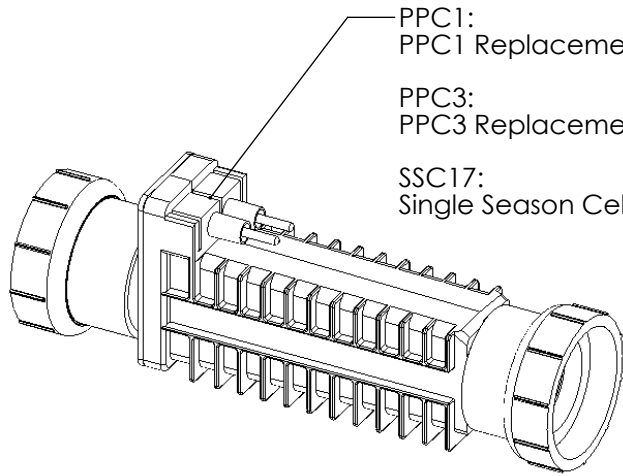
Part #	DESCRIPTION	PAGE #
941-215C-A	Manifold Commercial with 2 PPC5MF Cells	7
ALL	Spacer Cell for Maintenance	9

To convert from dual to triple system, add PLA0046, PPC5MF and Power Supply of choice, ST-220/DIG-220/75003, typically ST-220 is used.

\*Cannot be ordered separately

# CELL OPTIONS

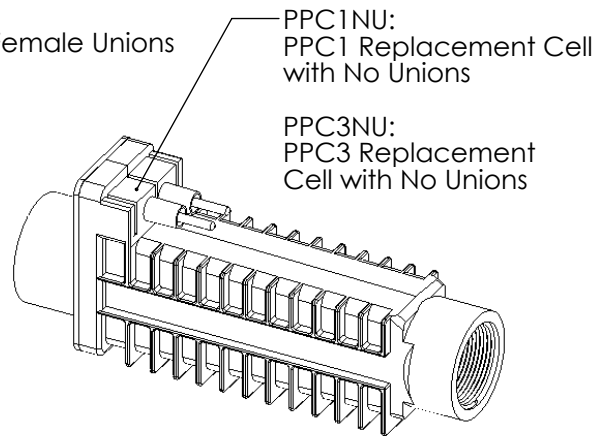
Digital



PPC1:  
PPC1 Replacement Cell with Female Unions

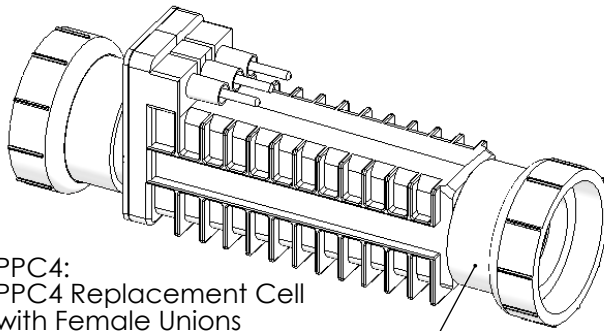
PPC3:  
PPC3 Replacement Cell with Female Unions

SSC17:  
Single Season Cell with Female Unions



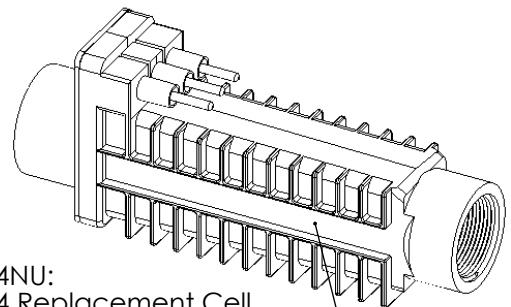
PPC1NU:  
PPC1 Replacement Cell  
with No Unions

PPC3NU:  
PPC3 Replacement  
Cell with No Unions



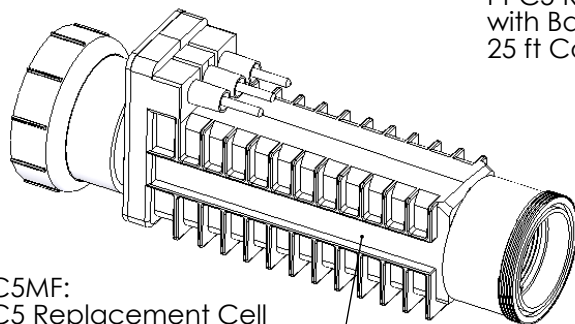
PPC4:  
PPC4 Replacement Cell  
with Female Unions

PPC5:  
PPC5 Replacement Cell  
with Female Unions  
(Commercial)  
for Single Cell Manifold



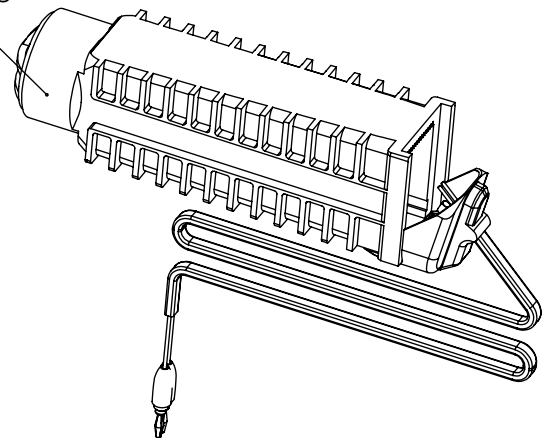
PPC4NU:  
PPC4 Replacement Cell  
with No Unions

PPC5NU:  
PPC5 Replacement Cell with  
No Unions (Commercial)



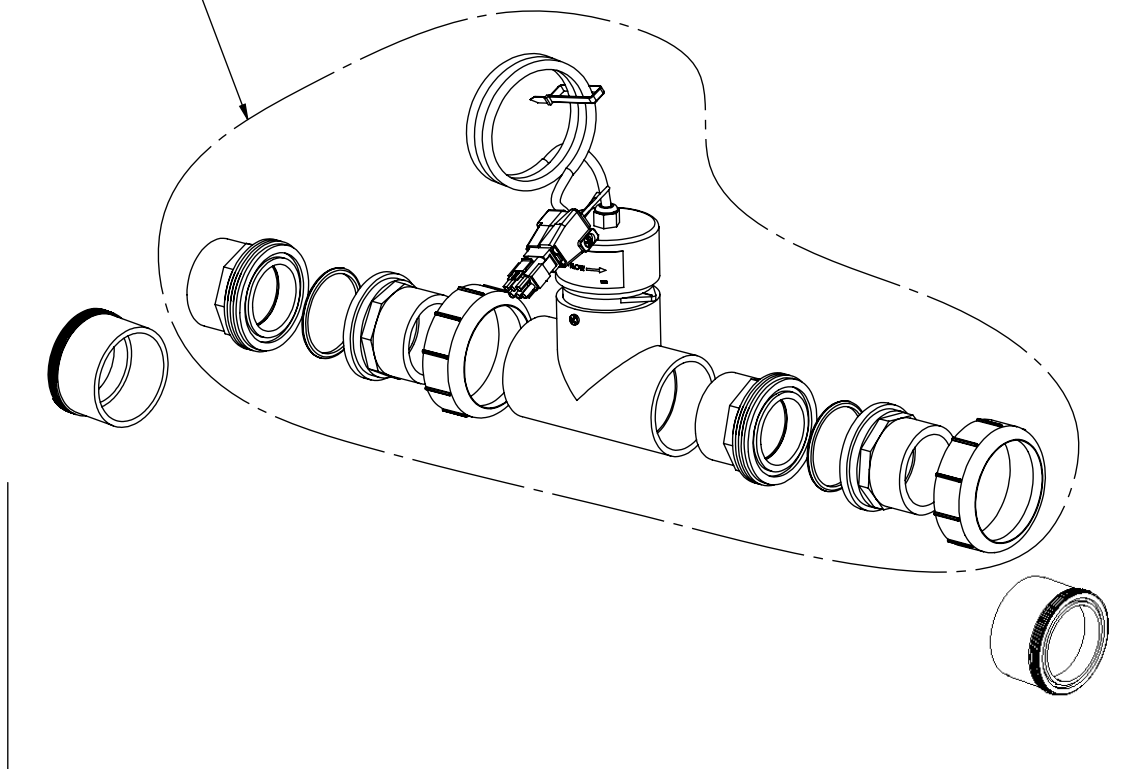
PPC5MF:  
PPC5 Replacement Cell  
Male/Female Unions  
(Commercial)  
for Multiple Cell Manifold  
Includes O-Ring

PPC5BPCC25:  
PPC5 Replacement Cell Convection  
with Banana Plugs  
25 ft Cord



# MANIFOLD ACCESSORIES/TOOLS

- APK0038:  
Tri-Sensor Assy for Convection Cell Applications  
Includes:  
401-020 2" T Slip x Slip x Slip  
312-A Union Nut  
312-F 2" Spigot/1.5" Slip X Female Union  
312-C Union Half, 1.5" Slip/2" Spigot x Male Thread Union  
\*15405 HDW Screw #6x1/2 PPSMS SS  
APA0003 Tri-Sensor with Cord Assy 12 ft

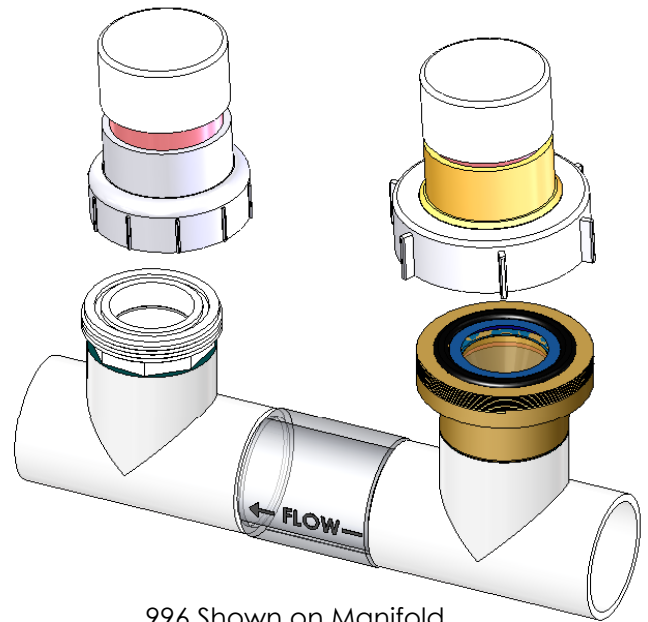
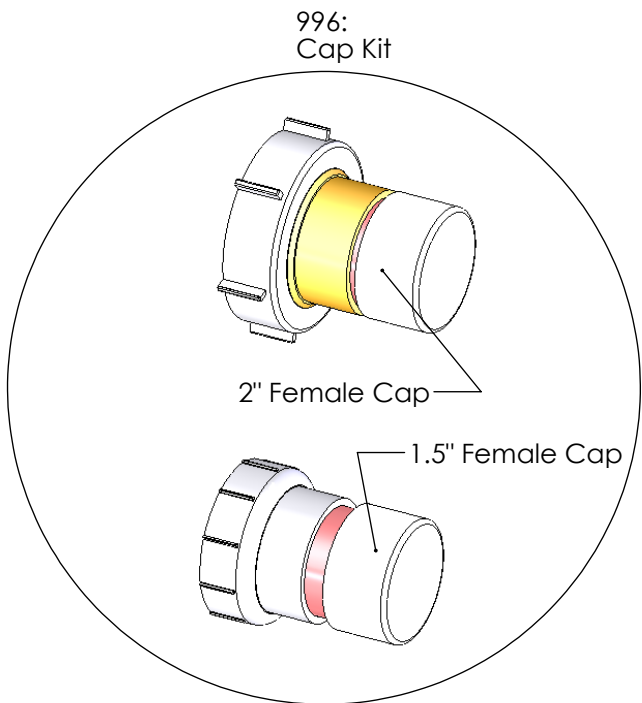
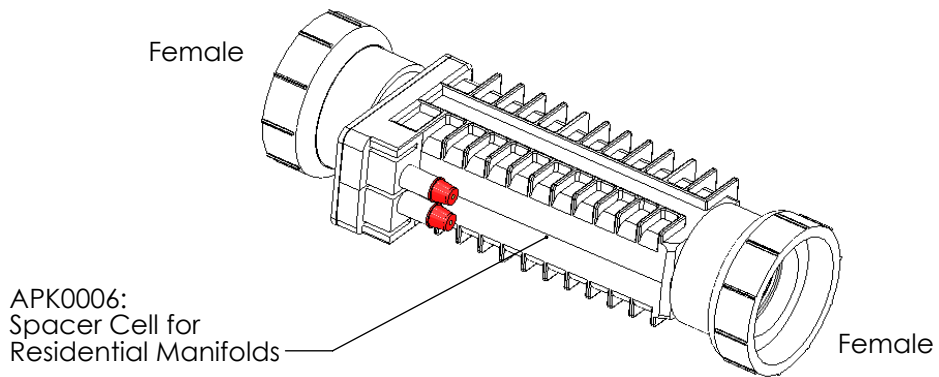
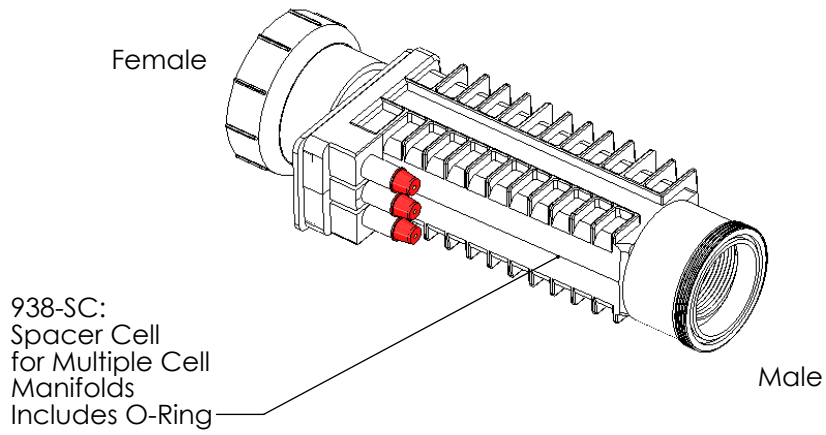


- APA0065:  
Inline Conversion Kit  
Same as APK0038 Kit Above but with Additional Two 312-D  
Union Halves, 2 S x MT Union

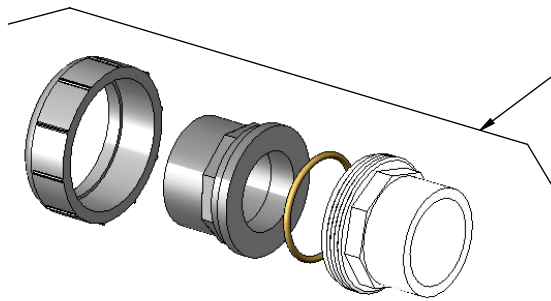
\*Cannot be ordered separately

# MANIFOLD ACCESSORIES/TOOLS

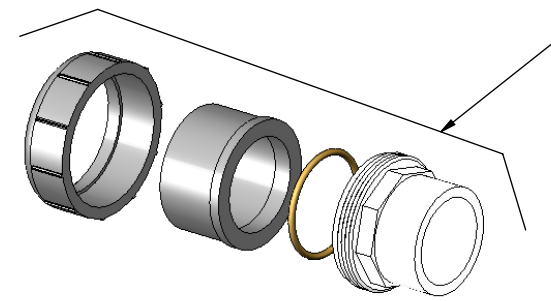
Digital



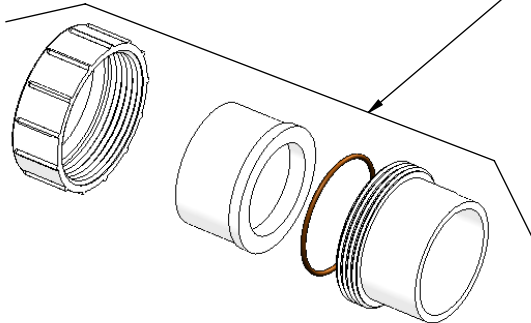
# MANIFOLD ACCESSORIES/TOOLS



19073:  
Union Kit  
Includes:  
312-A Union Nut  
312-F Union Half, 2" Spigot/1.5" Slip X Female Union  
19070-0 1-1/2" O-Ring  
312-C Union Half, 1.5" Slip/2" Spigot x Male Thread Union



19070:  
Union Kit  
Includes:  
312-A Union Nut  
312-B Union Half, 2" Slip x Female Union  
19070-0 1-1/2" O-Ring  
312-C Union Half, 1.5" Slip/2" Spigot x Male Thread Union

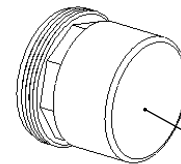


PLS2627:  
Union Kit  
Includes:  
312-A Union Nut  
312-B Union Half, 2" Slip x Female Union  
312-D Union Half, 2" Slip x Male Thread Union  
(with O-Ring 19069-0)

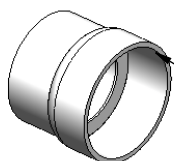
or  
PLS0001:  
Union Kit-Pack of 10 PLS2627



STK0048:  
Cracked Union Nut  
Service Kit



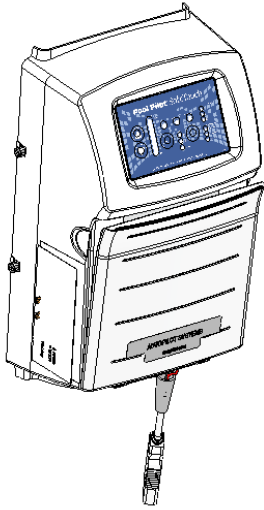
PLA0113:  
Cell Cleaning  
Kit (Male)



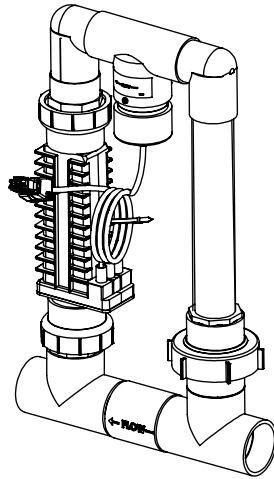
19059:  
Metric Adapter  
63mm ID Slip x 2" Spigot  
Quantity of 2 Needed  
Included in Metric Kits  
ONLY (Not Glued)

# ST-220

Soft Touch



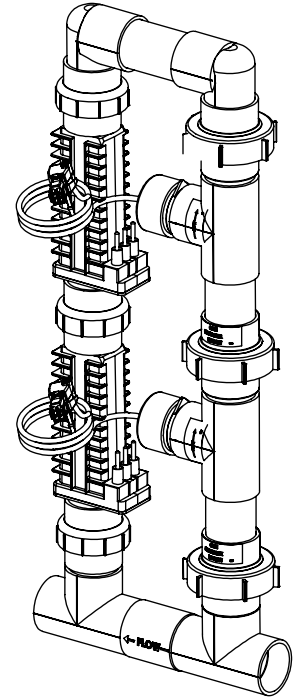
ST-220



Single System Manifold

### Power Supply

PART #	DESCRIPTION
ST-220	Soft Touch Power Supply
ST-220CE	Digital Power Supply CE Version



Dual System Manifold

### Single System Manifold Types

PART #	DESCRIPTION	PAGE #
PPM1	Manifold Assy with PPC1 Cell	15
PPM3	Manifold Assy with PPC3 Cell	15
PPM4	Manifold Assy with PPC4 Cell	15
PPM5	Manifold Assy with PPC5 Cell	15
PPM1M	Manifold Assy with PPC1 Cell and Metric Adapters	15
PPM3M	Manifold Assy with PPC3 Cell and Metric Adapters	15
PPM4M	Manifold Assy with PPC4 Cell and Metric Adapters	15
PPM5M	Manifold Assy with PPC5 Cell and Metric Adapters	15
APK0006	Spacer Cell for Maintenance	19

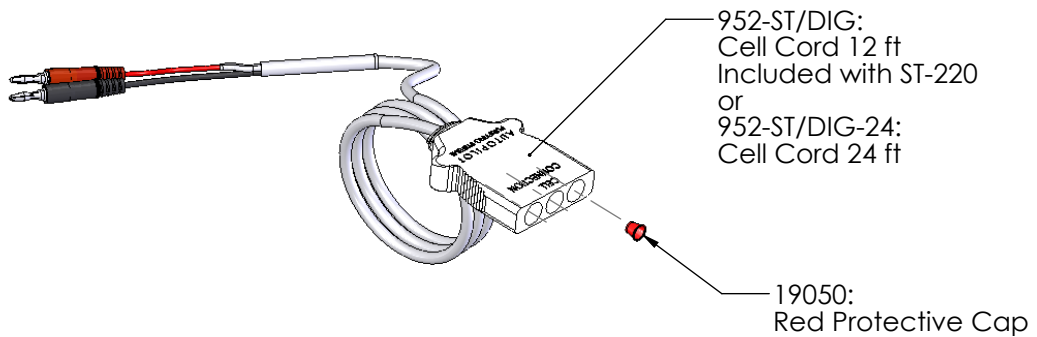
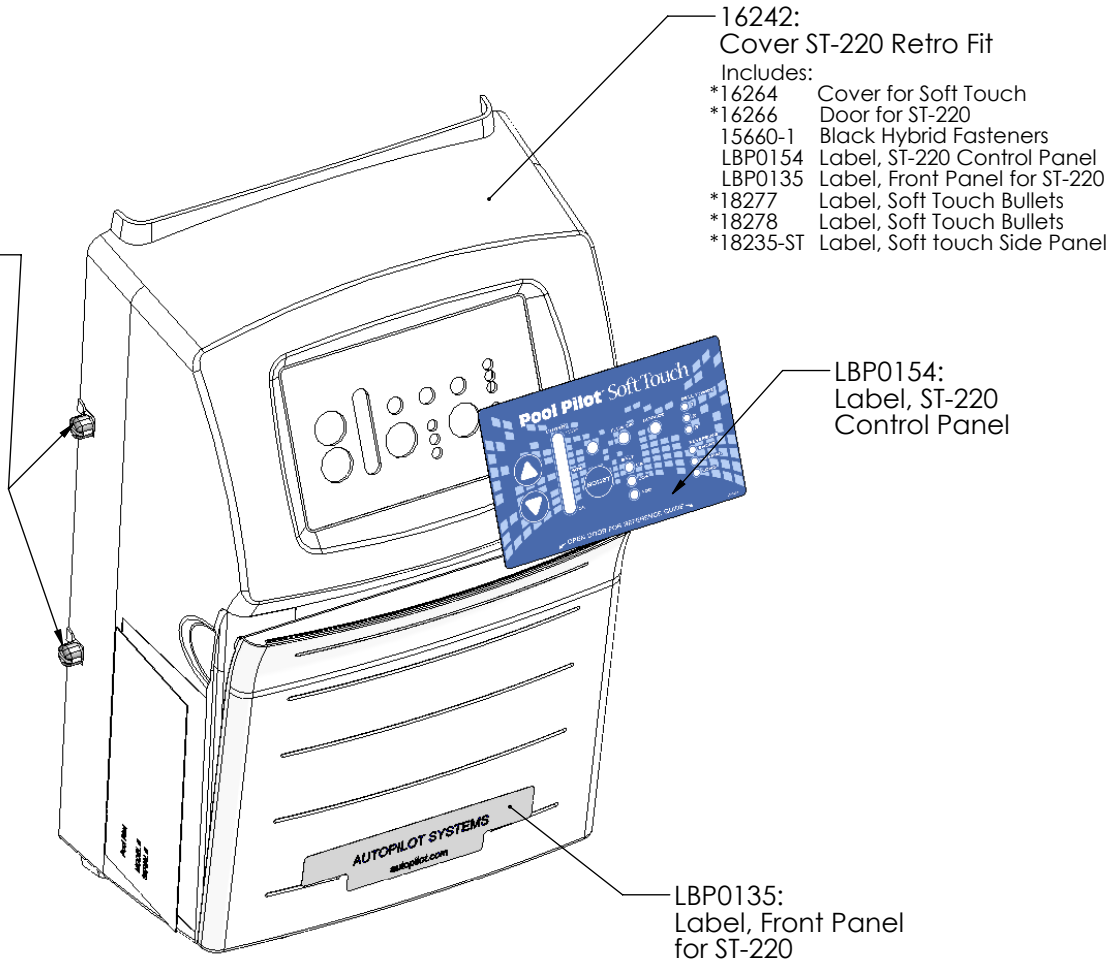
### Dual System Manifold Types

PART #	DESCRIPTION	PAGE #
941-215C-A	Manifold Commercial	16
938-SC	Spacer Cell	19

Soft Touch

# ST-220 Power Supply Parts

15660-1:  
Thumbscrews  
(4)

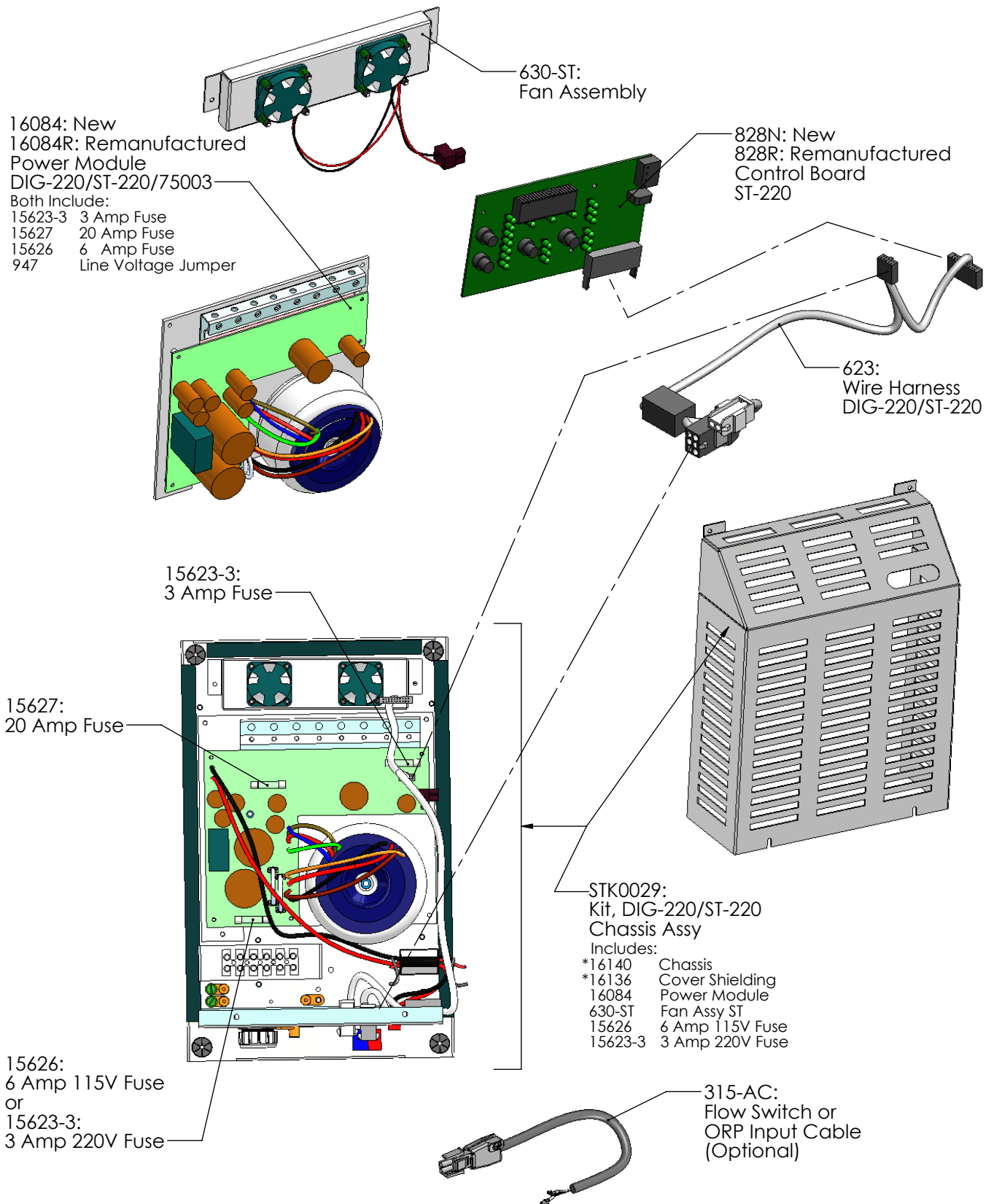


\*Cannot be ordered separately



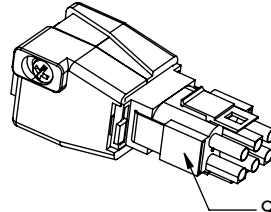
# ST-220 Power Supply Parts

Soft Touch

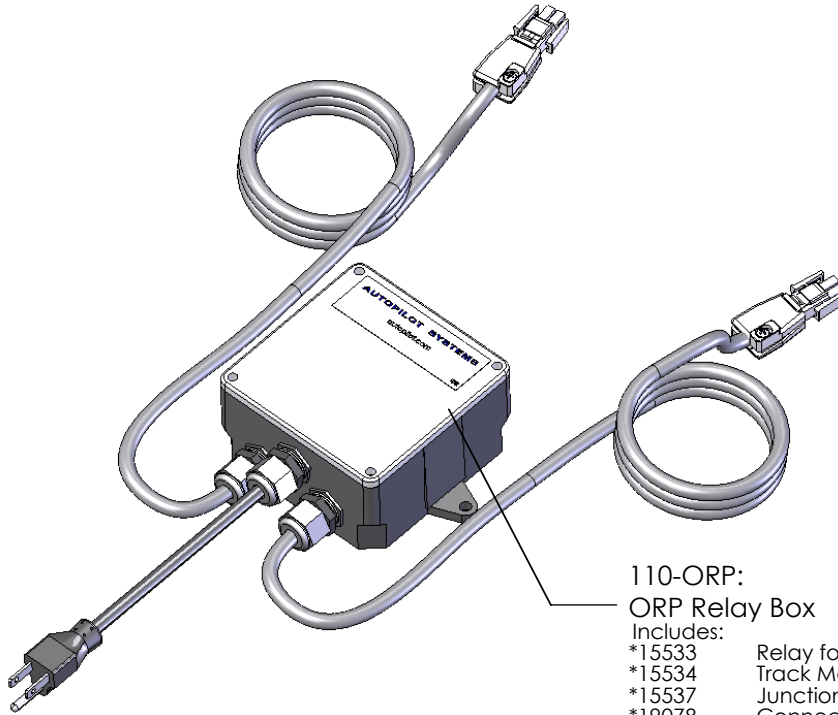


\*Cannot be ordered separately

# POWER SUPPLY ACCESSORIES



986-ST:  
Tri-Sensor Simulator  
(Simulates APA0003)



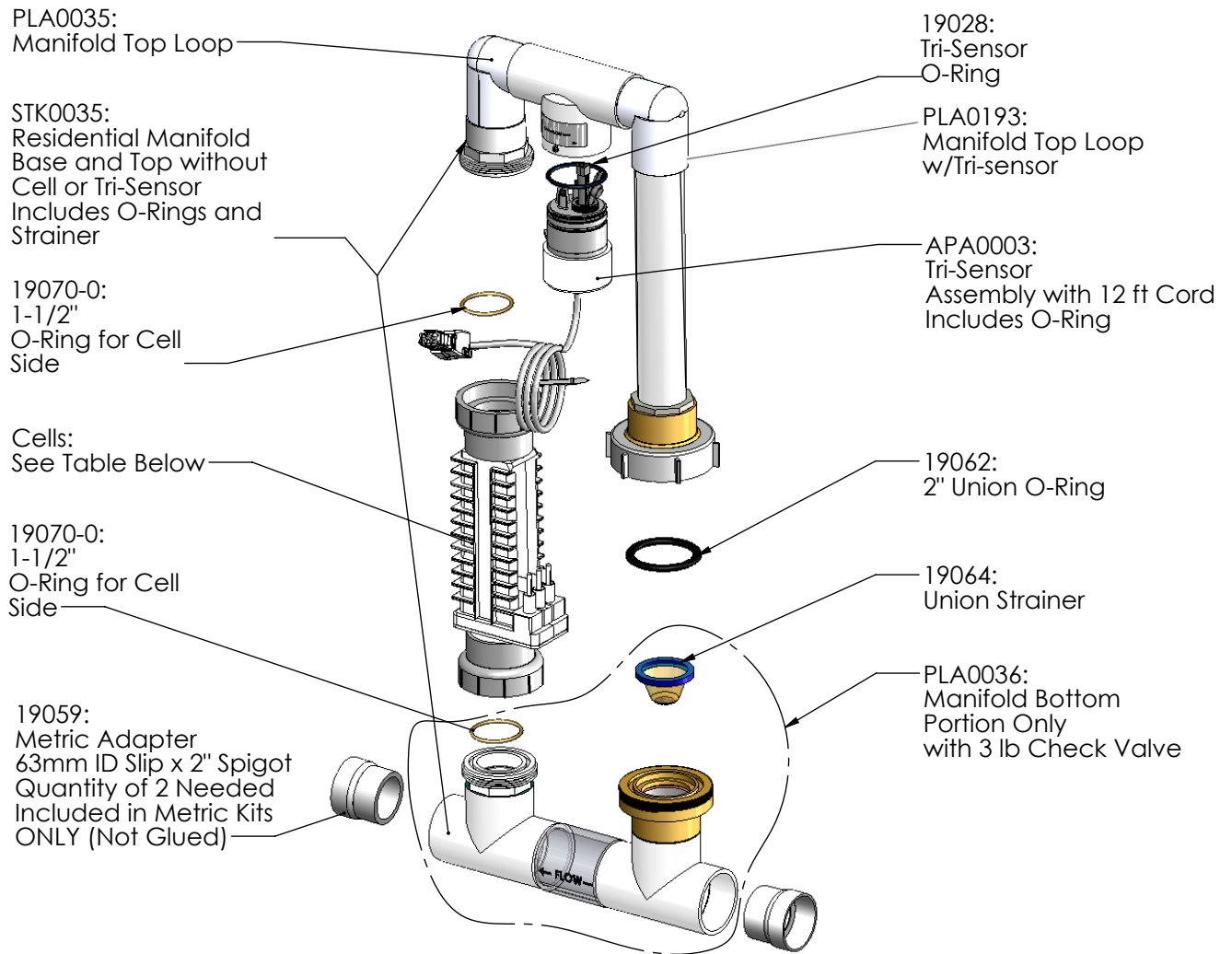
110-ORP:  
ORP Relay Box

- Includes:
- \*15533 Relay for ORP
  - \*15534 Track Mount Socket
  - \*15537 Junction Box 4x4x2
  - \*19078 Connector Cable Clamp
  - \*19078N Nut for Cable Clamp
  - \*ECA0085 Flow Switch Cable Assy (12 ft),2X
  - \*17220 Cord 110V #16 AWG (6 ft)
  - \*15402-1 Screw(s) #6-32 x 1/4 PPMS SS
  - \*ECP0069 Cable Clamp

\*Cannot be ordered separately

# SINGLE SYSTEM MANIFOLDS

Soft Touch

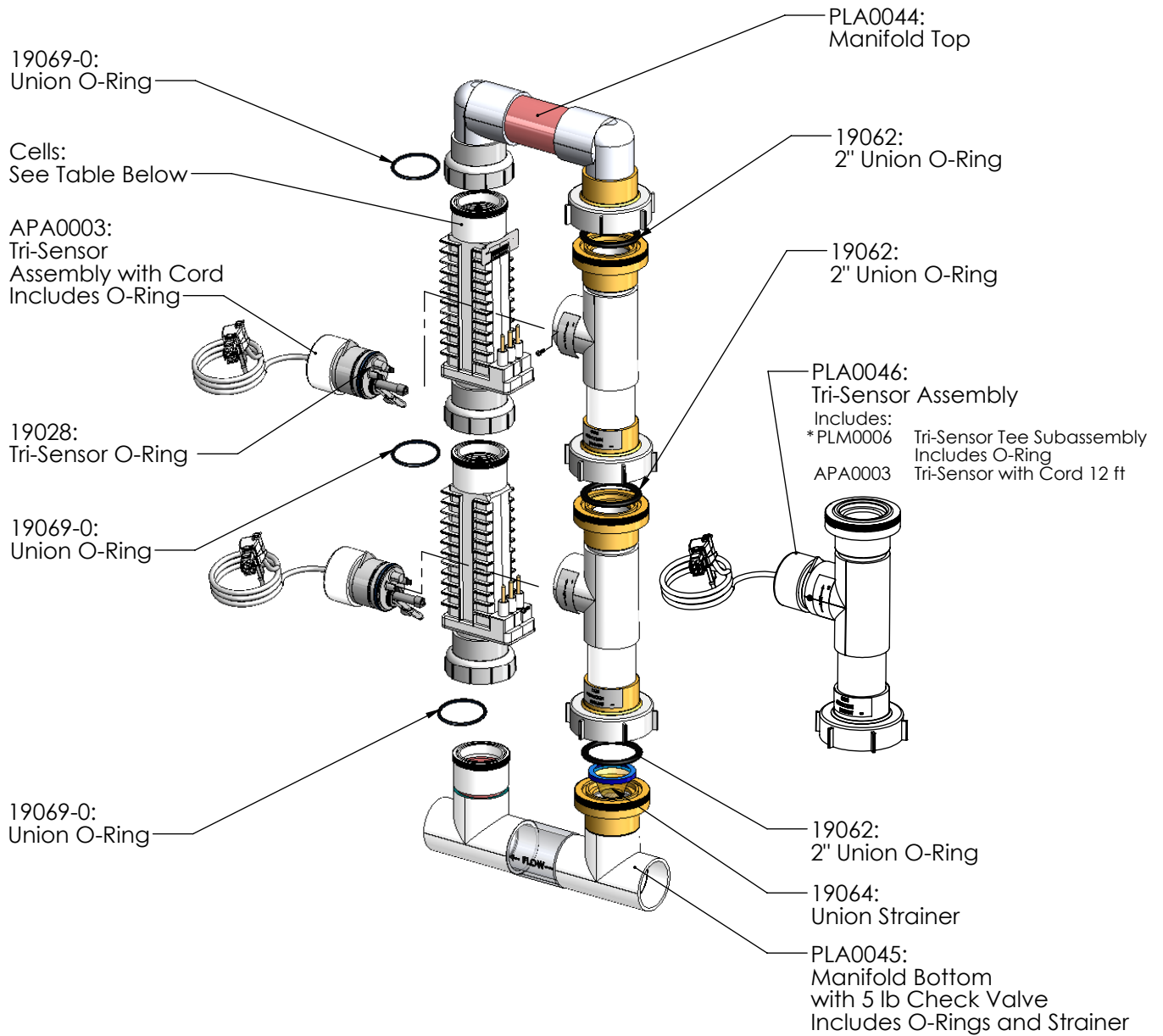


PART #	DESCRIPTION	PAGE #
PPM1	Manifold Assy with PPC1 Cell	17
PPM3	Manifold Assy with PPC3 Cell	17
PPM4	Manifold Assy with PPC4 Cell	17
PPM5	Manifold Assy with PPC5 Cell	17
PPM1M	Manifold Assy with PPC1 Cell and Metric Adapters	17
PPM3M	Manifold Assy with PPC3 Cell and Metric Adapters	17
PPM4M	Manifold Assy with PPC4 Cell and Metric Adapters	17
PPM5M	Manifold Assy with PPC5 Cell and Metric Adapters	17
APK0006	Spacer Cell for Maintenance	19

Soft Touch

# MULTIPLE SYSTEM MANIFOLD

## For Use With Dual Power Supply Systems

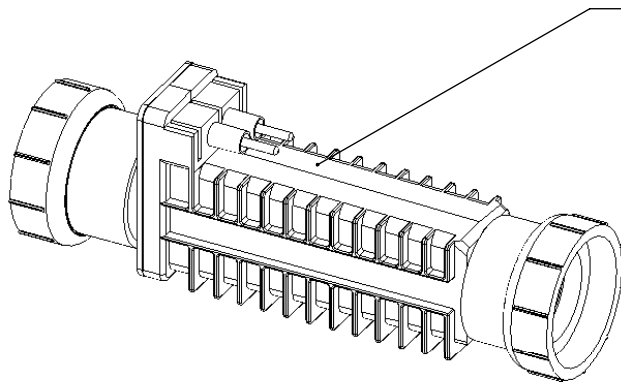


PART #	DESCRIPTION	PAGE #
941-215C-A	Manifold Commercial with 2 PPC5MF Cells	17
938-SC	Spacer Cell for Maintenance	19
To convert from dual to triple system, add PLA0046, PPC5MF and Power Supply of choice, ST-220/DIG-220/75003, typically ST-220 is used.		

\*Cannot be ordered separately

# CELL OPTIONS

Soft Touch



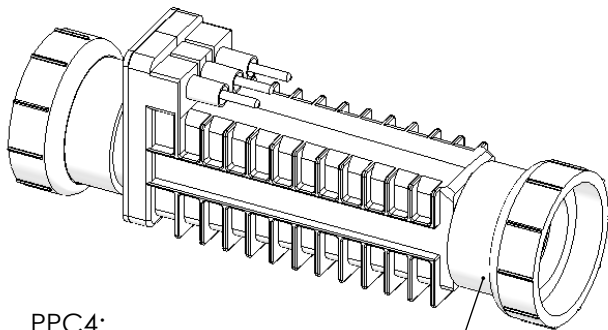
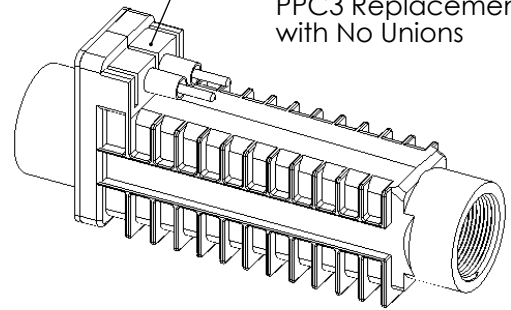
PPC1:  
PPC1 Replacement Cell with Female Unions

PPC3:  
PPC3 Replacement Cell with Female Unions

SSC17:  
Single Season Cell with  
Female Unions

PPC1NU:  
PPC1 Replacement Cell  
with No Unions

PPC3NU:  
PPC3 Replacement Cell  
with No Unions

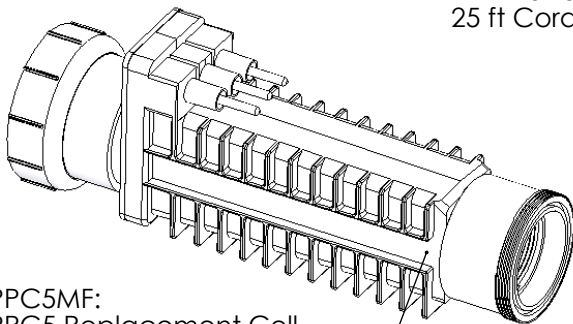
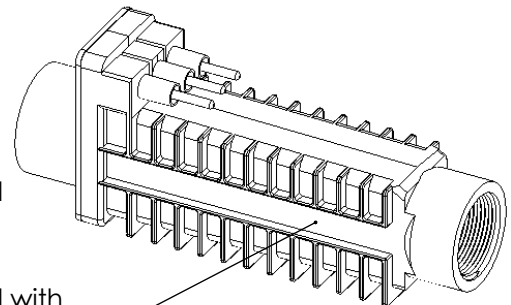


PPC4:  
PPC4 Replacement Cell  
with Female Unions

PPC5:  
PPC5 Replacement Cell  
with Female Unions  
(Commercial  
for Single Cell Manifold)

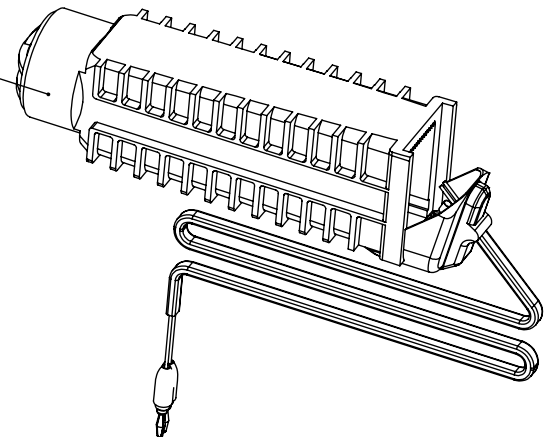
PPC4NU:  
PPC4 Replacement Cell  
with No Unions

PPC5NU:  
PPC5 Replacement Cell with  
No Unions (Commercial)



PPC5MF:  
PPC5 Replacement Cell  
Male/Female Unions  
(Commercial  
for Multiple Cell Manifold  
Includes O-Ring)

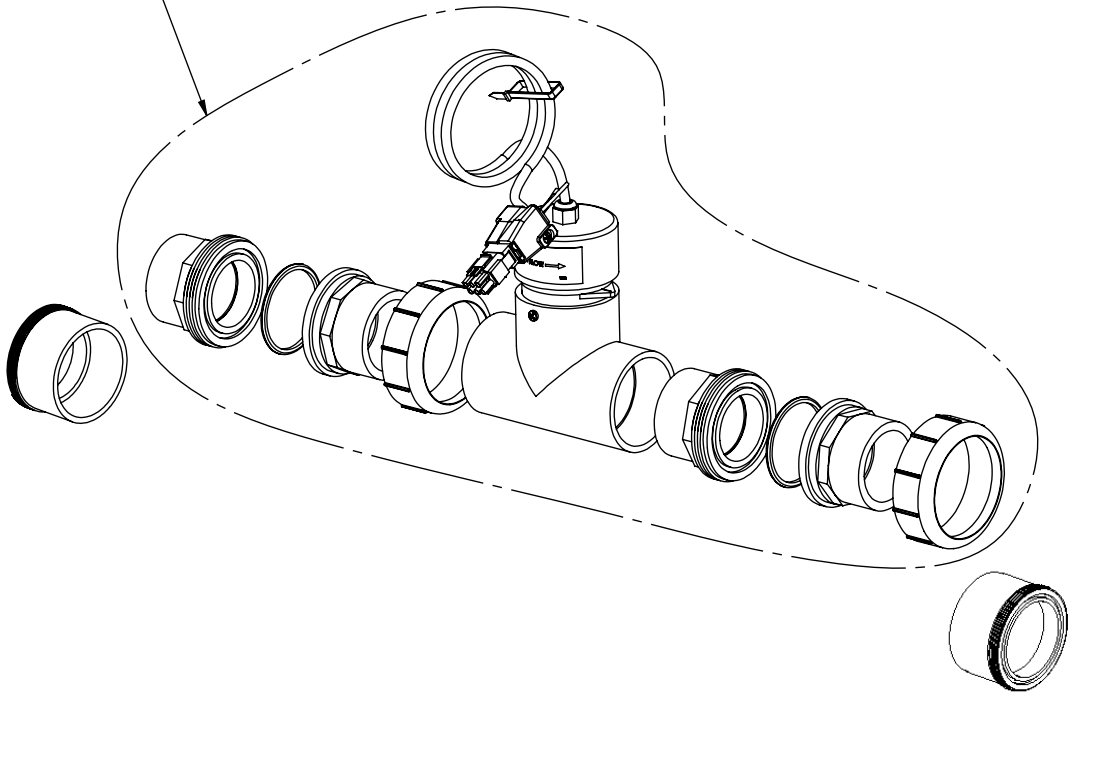
PPC5BPCC25:  
PPC5 Replacement Cell Convection  
with Banana Plugs  
25 ft Cord



# Soft Touch MANIFOLD ACCESSORIES/TOOLS

APK0038:  
Tri-Sensor Assy for Convection Cell Applications

Includes:  
401-020 2" T Slip x Slip x Slip  
312-A Union Nut  
312-F 2" Spigot/1.5" Slip X Female Union  
312-C Union Half, 1.5" Slip/2" Spigot x Male Thread Union  
\*15405 HDW Screw #6x1/2 PPSMS SS  
APA0003 Tri-Sensor with Cord Assy 12 ft

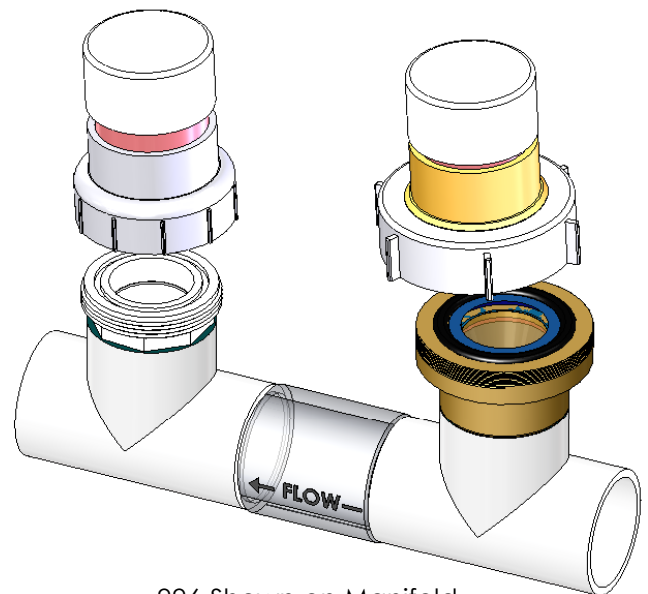
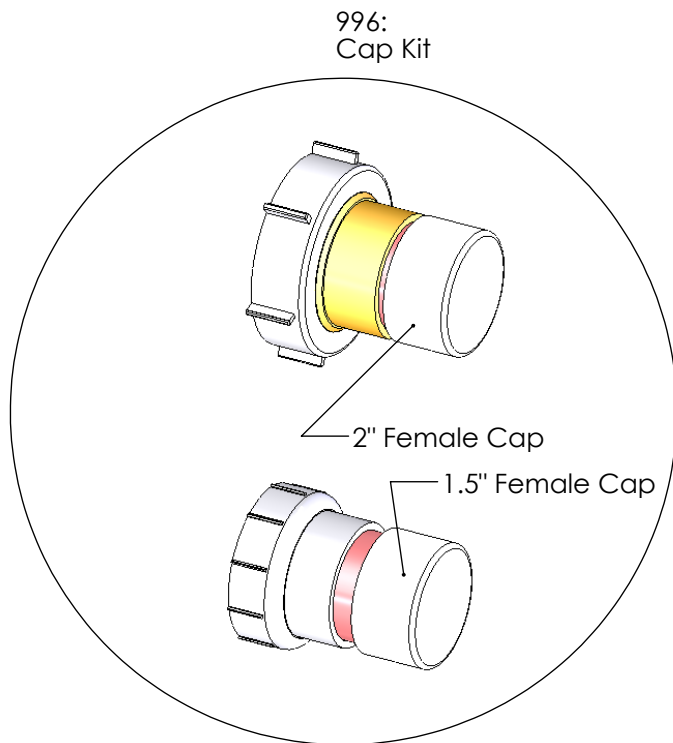
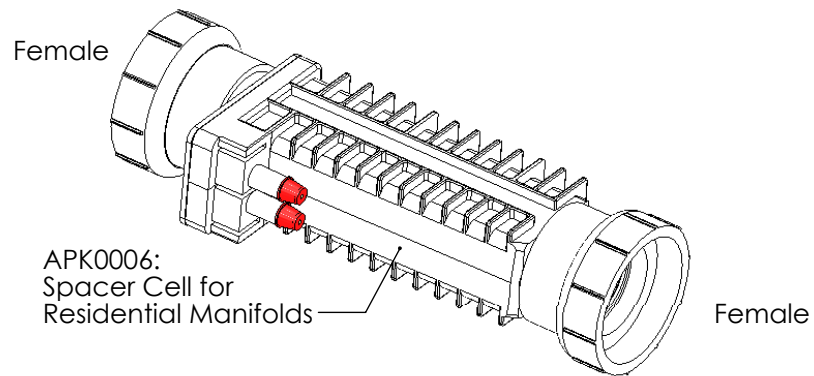
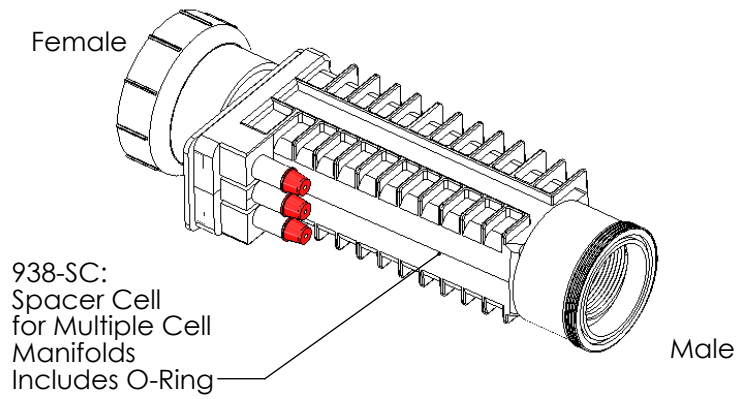


APA0065:  
Inline Conversion Kit  
Same as APK0038 Kit above but with additional two 312-D  
Union Halves, 2 S x MT Union

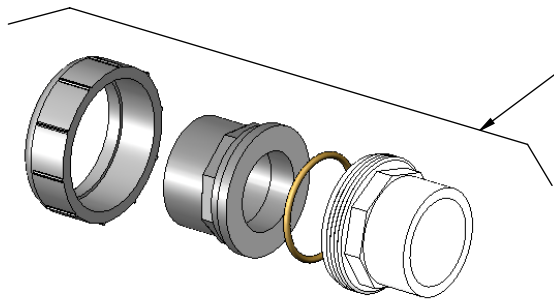
\*Cannot be ordered separately

# MANIFOLD ACCESSORIES/TOOLS

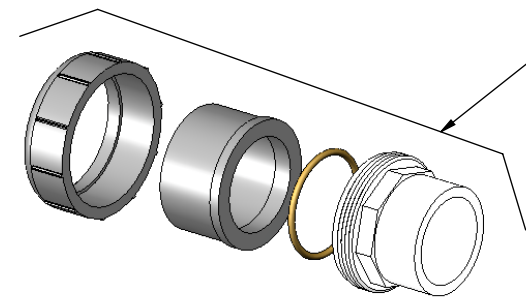
Soft Touch



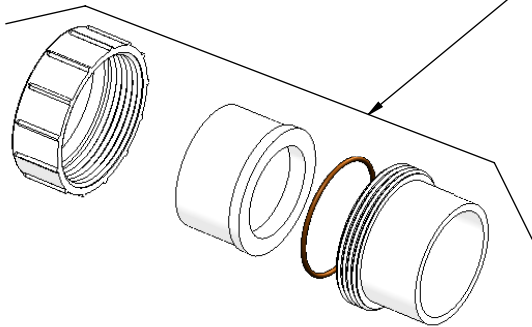
# MANIFOLD ACCESSORIES/TOOLS



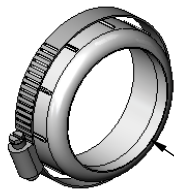
19073:  
 Union Kit  
 Includes:  
 312-A Union Nut  
 312-F Union Half, 2" Spigot/1.5" Slip X Female Union  
 19070-0 1-1/2" O-Ring  
 312-C Union Half, 1.5" Slip/2" Spigot x Male Thread Union



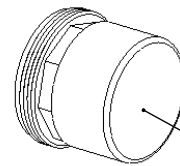
19070:  
 Union Kit  
 Includes:  
 312-A Union Nut  
 312-B Union Half, 2" Slip x Female Union  
 19070-0 1-1/2" O-Ring  
 312-C Union Half, 1.5" Slip/2" Spigot x Male Thread Union



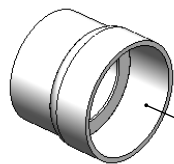
PLS2627:  
 Union Kit  
 Includes:  
 312-A Union Nut  
 312-B Union Half, 2" Slip x Female Union  
 312-D Union Half, 2" Slip x Male Thread Union  
 (with O-Ring 19069-0)  
 OR  
 PLS0001:  
 Union Kit-Pack of 10 PLS2627



STK0048:  
 Cracked Union Nut  
 Service Kit



PLA0113:  
 Cell Cleaning  
 Kit (Male)

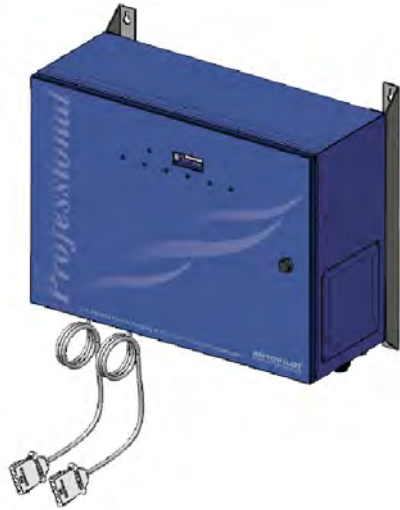


19059:  
 Metric Adapter  
 63mm ID Slip x 2" Spigot  
 Quantity of 2 Needed  
 Included in Metric Kits  
 ONLY (Not Glued)

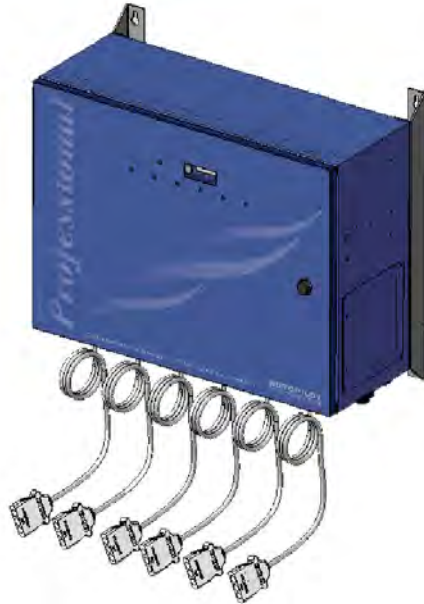
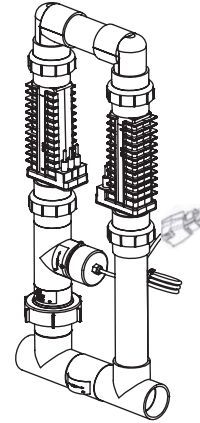


# POOL PILOT® PROFESSIONAL

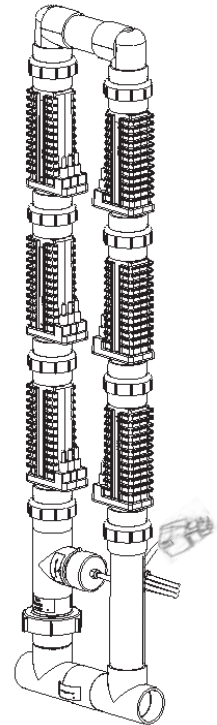
Professional



PRO2US:  
Professional System  
Includes:  
78102A Professional Unit with 2 Power Modules  
941-215AC Professional Manifold 2-Cells



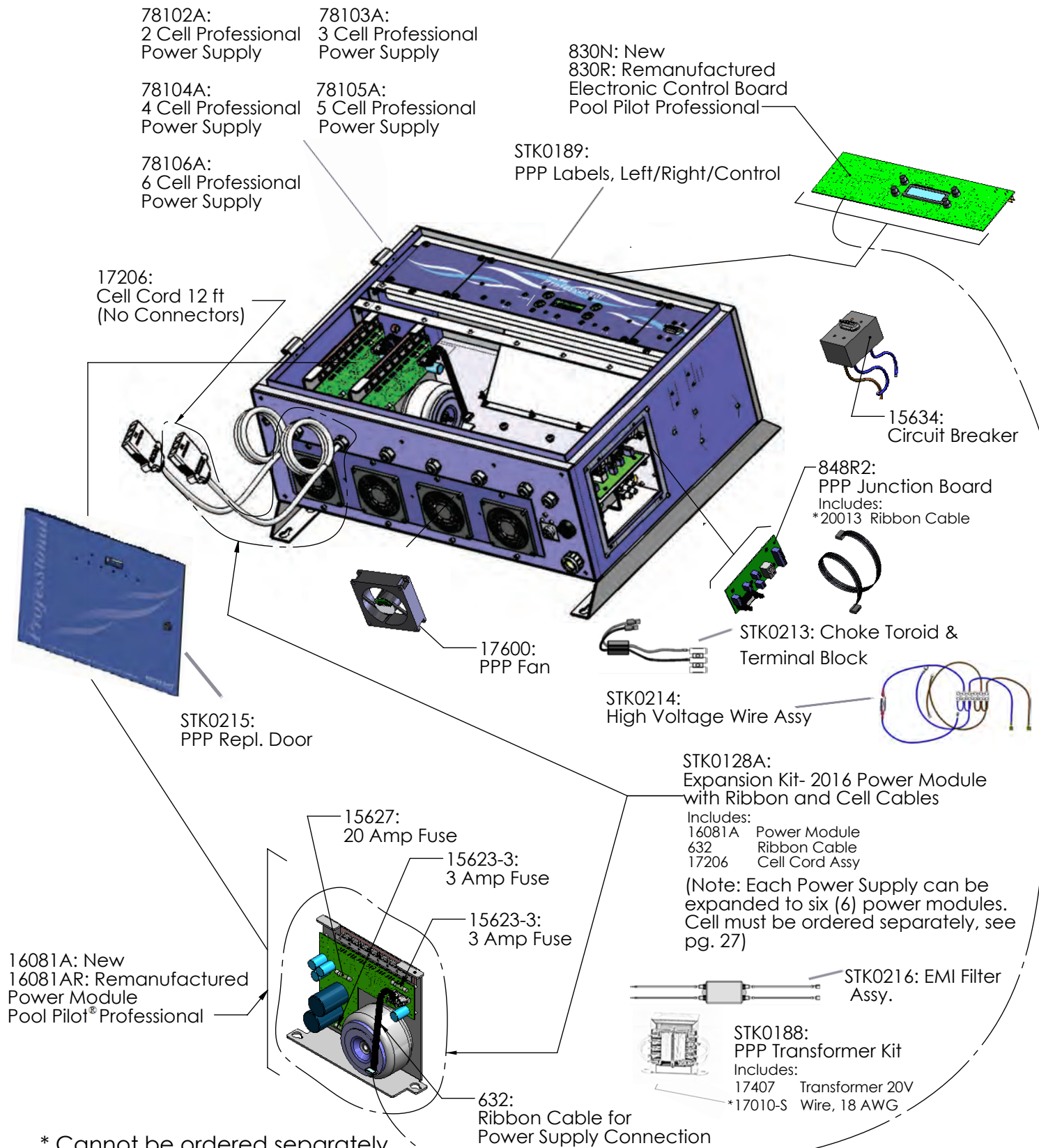
PRO6US:  
Professional System  
Includes:  
78106A Professional Unit with 6 Power Modules  
941-615AC Professional Manifold 6-Cells



## Complete Systems

PART #	DESCRIPTION
PRO2US	Professional with 2 Power Modules & 2 Comm. Cell Manifold
PRO3US	Professional with 3 Power Modules & 3 Comm. Cell Manifold
PRO4US	Professional with 4 Power Modules & 4 Comm. Cell Manifold
PRO5US	Professional with 5 Power Modules & 5 Comm. Cell Manifold
PRO6US	Professional with 6 Power Modules & 6 Comm. Cell Manifold
PRO2EU	CE Professional with 2 Power Modules & 2 Comm. Cell Manifold
PRO3EU	CE Professional with 3 Power Modules & 3 Comm. Cell Manifold
PRO4EU	CE Professional with 4 Power Modules & 4 Comm. Cell Manifold
PRO5EU	CE Professional with 5 Power Modules & 5 Comm. Cell Manifold
PRO6EU	CE Professional with 6 Power Modules & 6 Comm. Cell Manifold

# Professional POOL PILOT® PROFESSIONAL (PPP) Power Supply Parts For 78102A - 78106A (78102A Shown)



# POOL PILOT® PROFESSIONAL CONVECTION SYSTEM

Professional

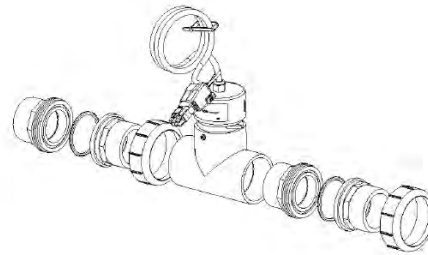
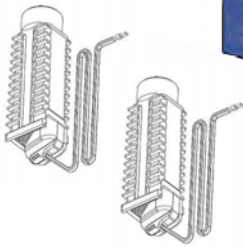
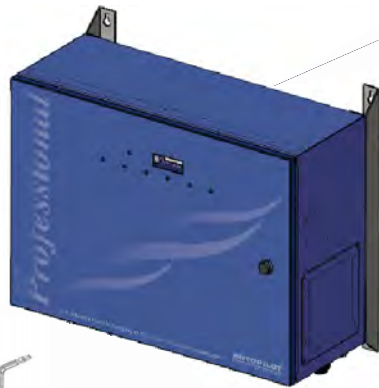
## PRO2US-CONV:

Professional System

Includes:

78102A-CONV  
PPC5BPCC25  
APK0038

Professional Unit with (2) Power Modules  
(2) Commercial Convection Cells  
Tri-Sensor Assy for Convection Cell



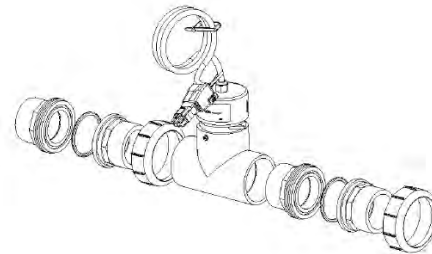
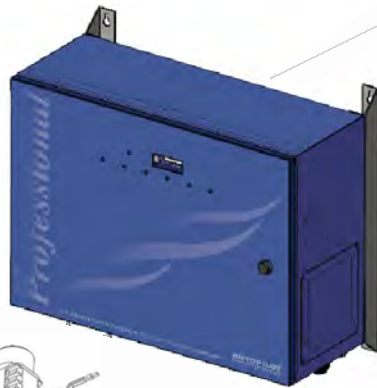
## PRO6US-CONV:

Professional System

Includes:

78106A-CONV  
PPC5BPCC25  
APK0038

Professional Unit with (6) Power Modules  
(6) Commercial Convection Cells  
Tri-Sensor Assy for Convection Cell



## Complete Systems

PART #	DESCRIPTION
PRO2US-CONV	Professional with 2 Power Modules, 2 Comm. Convection Cells & Tri-sensor Assy
PRO3US-CONV	Professional with 3 Power Modules, 3 Comm. Convection Cells & Tri-sensor Assy
PRO4US-CONV	Professional with 4 Power Modules, 4 Comm. Convection Cells & Tri-sensor Assy
PRO5US-CONV	Professional with 5 Power Modules, 5 Comm. Convection Cells & Tri-sensor Assy
PRO6US-CONV	Professional with 6 Power Modules, 6 Comm. Convection Cells & Tri-sensor Assy

# Professional POOL PILOT® PROFESSIONAL (PPP)

## Power Supply Parts For 78102A-CONV--78106A-CONV (78102A-CONV Shown)

78102A-CONV:  
2 Cell Professional  
Power Supply

78103A-CONV:  
3 Cell Professional  
Power Supply

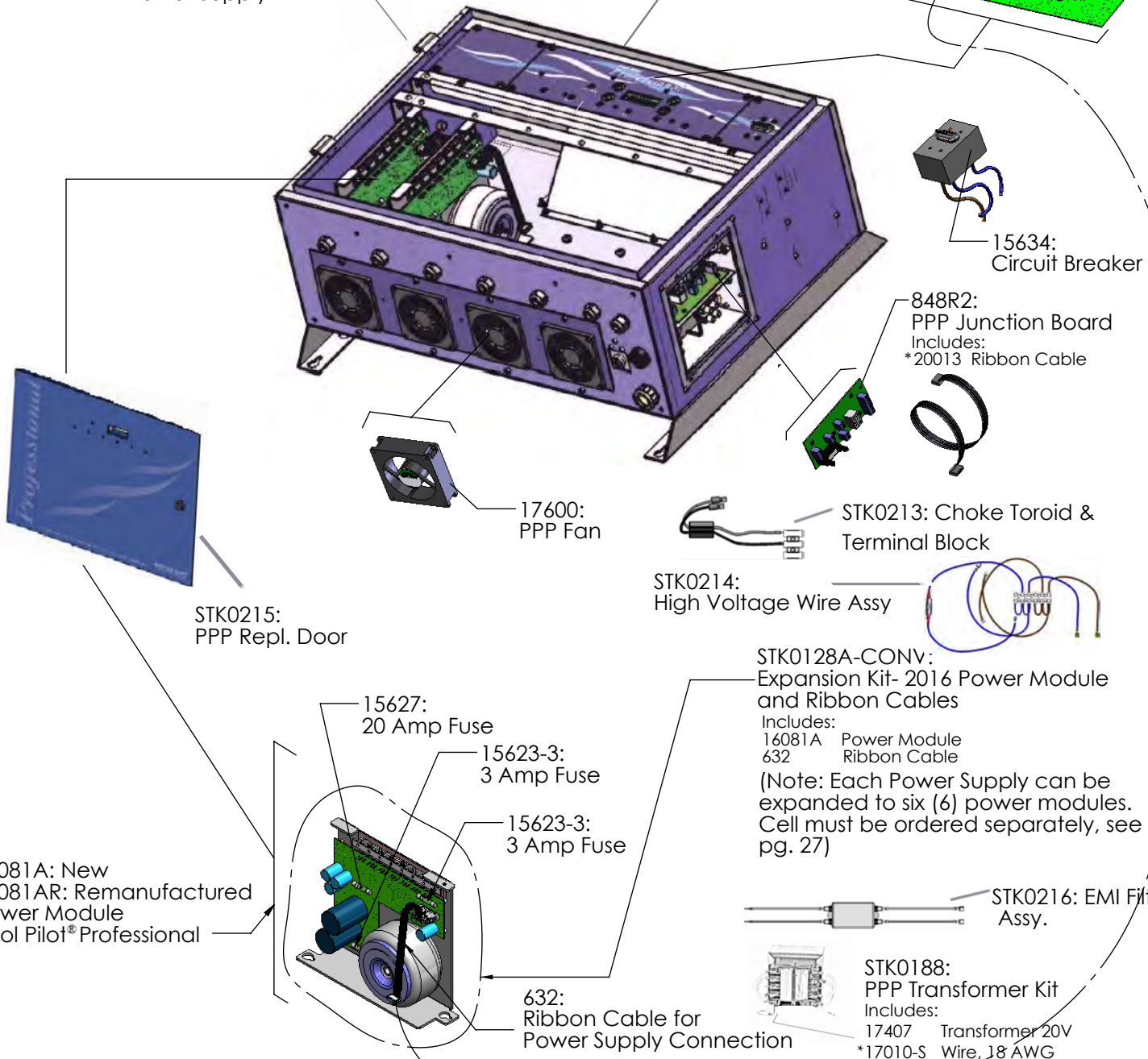
78104A-CONV:  
4 Cell Professional  
Power Supply

78105A-CONV:  
5 Cell Professional  
Power Supply

78106A-CONV:  
6 Cell Professional  
Power Supply

830N: New  
830R: Remanufactured  
Electronic Control Board  
Pool Pilot Professional

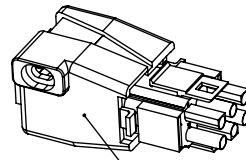
STK0189:  
PPP Labels, Left/Right/Control



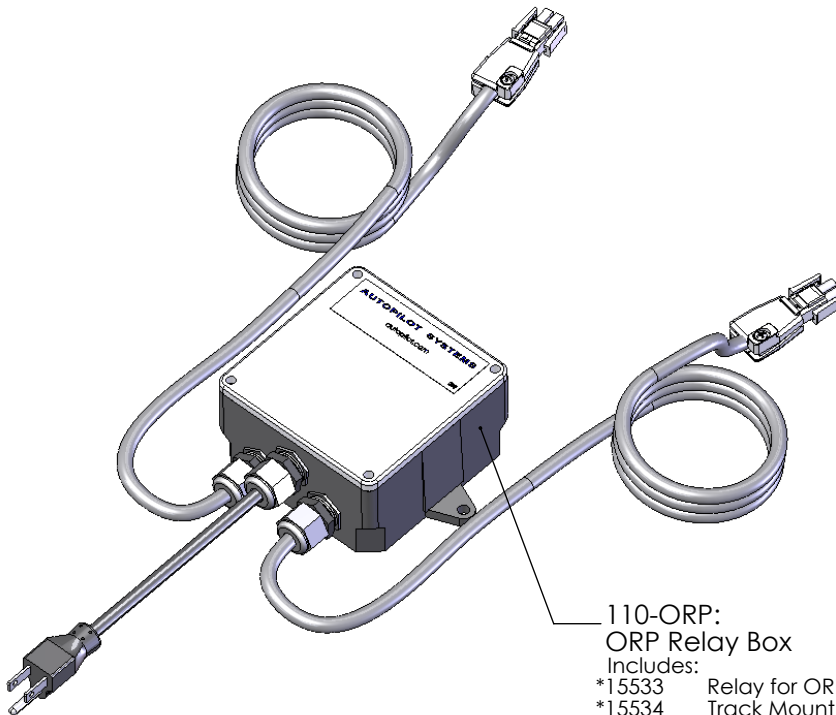
\*Cannot be ordered separately

# POWER SUPPLY ACCESSORIES

Professional



986-ST:  
Tri-Sensor Simulator  
(Simulates APA0003)



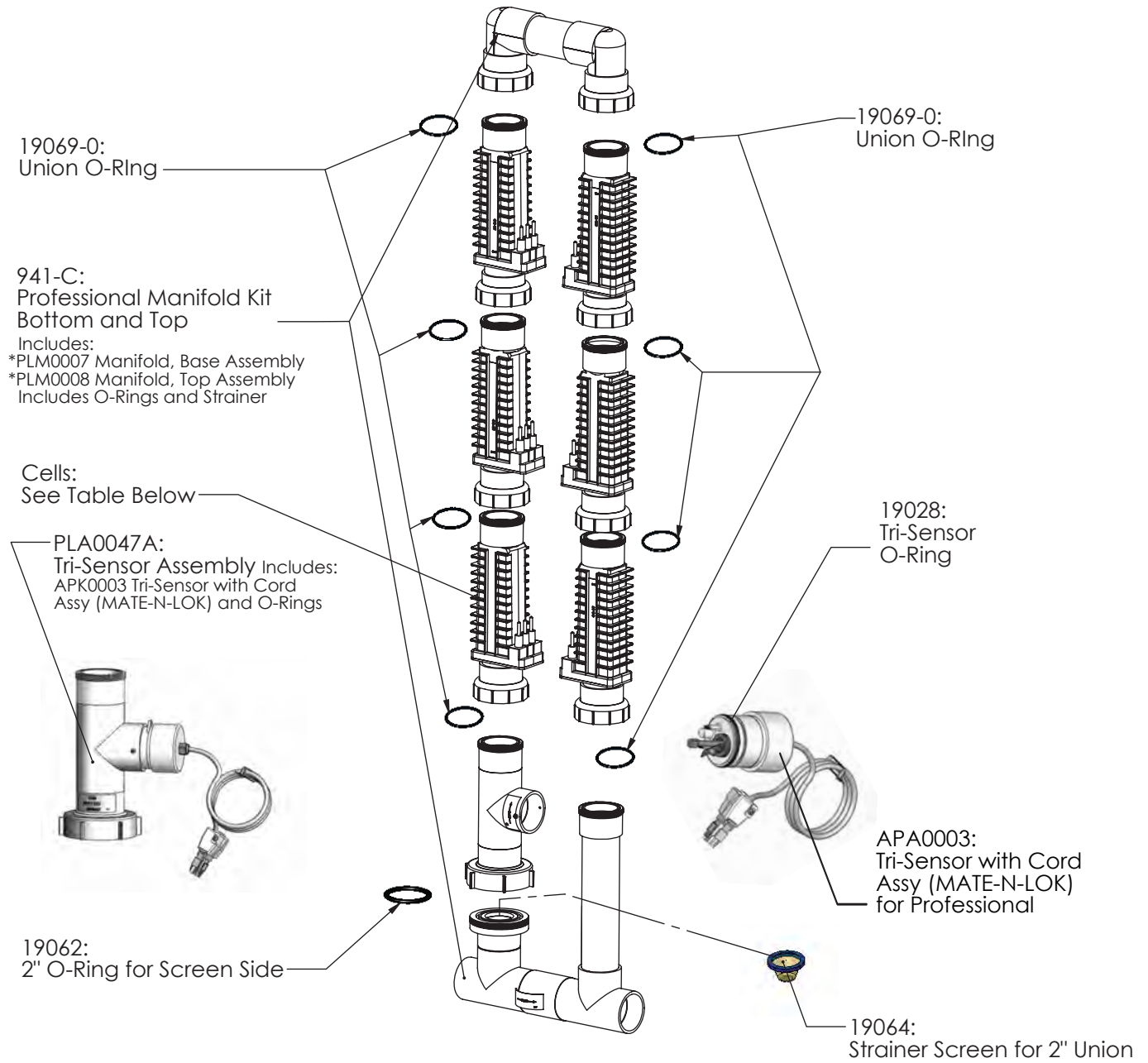
110-ORP:  
ORP Relay Box

Includes:

- \*15533 Relay for ORP
- \*15534 Track Mount Socket
- \*15537 Junction Box 4x4x2
- \*19078 Connector Cable Clamp
- \*19078N Nut for Cable Clamp
- \*ECA0085 Flow Switch Cable Assy (12 ft), 2X
- \*17220 Cord 110V #16 AWG (6 ft)
- \*15402-1 Screw(s) #6-32 x 1/4 PPMS SS
- \*ECP0069 Cable Clamp

\* Cannot be ordered separately

**Professional** PROFESSIONAL SYSTEM MANIFOLDS  
 For 941-215AC - 941-615AC (941-615AC Shown)

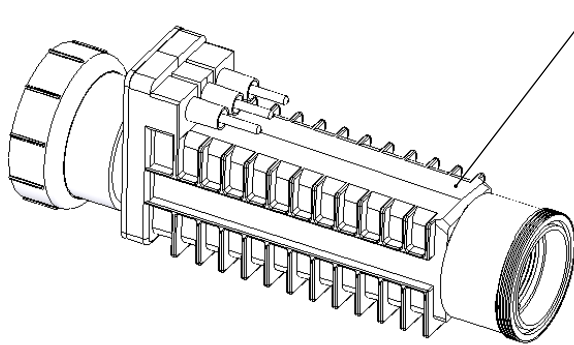


PART#	DESCRIPTION	PAGE #
941-215AC	Manifold Commercial with 2 PPC5MF Cells	27
941-315AC	Manifold Commercial with 3 PPC5MF Cells	27
941-415AC	Manifold Commercial with 4 PPC5MF Cells	27
941-515AC	Manifold Commercial with 5 PPC5MF Cells	27
941-615AC	Manifold Commercial with 6 PPC5MF Cells	27

\*Cannot be ordered separately

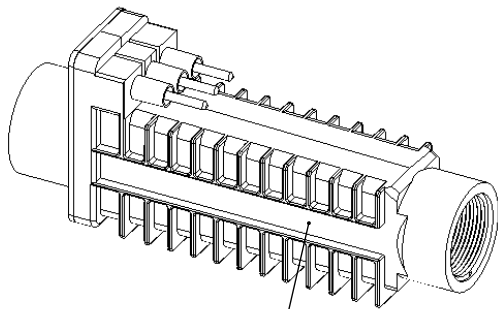
# CELL OPTIONS

Professional

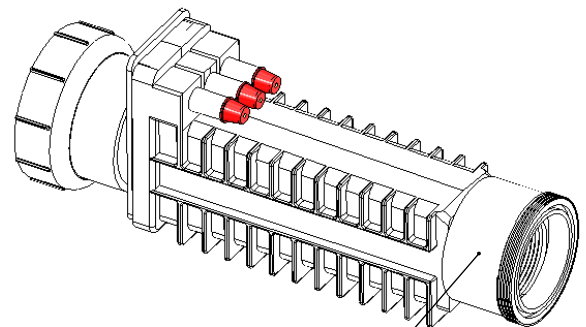


PPC5MF:  
PPC5 Replacement Cell  
Male/Female Unions  
(Commercial)  
for Multiple Cell Manifolds

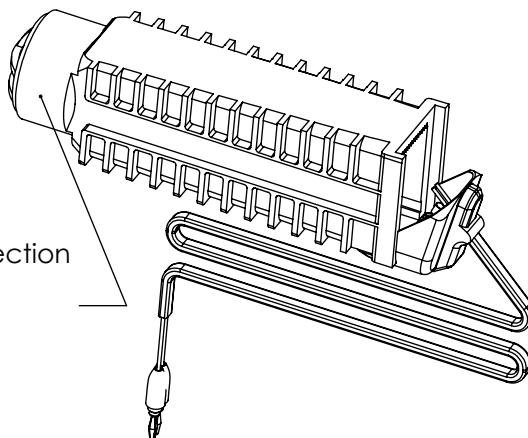
Note: When ordering STK0128Ax (see pg. 22, or 24) to expand a Professional System, also order one (1) PPC5MF per STK0128. If the number of PPC5MF cell(s) is odd in the completed Professional Manifold, then also order one (1) 938-SC Spacer Cell to bring the number of cells up to an even number, if the existing manifold does not already have a 938-SC. Each Professional Manifold can be expanded to six (6) cells.



PPC5NU:  
PPC5 Replacement Cell with  
No Unions (Commercial)



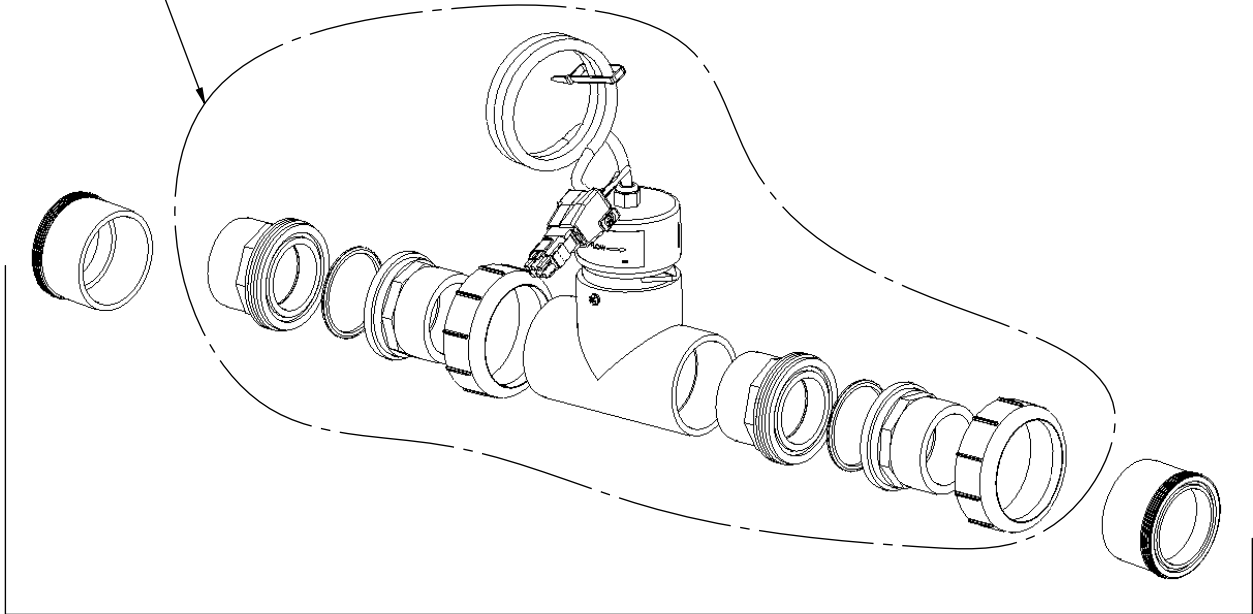
938-SC:  
Spacer Cell  
for Multiple Cell  
Manifolds



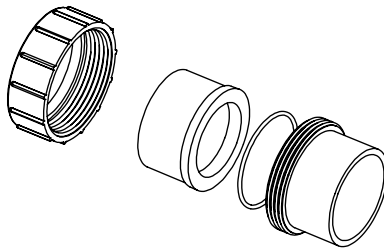
PPC5BPCC25:  
PPC5 Replacement Cell Convection  
with Banana Plugs  
25 ft Cord

# MANIFOLD ACCESSORIES/TOOLS

- APK0038:  
 Tri-Sensor Assy for Convection Cell Applications  
 Includes:  
 401-020 2" T Slip x Slip x Slip  
 312-A Union Nut  
 312-F 2" Spigot/1.5" Slip X Female Union  
 312-C Union Half, 1.5" Slip/2" Spigot x Male Thread Union  
 \* 15405 HDW Screw #6x1/2 PPSMS SS  
 APA0003 Tri-Sensor with Cord Assy 12 ft



- APA0065:  
 Inline Conversion Kit  
 Same as APK0038 Kit above but with  
 additional two 312-D Union Halves, 2S x MT Union

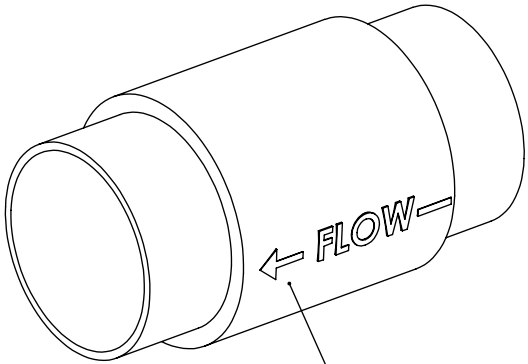


- PLS2627:  
 Union Kit  
 Includes:  
 312-A Union Nut  
 312-B Union Half, 2" Slip x Female Union  
 312-D Union Half, 2" Slip x Male Thread Union (with O-Ring 19069-0)  
 or  
 PLS0001:  
 Union Kit-Pack of 10 PLS2627

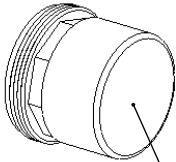
\*Cannot be ordered separately



# MANIFOLD ACCESSORIES/TOOLS Professional

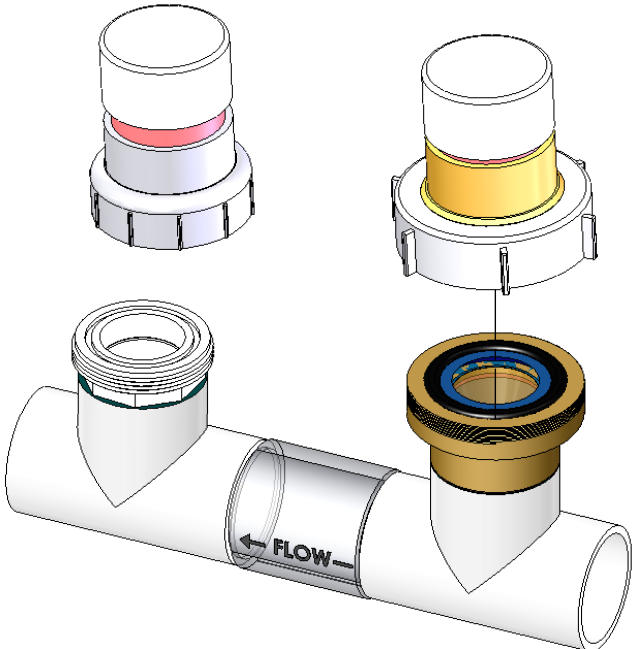
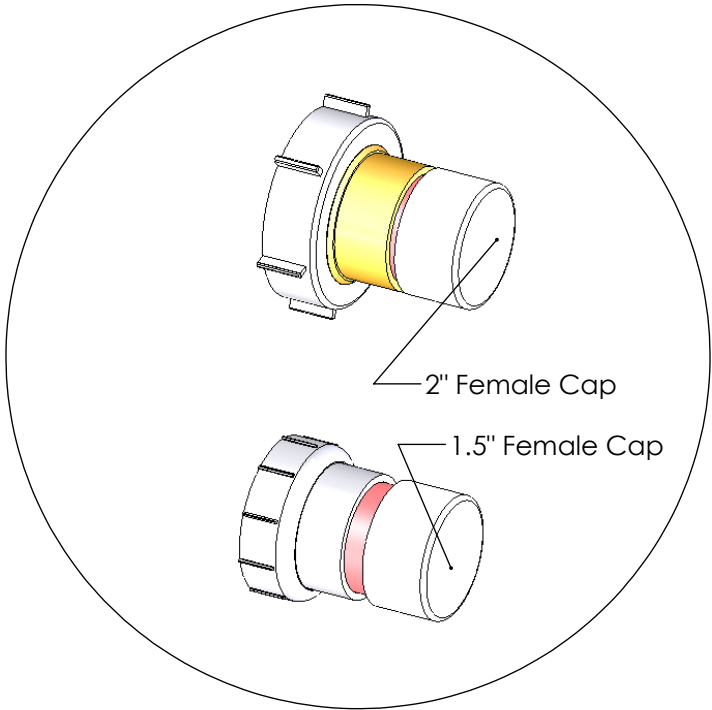


19096:  
2" Check Valve 5 lbs



PLA0113:  
Cell Cleaning  
Kit (Male)

996:  
Cap Kit

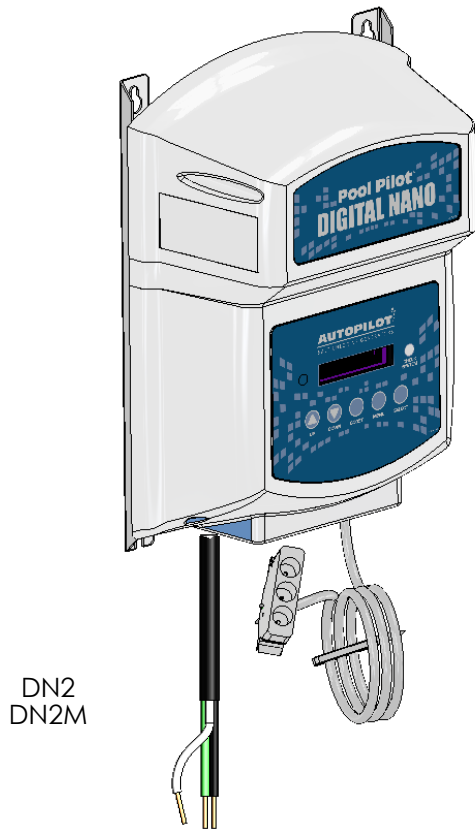


996 Shown on Manifold  
Base Assembly

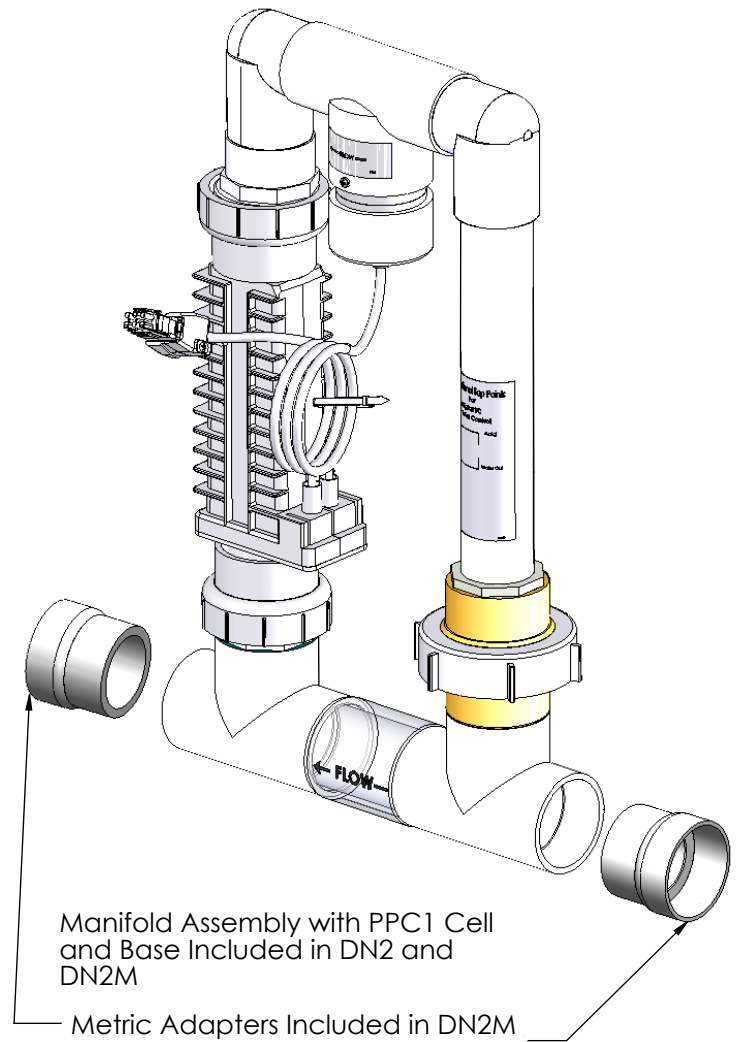


# DIGITAL NANO SYSTEMS

Digital Nano



DN2  
DN2M

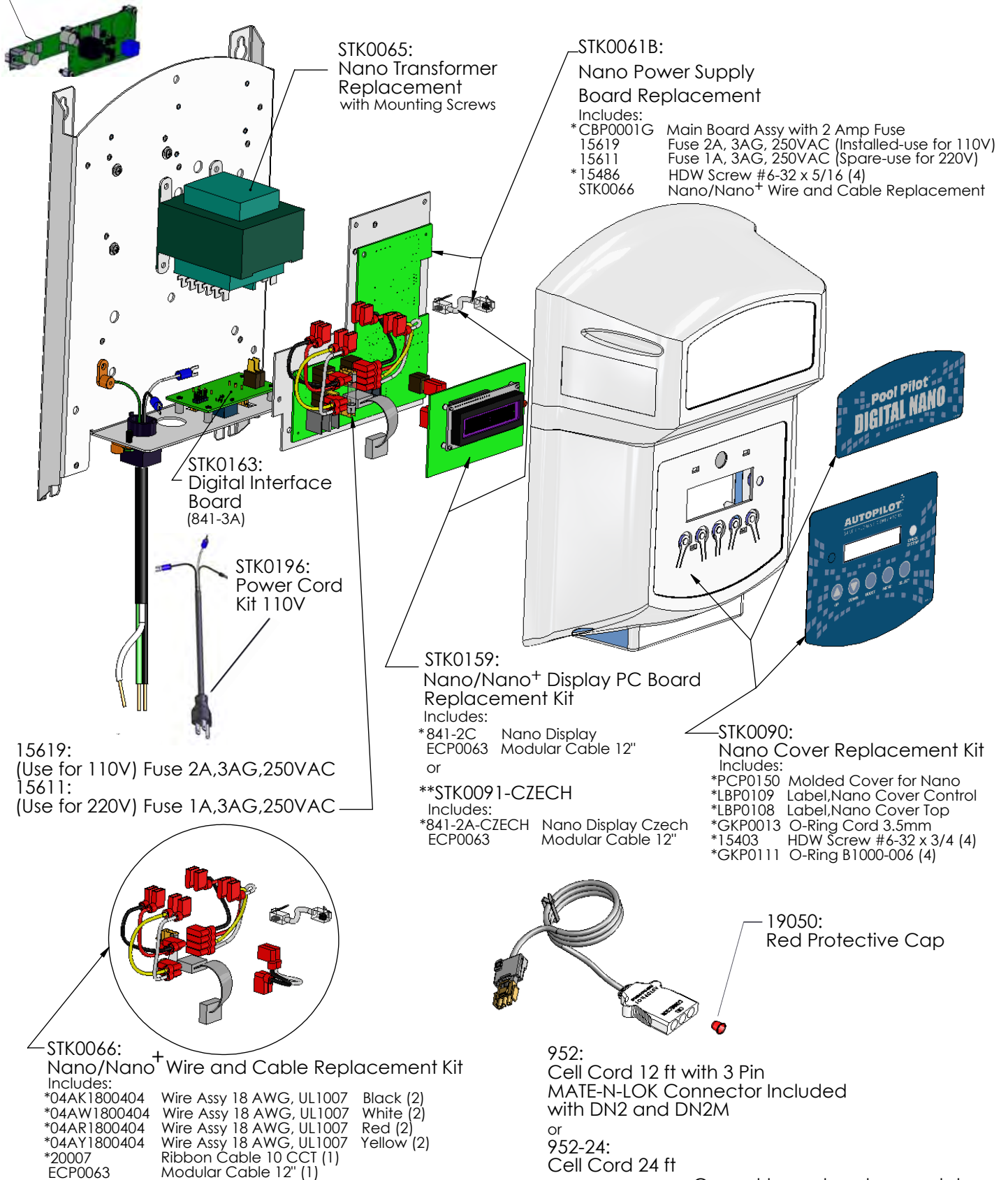


PART #	DESCRIPTION
DN2	Digital Nano, 220V with PPM1 Manifold, Eng, Esp, Fra, Ger, Ita, Ces Languages
DN2M	Digital Nano, 220V CE with PPM1 Manifold and Metric Adapters Eng, Esp, Fra, Ger, Ita, Ces Languages

## Digital Nano

STK0156:  
Kit for Nano Expansion Board:  
See pg. 46 for parts breakdown

# DIGITAL NANO Power Supply Parts



STK0065:  
Nano Transformer  
Replacement  
with Mounting Screws

STK0061B:  
Nano Power Supply  
Board Replacement

Includes:  
\*CBP0001G Main Board Assy with 2 Amp Fuse  
15619 Fuse 2A, 3AG, 250VAC (Installed-use for 110V)  
15611 Fuse 1A, 3AG, 250VAC (Spare-use for 220V)  
\*15486 HDW Screw #6-32 x 5/16 (4)  
STK0066 Nano/Nano+ Wire and Cable Replacement

STK0163:  
Digital Interface  
Board  
(841-3A)

STK0196:  
Power Cord  
Kit 110V

15619:  
(Use for 110V) Fuse 2A,3AG,250VAC  
15611:  
(Use for 220V) Fuse 1A,3AG,250VAC

STK0159:  
Nano/Nano+ Display PC Board  
Replacement Kit

Includes:  
\*841-2C Nano Display  
ECP0063 Modular Cable 12"  
or  
\*\*STK0091-CZECH  
Includes:  
\*841-2A-CZECH Nano Display Czech  
ECP0063 Modular Cable 12"

STK0090:  
Nano Cover Replacement Kit

Includes:  
\*PCP0150 Molded Cover for Nano  
\*LBP0109 Label,Nano Cover Control  
\*LBP0108 Label,Nano Cover Top  
\*GKP0013 O-Ring Cord 3.5mm  
\*15403 HDW Screw #6-32 x 3/4 (4)  
\*GKP0111 O-Ring B1000-006 (4)

STK0066:  
Nano/Nano+  
Wire and Cable Replacement Kit

Includes:  
\*04AK1800404 Wire Assy 18 AWG, UL1007 Black (2)  
\*04AW1800404 Wire Assy 18 AWG, UL1007 White (2)  
\*04AR1800404 Wire Assy 18 AWG, UL1007 Red (2)  
\*04AY1800404 Wire Assy 18 AWG, UL1007 Yellow (2)  
\*20007 Ribbon Cable 10 CCT (1)  
ECP0063 Modular Cable 12" (1)

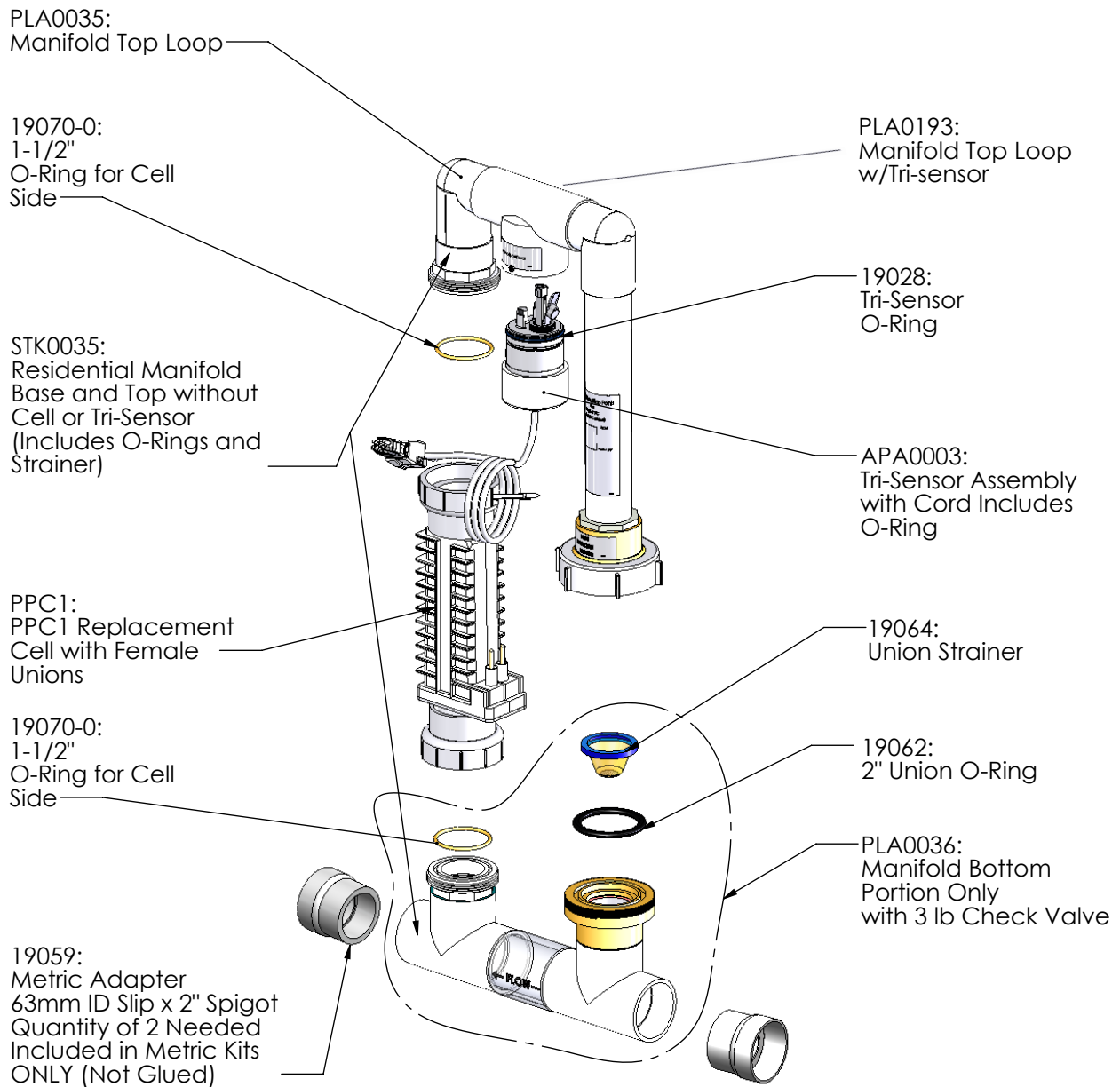
19050:  
Red Protective Cap

952:  
Cell Cord 12 ft with 3 Pin  
MATE-N-LOK Connector Included  
with DN2 and DN2M  
or  
952-24:  
Cell Cord 24 ft

\* Cannot be ordered separately  
\*\*For DN2M-CZECH

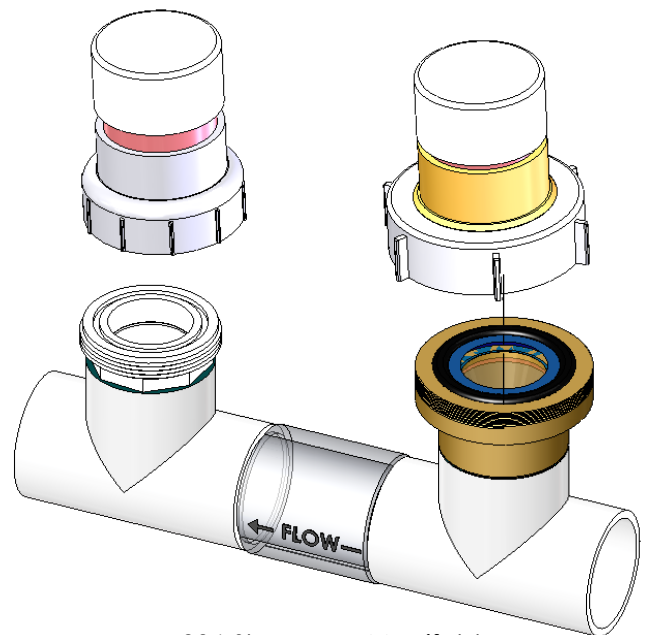
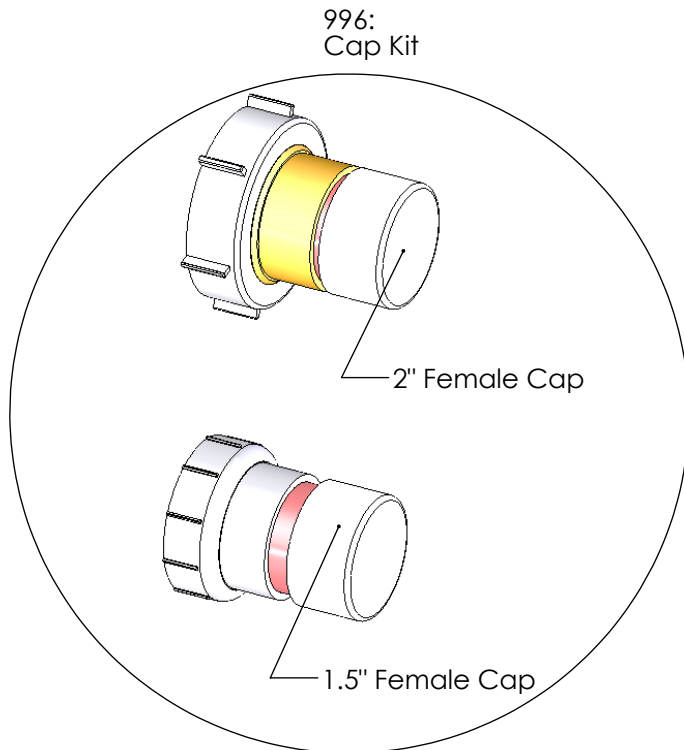
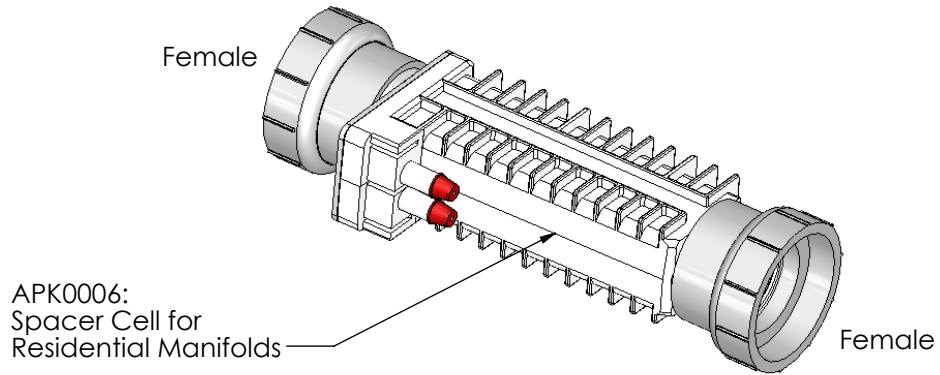
# SINGLE SYSTEM MANIFOLDS

Digital Nano

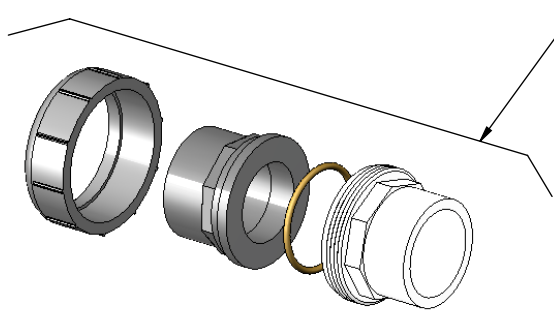


PART #	DESCRIPTION
PPM1	Manifold Assy with PPC1 Cell
PPM1M	Manifold Assy with PPC1 Cell and Metric Adapters

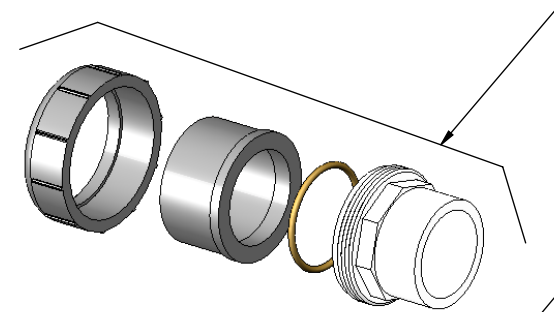
# Digital Nano MANIFOLD ACCESSORIES/TOOLS



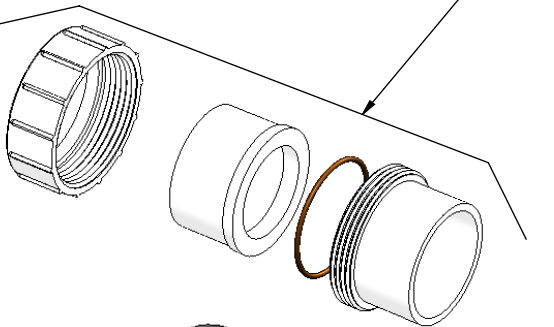
# MANIFOLD ACCESSORIES/TOOLS Digital Nano



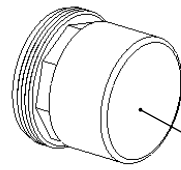
19073:  
Union Kit  
Includes:  
312-A Union Nut  
312-F Union Half, 2" Spigot/1.5" Slip X Female Union  
19070-0 1-1/2" O-Ring  
312-C Union Half, 1.5" Slip/2" Spigot x Male Thread Union



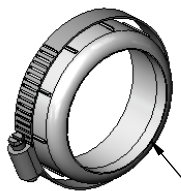
19070:  
Union Kit  
Includes:  
312-A Union Nut  
312-B Union Half, 2" Slip x Female Union  
19070-0 1-1/2" O-Ring  
312-C Union Half, 1.5" Slip/2" Spigot x Male Thread Union



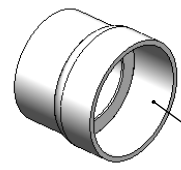
PLS2627:  
Union Kit  
Includes:  
312-A Union Nut  
312-B Union Half, 2" Slip x Female Union  
312-D Union Half, 2" Slip x Male Thread Union (with O-Ring 19069-0)  
or  
PLS0001:  
Union Kit-Pack of 10 PLS2627



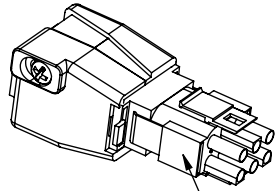
PLA0113:  
Cell Cleaning  
Kit (Male)



STK0048:  
Cracked Union Nut  
Service Kit



19059:  
Metric Adapter  
63mm ID Slip x 2" Spigot  
Quantity of 2 Needed  
Included in Metric Kits  
ONLY (Not Glued)



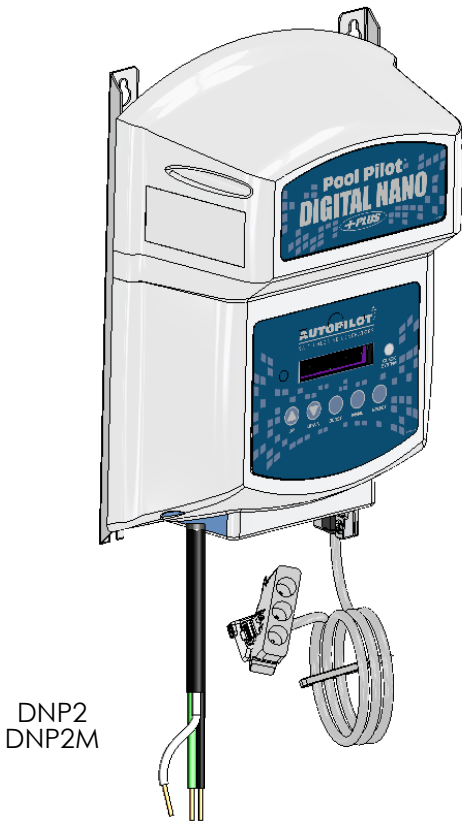
986-ST:  
Tri-Sensor Simulator  
(Simulates APA0003)



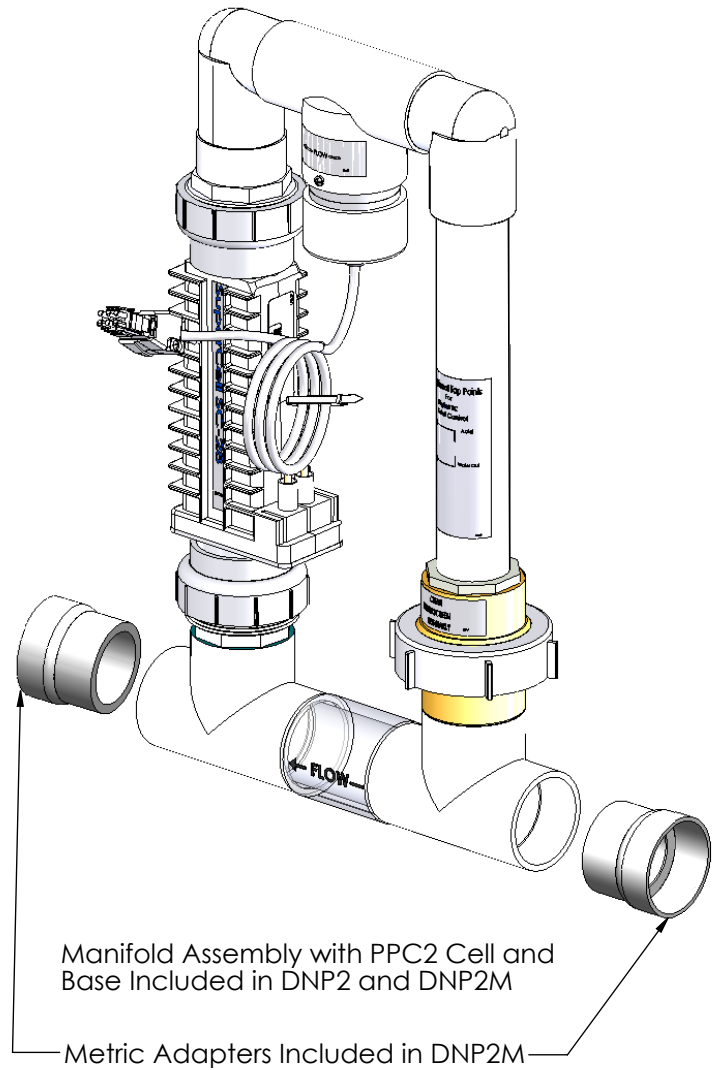


# DIGITAL NANO<sup>+</sup> SYSTEMS

Digital Nano<sup>+</sup>



DNP2  
DNP2M



Manifold Assembly with PPC2 Cell and Base Included in DNP2 and DNP2M

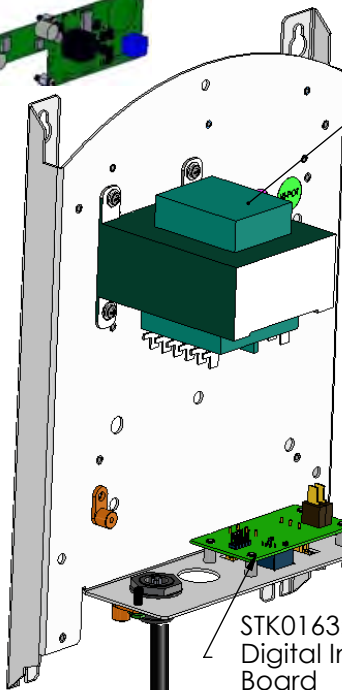
Metric Adapters Included in DNP2M

PART #	DESCRIPTION
DNP2	Digital Nano <sup>+</sup> , 220V with PPM2 Manifold, Eng, Esp, Fra, Ger, Ita, Ces Languages
DNP2M	Digital Nano <sup>+</sup> , 220V with PPM2M Manifold, Eng, Esp, Fra, Ger, Ita, Ces Languages

# DIGITAL NANO<sup>+</sup> SYSTEMS

## Power Supply Parts

STK0156:  
Kit for Nano Expansion Board:  
See pg. 56 for parts breakdown



STK0124:  
Nano<sup>+</sup> Transformer  
Replacement  
with Mounting Screws

STK0123A:  
Nano<sup>+</sup> Power Supply  
Board Replacement

- Includes:
- \*CBA0001H Main Board Assy with 2 Amp Fuse
  - 15619 Fuse 2 A, 3AG, 250VAC (Installed-use for 110V)
  - 15611 Fuse 1 A, 3AG, 250VAC (Spare-use for 220V)
  - \*15486 HDW Screw #6-32 x 5/16 (4)
  - STK0066 Nano/Nano<sup>+</sup> Wire and Cable Replacement

STK0163:  
Digital Interface  
Board  
(841-3A)

STK0196:  
Power Cord  
Kit 110V

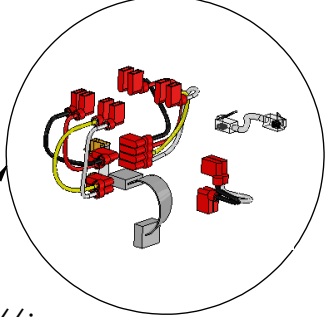
- 15619:  
(Use for 110V) Fuse 2A,3AG,250VAC  
15611:  
(Use for 220V) Fuse 1A,3AG,250VAC

STK0159:  
Nano/Nano<sup>+</sup> Display PC Board  
Replacement Kit

- Includes:
- \*841-2C Nano Display
  - ECP0063 Modular Cable 12"

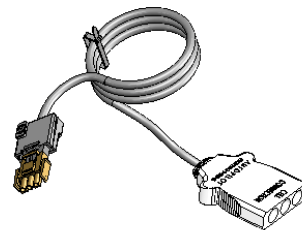
STK0125:  
Nano<sup>+</sup> Cover Replacement Kit

- Includes:
- \*PCP0150 Molded Cover for Nano
  - \*LBP0109 Label, Nano Cover Control
  - \*LBP0237 Label, Nano<sup>+</sup> Top Cover
  - \*GKP0013 O-Ring Cord 3.5mm
  - \*15403 HDW Screw #6-32 x 3/4 (4)
  - \*GKP0111 O-Ring B1000-006 (4)



STK0066:  
Nano/Nano<sup>+</sup> Wire and Cable Replacement Kit

- Includes:
- |              |                          |            |
|--------------|--------------------------|------------|
| *04AK1800404 | Wire Assy 18 AWG, UL1007 | Black (2)  |
| *04AW1800404 | Wire Assy 18 AWG, UL1007 | White (2)  |
| *04AR1800404 | Wire Assy 18 AWG, UL1007 | Red (2)    |
| *04AY1800404 | Wire Assy 18 AWG, UL1007 | Yellow (2) |
| *20007       | Ribbon Cable 10 CCT (1)  |            |
| ECP0063      | Modular Cable 12" (1)    |            |



952:  
Cell Cord 12 ft with 3 Pin  
MATE-N-LOK Connector Included with  
DNP2 and DNP2M

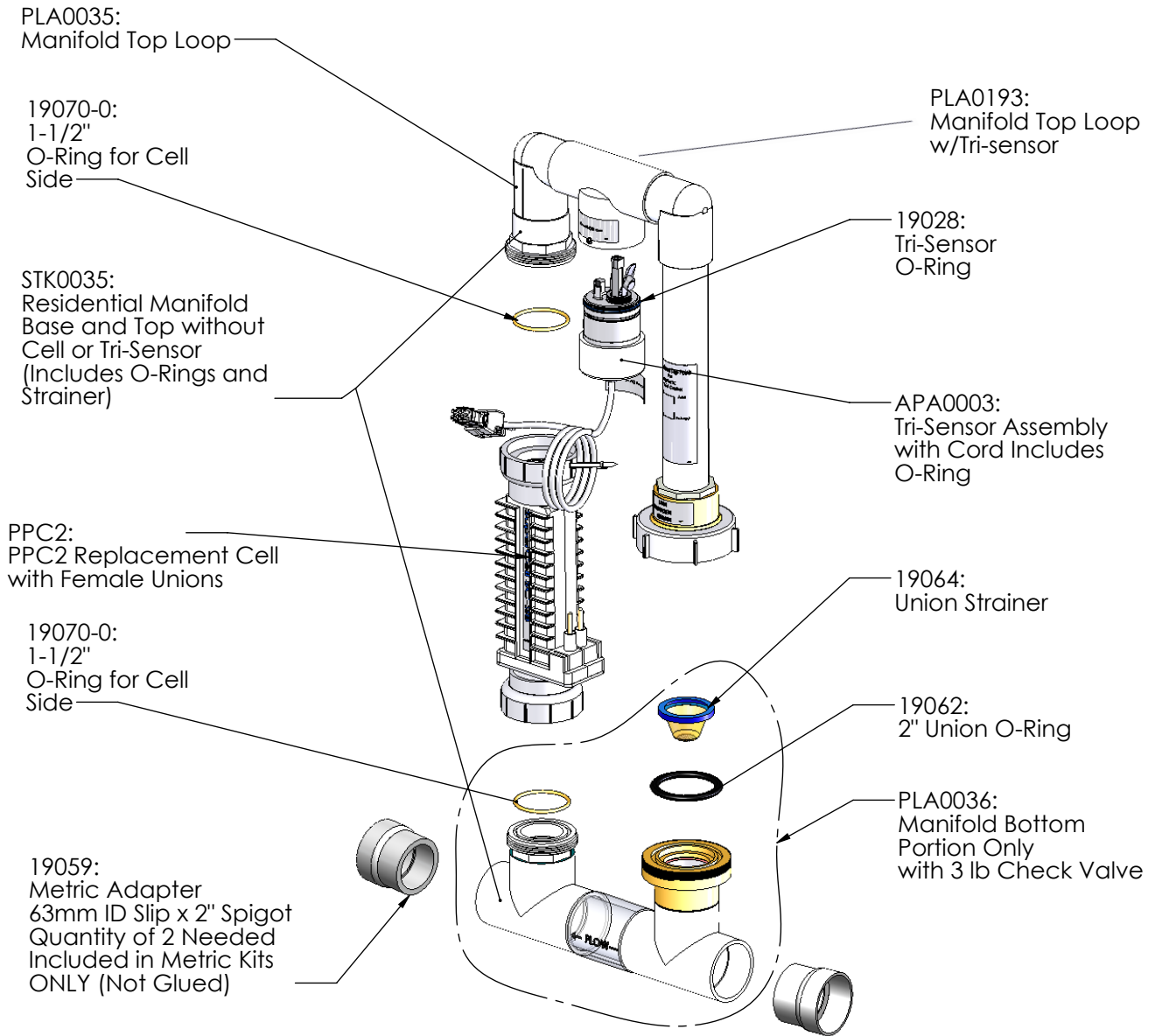
or  
952-24:  
Cell Cord 24 ft

19050:  
Red Protective Cap

\*Cannot be ordered separately

# SINGLE SYSTEM MANIFOLDS

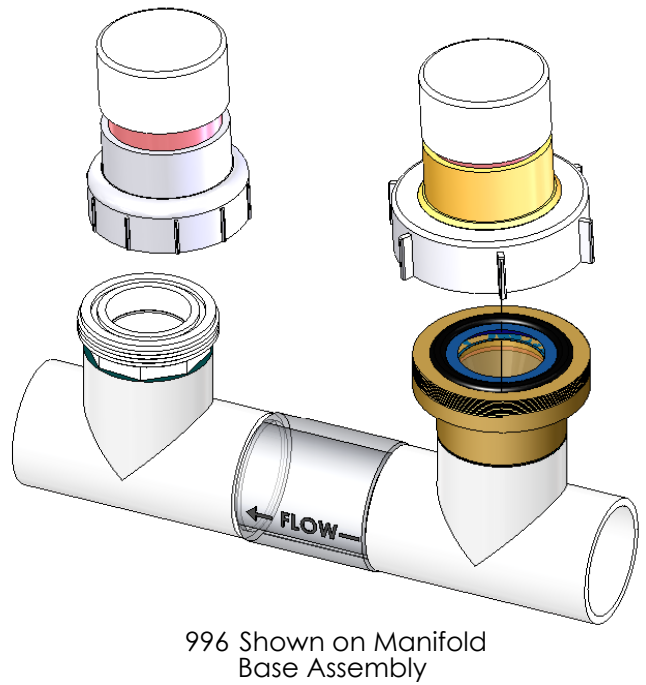
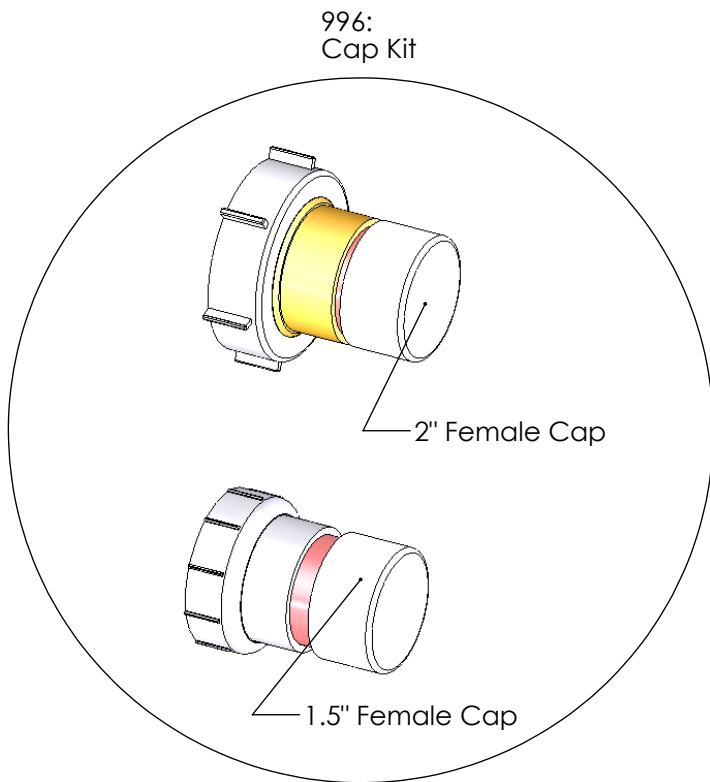
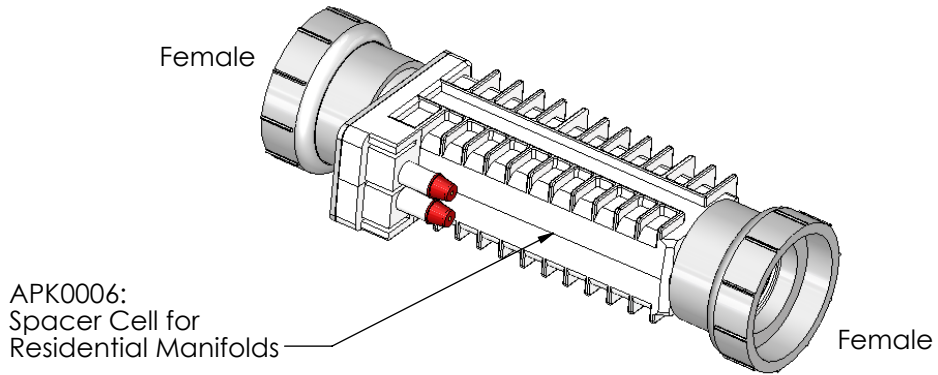
Digital Nano<sup>+</sup>



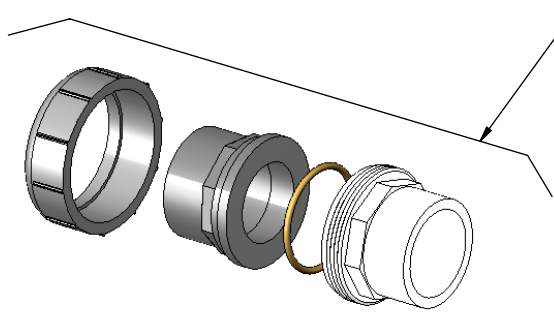
PART #	DESCRIPTION
*PPM2	Manifold Assy with PPC2 Cell
*PPM2M	Manifold Assy with PPC2 Cell and Metric Adapters

\*Cannot be ordered separately

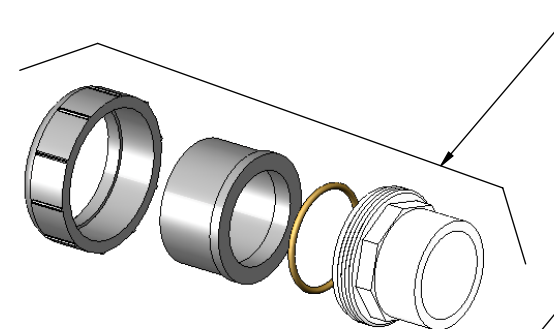
# Digital Nano<sup>+</sup> MANIFOLD ACCESSORIES/TOOLS



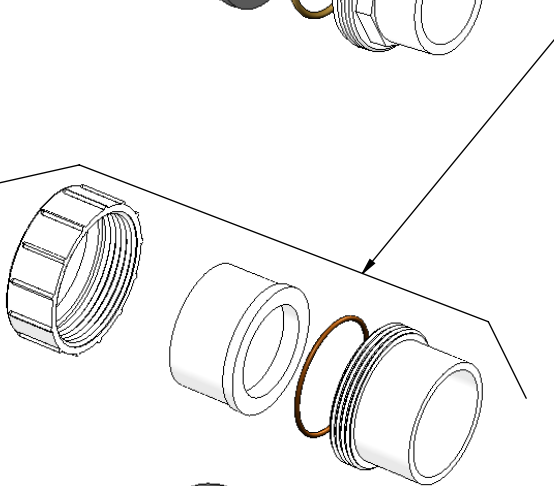
# MANIFOLD ACCESSORIES/TOOLS Digital Nano<sup>+</sup>



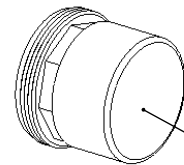
19073:  
Union Kit  
Includes:  
312-A Union Nut  
312-F Union Half, 2" Spigot/1.5" Slip X Female Union  
19070-0 1-1/2" O-Ring  
312-C Union Half, 1.5" Slip/2" Spigot x Male Thread Union



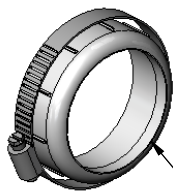
19070:  
Union Kit  
Includes:  
312-A Union Nut  
312-B Union Half, 2" Slip x Female Union  
19070-0 1-1/2" O-Ring  
312-C Union Half, 1.5" Slip/2" Spigot x Male Thread Union



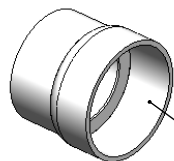
PLS2627:  
Union Kit  
Includes:  
312-A Union Nut  
312-B Union Half, 2" Slip x Female Union  
312-D Union Half, 2" Slip x Male Thread Union (with O-Ring 19069-0)  
or  
PLS0001:  
Union Pack of 10 PLS2627



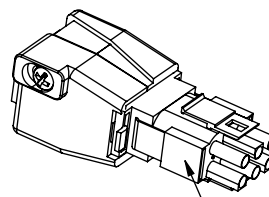
PLA0113:  
Cell Cleaning  
Kit (Male)



STK0048:  
Cracked Union Nut  
Service Kit



19059:  
Metric Adapter  
63mm ID Slip x 2" Spigot  
Quantity of 2 Needed  
Included in Metric Kits  
ONLY (Not Glued)

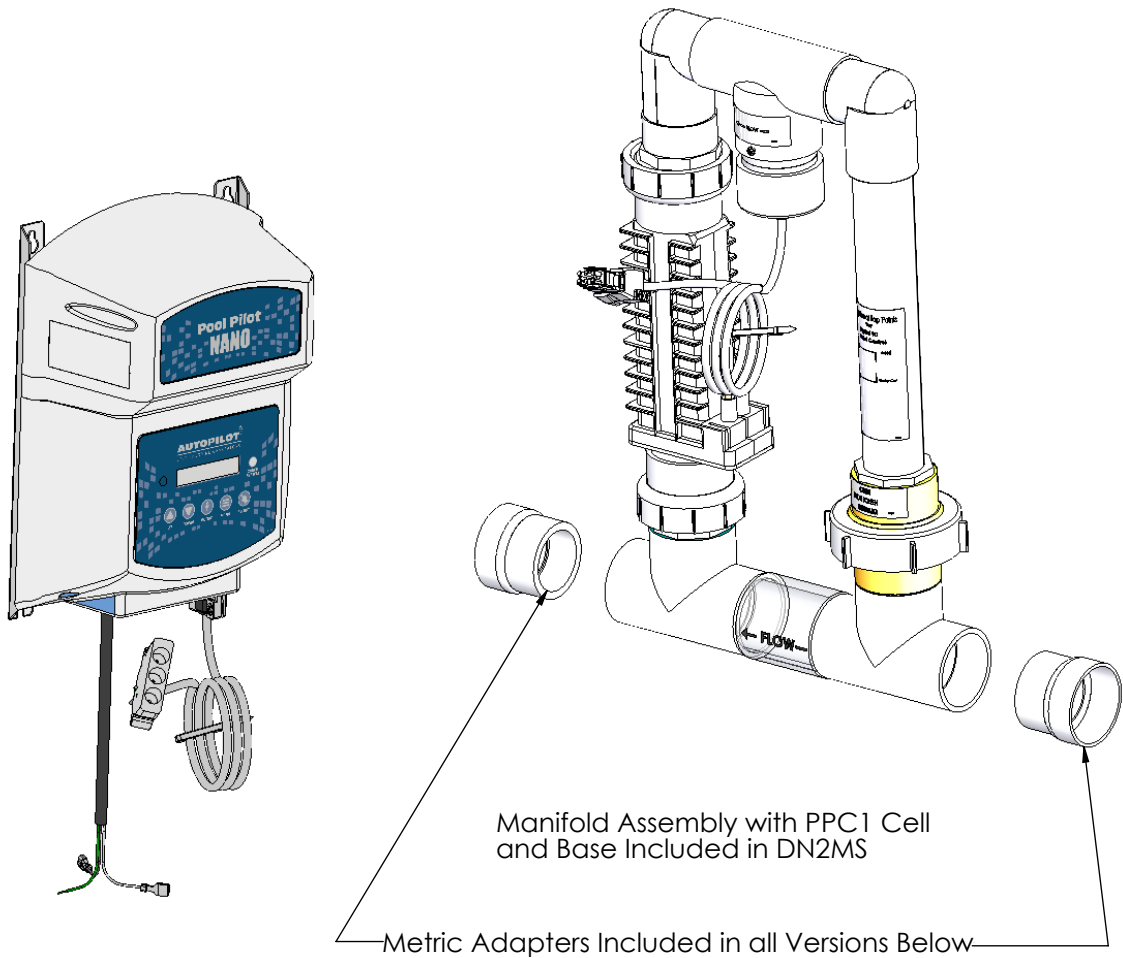


986-ST:  
Tri-Sensor Simulator  
(Simulates APA0003)



# NANO PCC SYSTEMS

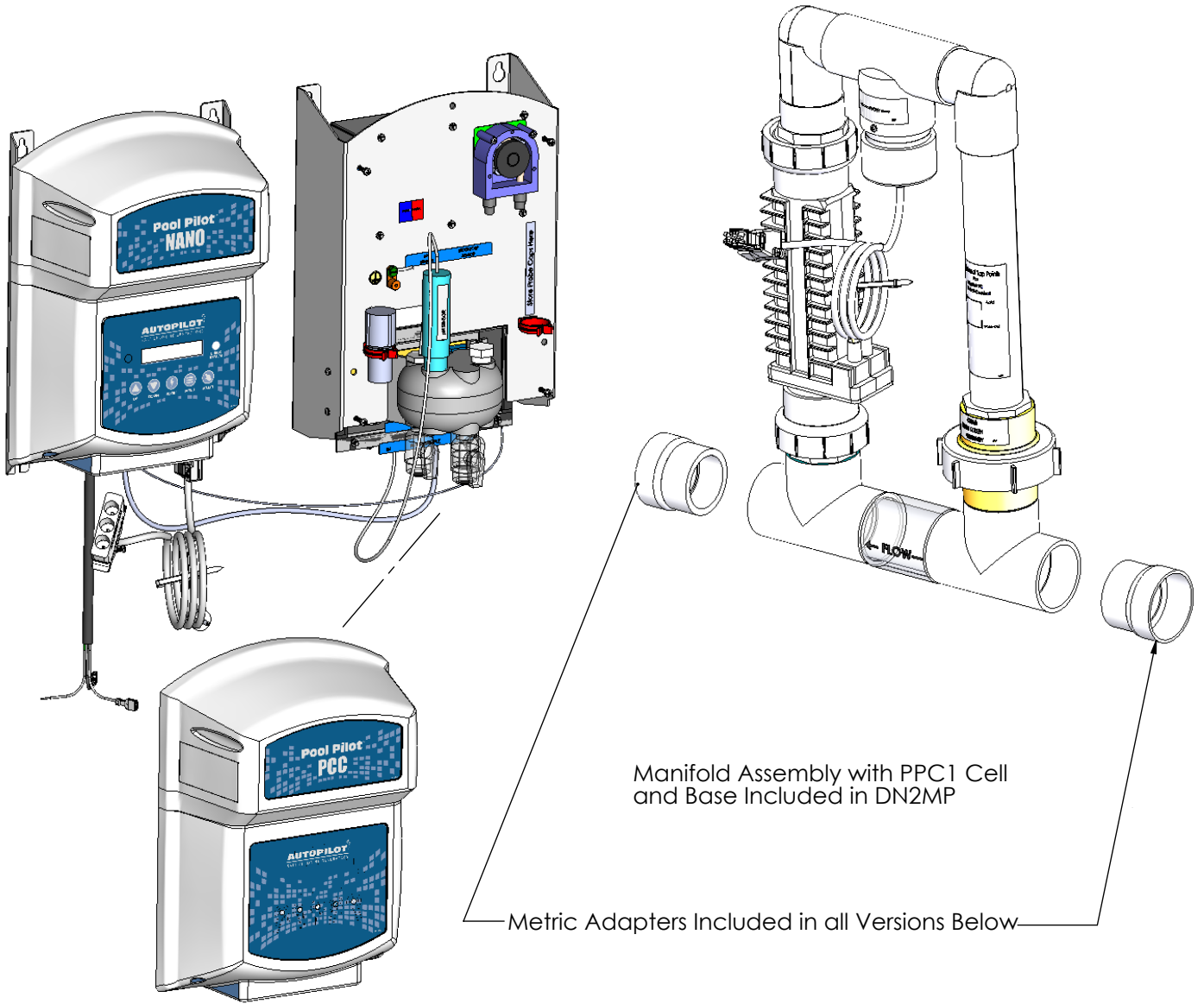
Nano PCC



PART #	DESCRIPTION
DN2MS	Nano, 220V with PPM1M Manifold, Cover Detect Switch and PCC Ready, with Metric Adapters Eng, Esp, Fra, Ger, Ita, Ces Languages

# NANO PCC SYSTEMS

## With Pool Chemistry Controller



PART #	DESCRIPTION
DN2MP	Nano, 220V with PPM1M Manifold, Cover Detect Switch, Peristaltic Pump, pH Probe and PCC ready, with Metric Adapters Eng, Esp, Fra, Ger, Ita, Ces Languages



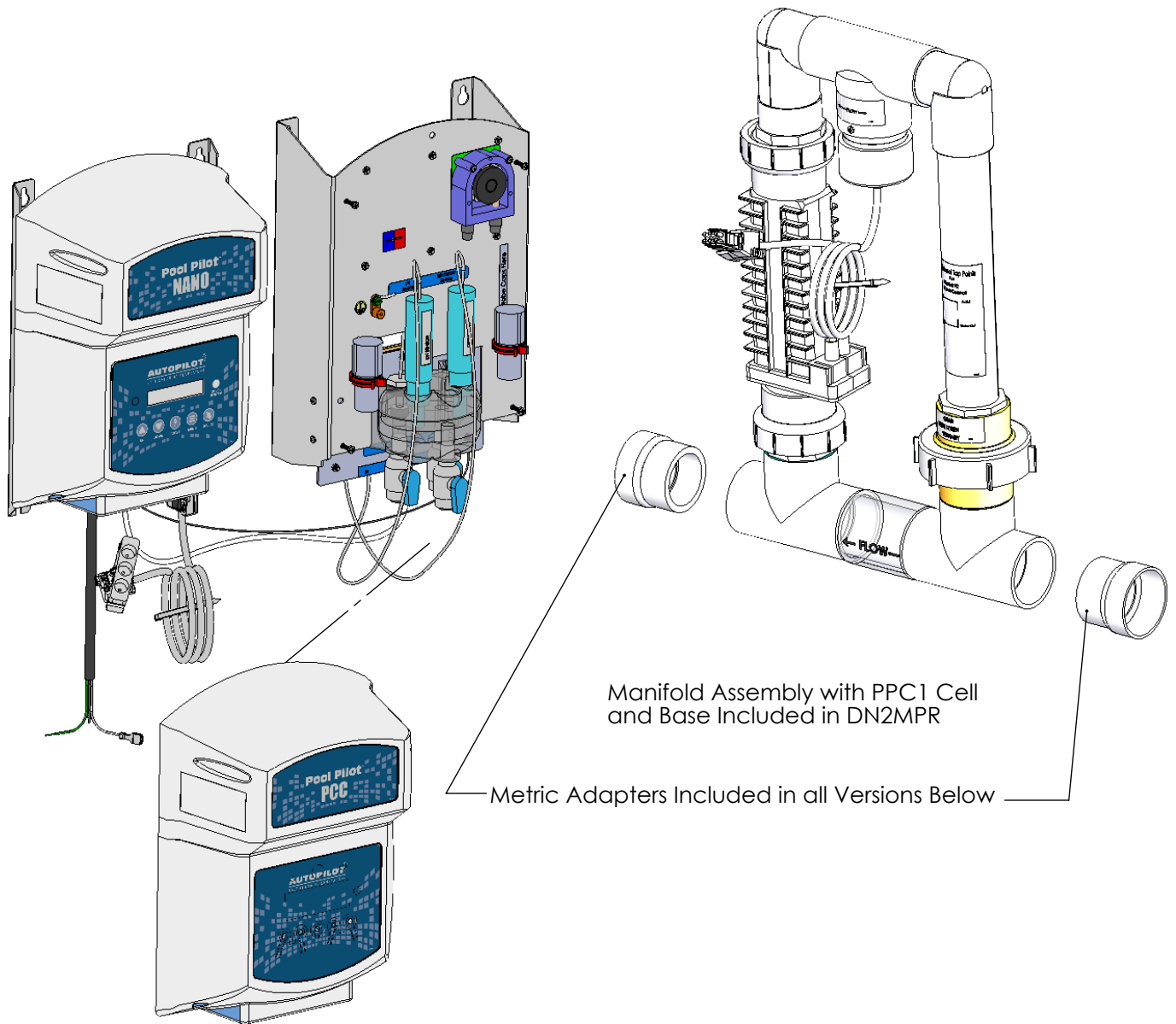
**CAUTION:** Sulfuric Acid is approved for dispensing by the Pool Chemistry Controller (PCC) Models 75054 and 75055. Muriatic/Hydrochloric Acid is **NOT** approved for dispensing by the PCC and will void warranty coverage if dispensed by the PCC.



# NANO PCC SYSTEMS

## With Pool Chemistry Controller

Nano PCC



Manifold Assembly with PPC1 Cell and Base Included in DN2MPR

Metric Adapters Included in all Versions Below

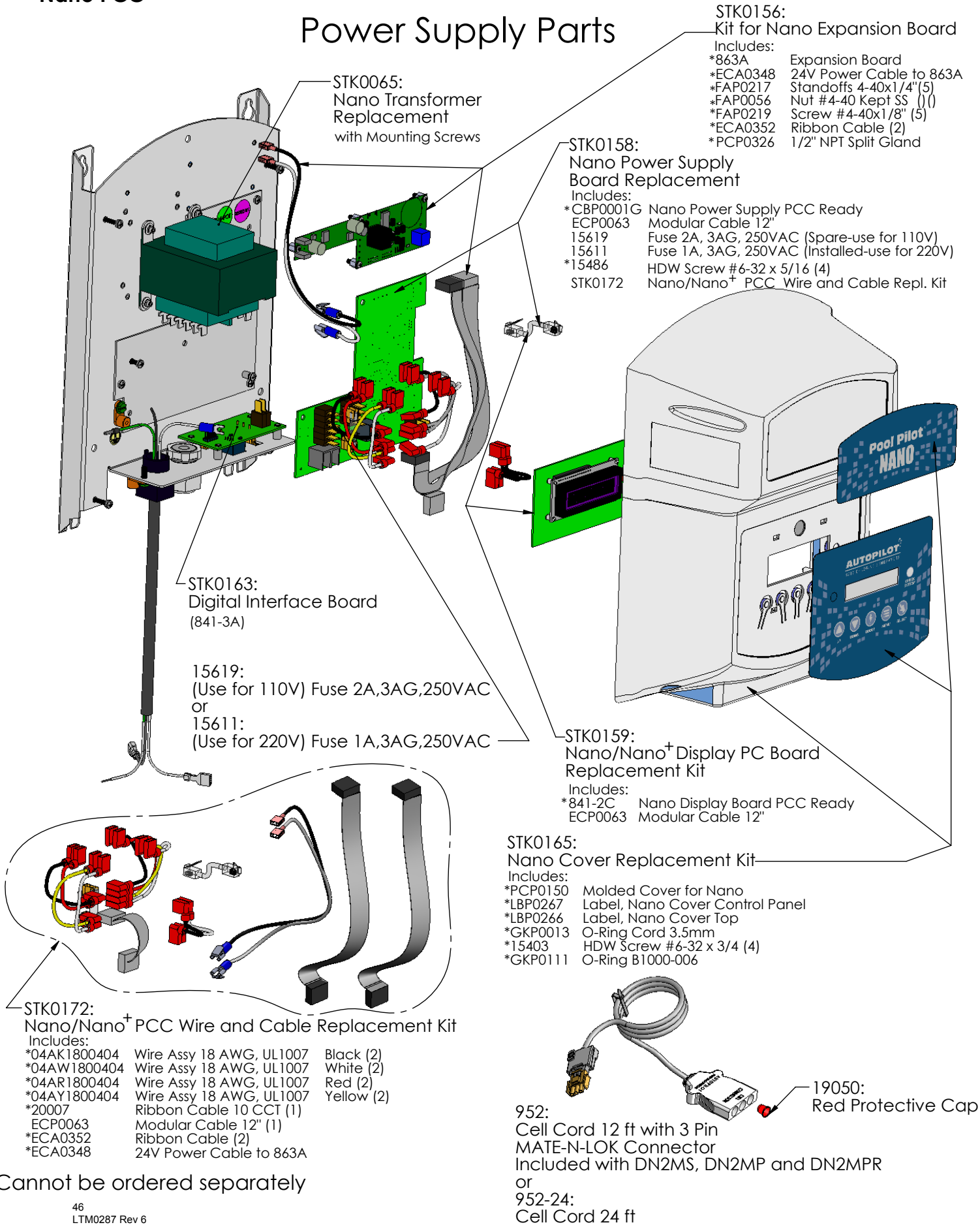
PART #	DESCRIPTION
DN2MPR	Nano, 220V with PPM1M Manifold, Cover Detect Switch, Peristaltic Pump, pH Probe and Redox/ORP Probe, with Metric Adapters Eng, Esp, Fra, Ger, Ita, Ces Languages



**CAUTION:** Sulfuric Acid is approved for dispensing by the Pool Chemistry Controller (PCC) Models 75054 and 75055. Muriatic/Hydrochloric Acid is **NOT** approved for dispensing by the PCC and will void warranty coverage if dispensed by the PCC.

# NANO PCC SYSTEMS

## Power Supply Parts



STK0065:  
Nano Transformer  
Replacement  
with Mounting Screws

STK0156:  
Kit for Nano Expansion Board  
Includes:  
\*863A Expansion Board  
\*ECA0348 24V Power Cable to 863A  
\*FAP0217 Standoffs 4-40x1/4" (5)  
\*FAP0056 Nut #4-40 Kept SS (1)  
\*FAP0219 Screw #4-40x1/8" (5)  
\*ECA0352 Ribbon Cable (2)  
\*PCP0326 1/2" NPT Split Gland

STK0158:  
Nano Power Supply  
Board Replacement

Includes:  
\*CBP0001G Nano Power Supply PCC Ready  
ECP0063 Modular Cable 12"  
15619 Fuse 2A, 3AG, 250VAC (Spare-use for 110V)  
15611 Fuse 1A, 3AG, 250VAC (Installed-use for 220V)  
\*15486 HDW Screw #6-32 x 5/16 (4)  
STK0172 Nano/Nano+ PCC Wire and Cable Repl. Kit

STK0163:  
Digital Interface Board  
(841-3A)

15619:  
(Use for 110V) Fuse 2A,3AG,250VAC  
or  
15611:  
(Use for 220V) Fuse 1A,3AG,250VAC

STK0159:  
Nano/Nano+ Display PC Board  
Replacement Kit

Includes:  
\*841-2C Nano Display Board PCC Ready  
ECP0063 Modular Cable 12"

STK0165:  
Nano Cover Replacement Kit

Includes:  
\*PCP0150 Molded Cover for Nano  
\*LBP0267 Label, Nano Cover Control Panel  
\*LBP0266 Label, Nano Cover Top  
\*GKP0013 O-Ring Cord 3.5mm  
\*15403 HDW Screw #6-32 x 3/4 (4)  
\*GKP0111 O-Ring B1000-006

STK0172:  
Nano/Nano+ PCC Wire and Cable Replacement Kit

Includes:  
\*04AK1800404 Wire Assy 18 AWG, UL1007 Black (2)  
\*04AW1800404 Wire Assy 18 AWG, UL1007 White (2)  
\*04AR1800404 Wire Assy 18 AWG, UL1007 Red (2)  
\*04AY1800404 Wire Assy 18 AWG, UL1007 Yellow (2)  
\*20007 Ribbon Cable 10 CCT (1)  
ECP0063 Modular Cable 12" (1)  
\*ECA0352 Ribbon Cable (2)  
\*ECA0348 24V Power Cable to 863A

19050:  
Red Protective Cap

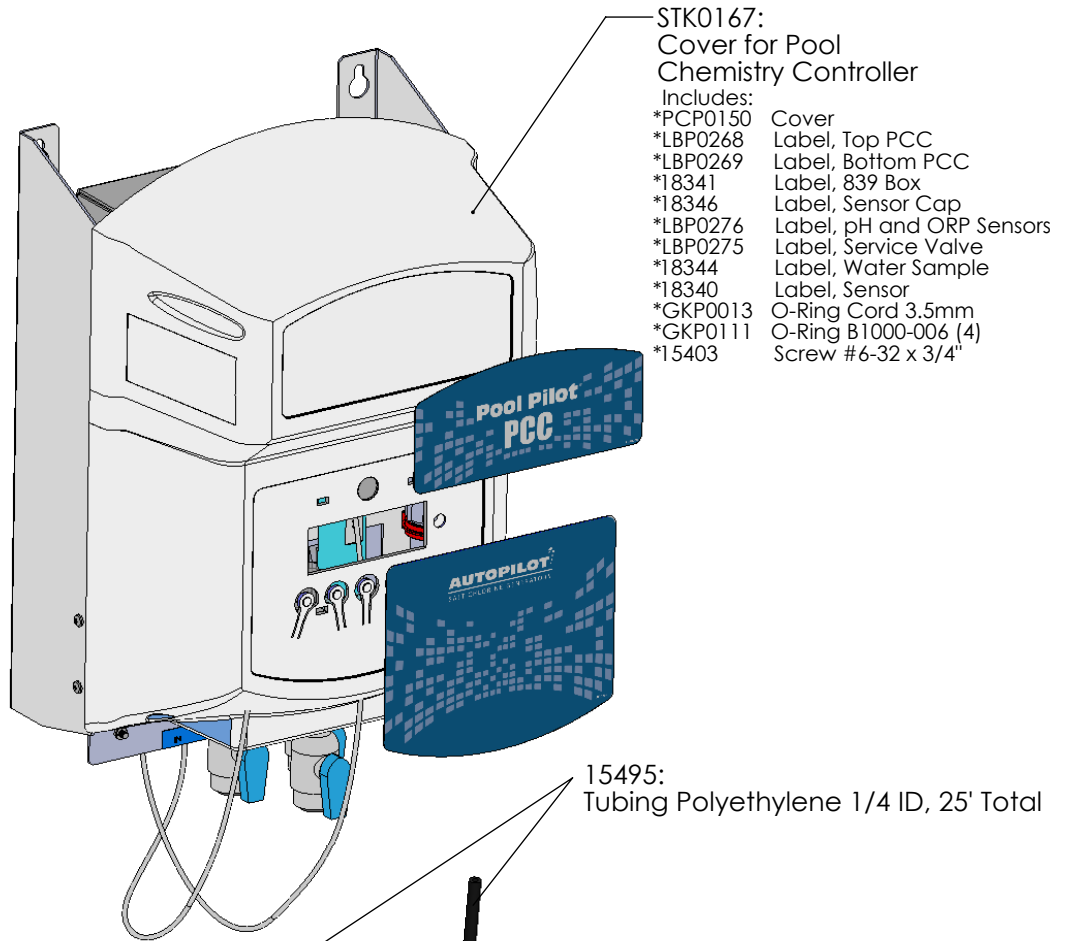
952:  
Cell Cord 12 ft with 3 Pin  
MATE-N-LOK Connector  
Included with DN2MS, DN2MP and DN2MPR  
or  
952-24:  
Cell Cord 24 ft

\*Cannot be ordered separately

# NANO PCC SYSTEMS

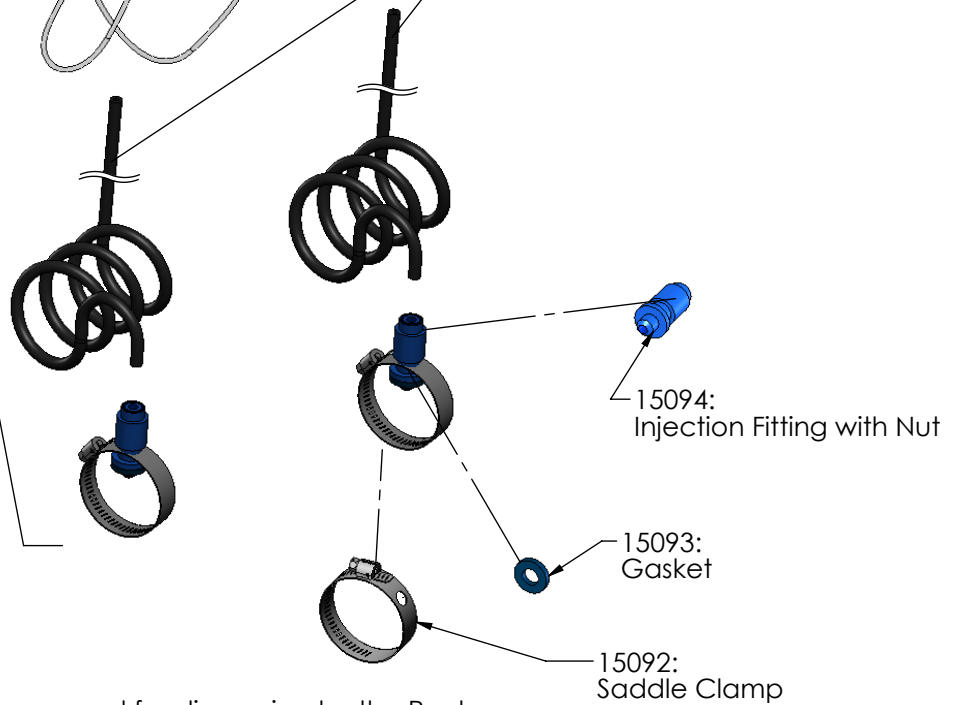
## Pool Chemistry Controller Parts

Nano PCC



17013:  
Accessory Kit For 75054/75055

Includes:  
 \*331 Anchors (4)  
 \*330-HEX HDW Screw #10 x 1 (4)  
 15092 Saddle Clamp (2)  
 15093 Gasket (2)  
 15094 Injection Fitting (2)  
 15495 Polyethylene Tubing  
 1/4" ID x 3/8" OD x 25'



**CAUTION:** Sulfuric Acid is approved for dispensing by the Pool Chemistry Controller (PCC) Models 75054 and 75055. Muriatic/Hydrochloric Acid is **NOT** approved for dispensing by the PCC and will void warranty coverage if dispensed by the PCC.

\*Cannot be ordered separately

# NANO PCC SYSTEMS

## Pool Chemistry Controller Parts

**STK0173:**  
Top Box

- Includes:  
\*MTA0141 Box Assy  
\*9040 Screw, 6-32 x 3/8" (6)  
\*INP0018 Gasket for Metal Box

**STK0168:**  
Pump Kit

- Includes:  
\*ECP0272 Peristaltic Pump  
\*GKP0017 Pump Gasket  
\*ECA0349 12V Pump Cable

**19150:**  
Flow Switch

**19153:**  
Injection Flow Cell

**19152:**  
Redox/ORP Sensor

**19151:**  
pH Sensor

**17555:**  
Ball Valve, 1/4" Male NPT to QC (3)

**ECA0349:**  
12V Cable to Pump

**17212-1:**  
Modular Cable

**839N:** New  
**839R:** Remanufactured  
ORP/pH Board

**STK0164:** Service Kit for PCC

- Includes:  
839N PCB Assy ORP/pH Board  
\*15496 Nut for BNC Connector (2)  
\*15497 Lockwasher for BNC Connector (2)  
17212-1 Modular Cable with Gland  
\*MTA0138 Metal Box for 839 Board  
\*INP0018 Gasket for Metal Box  
\*9040 Screw, #6-32 x 3/8" (6)  
\*15402-1 Screw, #6-32 x 1/4" (2)  
\*18341 Label, 839 Box

**STK0031:**  
Flow Cell Kit  
for Service Use

- Includes:  
19153 Flow Cell Injection  
19150 Flow Switch Total Control  
17555 Ball Valve 1/4 Male NPT to QC (3)  
\*15657 HDW Screw #10-32 x 3/8 PPMS (4)  
\*15432 HDW #10 Lock Washer (4)

**STK0174:**  
Inner Hose for Peristaltic Pump

**STK0175:**  
Motor for Peristaltic Pump

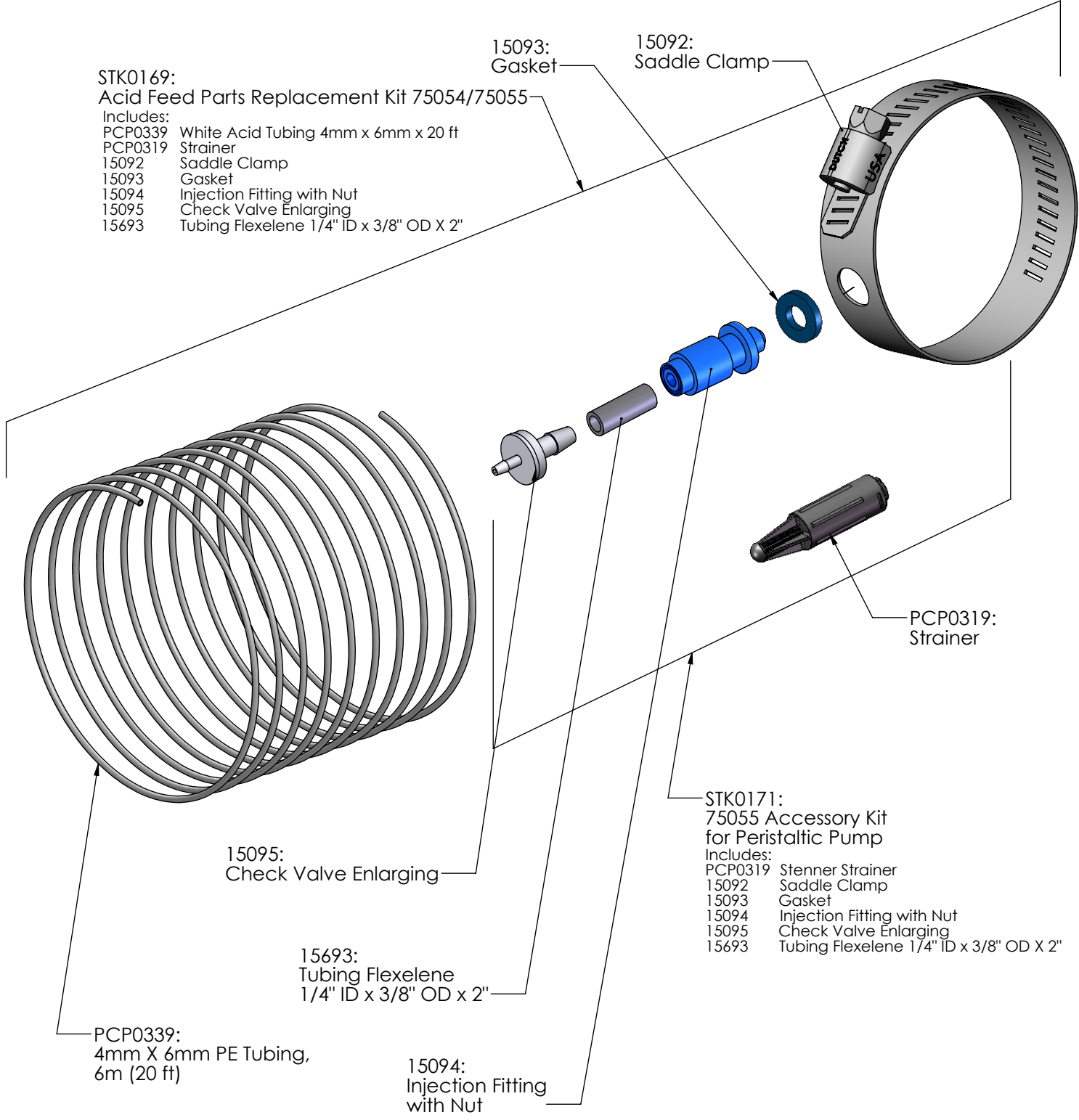
**STK0176:**  
Pump Casing with Hose,  
Front Panel and Rollers

\*Cannot be ordered separately

# NANO PCC SYSTEMS

## Pool Chemistry Controller Parts

Nano PCC



**STK0169:**  
**Acid Feed Parts Replacement Kit 75054/75055**  
 Includes:  
 PCP0339 White Acid Tubing 4mm x 6mm x 20 ft  
 PCP0319 Strainer  
 15092 Saddle Clamp  
 15093 Gasket  
 15094 Injection Fitting with Nut  
 15095 Check Valve Enlarging  
 15693 Tubing Flexelene 1/4" ID x 3/8" OD X 2"

15093:  
Gasket

15092:  
Saddle Clamp

PCP0319:  
Strainer

15095:  
Check Valve Enlarging

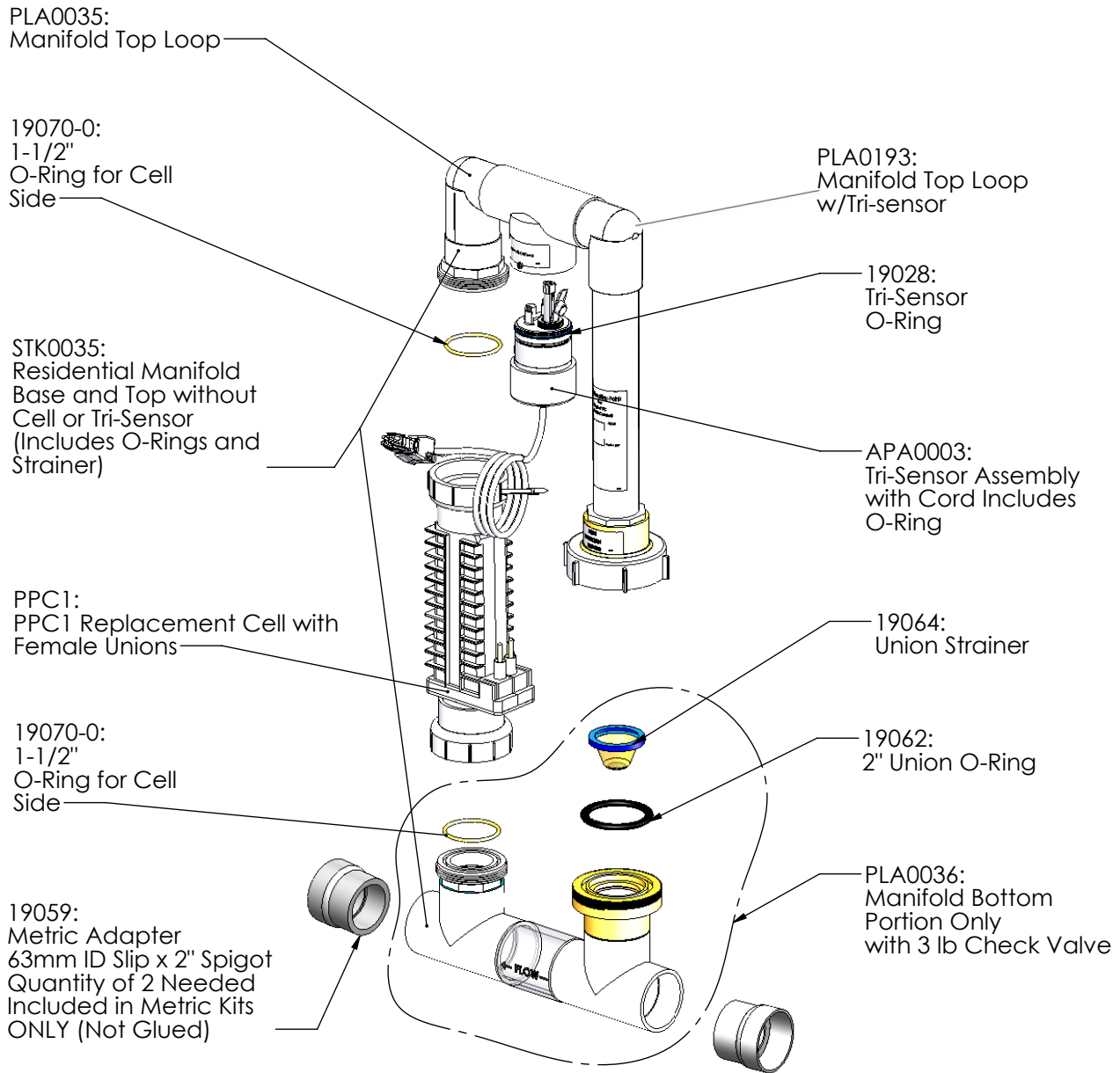
15693:  
Tubing Flexelene  
1/4" ID x 3/8" OD x 2"

PCP0339:  
4mm X 6mm PE Tubing,  
6m (20 ft)

15094:  
Injection Fitting  
with Nut

**STK0171:**  
**75055 Accessory Kit  
 for Peristaltic Pump**  
 Includes:  
 PCP0319 Stenner Strainer  
 15092 Saddle Clamp  
 15093 Gasket  
 15094 Injection Fitting with Nut  
 15095 Check Valve Enlarging  
 15693 Tubing Flexelene 1/4" ID x 3/8" OD X 2"

# SINGLE SYSTEM MANIFOLDS

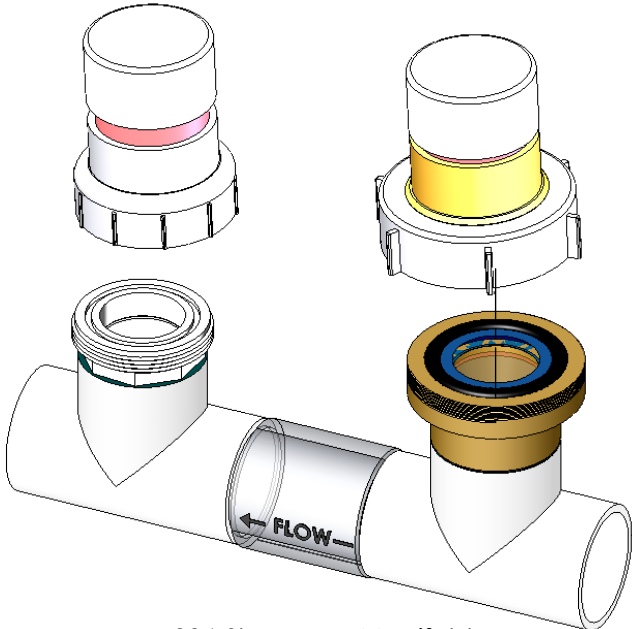
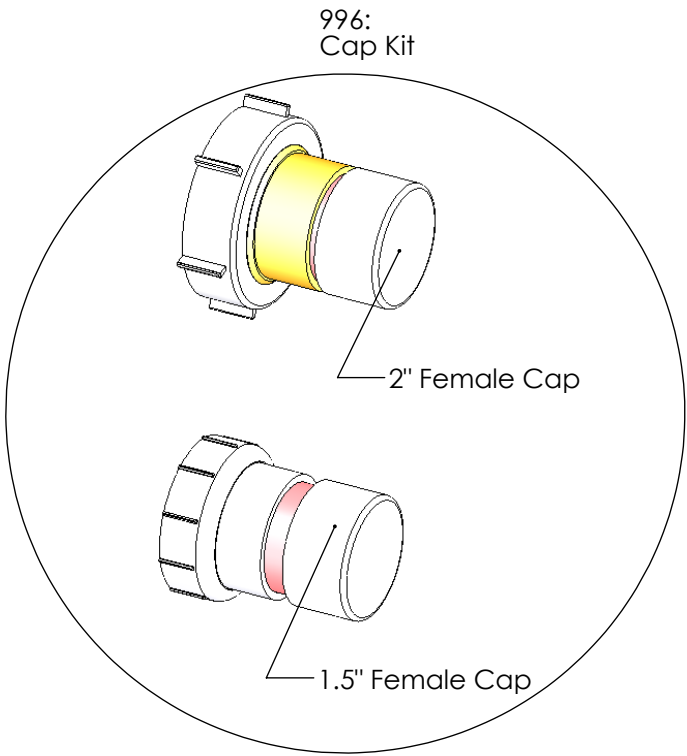
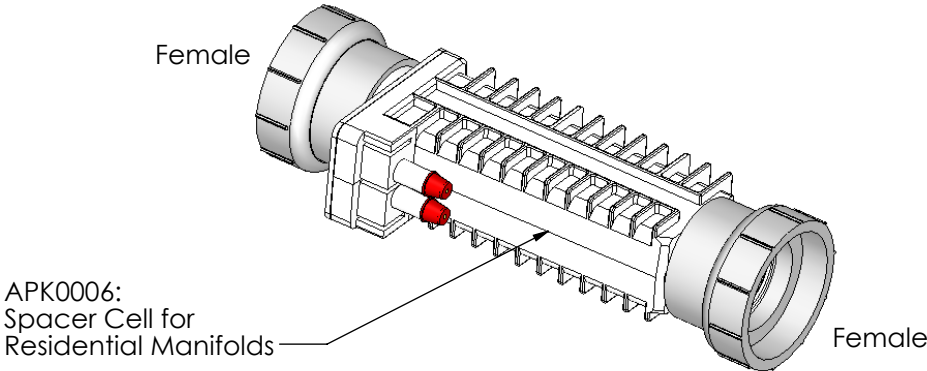


Single System Manifolds/Cells

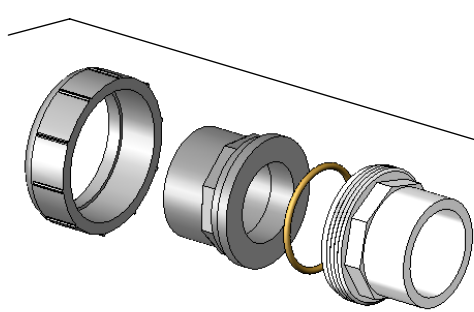
PART #	DESCRIPTION
PPM1M	Manifold Assy with PPC1 Cell and Metric Adapters

# MANIFOLD ACCESSORIES/TOOLS

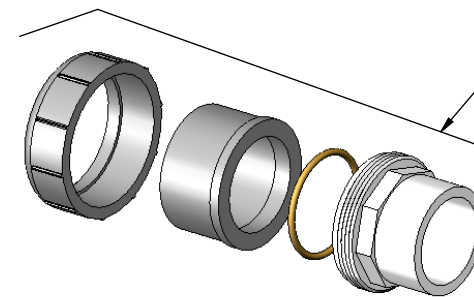
Nano PCC



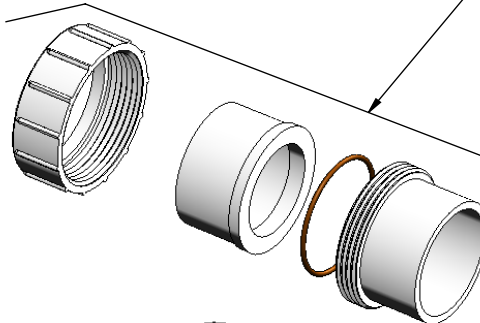
# Nano PCC MANIFOLD ACCESSORIES/TOOLS



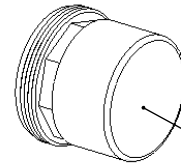
19073:  
Union Kit  
Includes:  
312-A Union Nut  
312-F Union Half, 2" Spigot/1.5" Slip X Female Union  
19070-0 1-1/2" O-Ring  
312-C Union Half, 1.5" Slip/2" Spigot x Male Thread Union



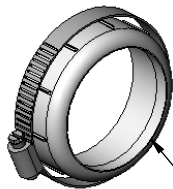
19070:  
Union Kit  
Includes:  
312-A Union Nut  
312-B Union Half, 2" Slip x Female Union  
19070-0 1-1/2" O-Ring  
312-C Union Half, 1.5" Slip/2" Spigot x Male Thread Union



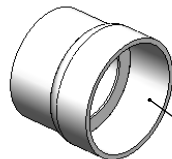
PLS2627:  
Union Kit  
Includes:  
312-A Union Nut  
312-B Union Half, 2" Slip x Female Union  
312-D Union Half, 2" Slip x Male Thread Union (with O-Ring 19069-0)  
or  
PLS0001:  
Union Kit-Pack of 10 PLS2627



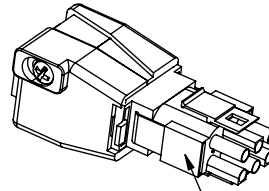
PLA0113:  
Cell Cleaning  
Kit (Male)



STK0048:  
Cracked Union Nut  
Service Kit



19059:  
Metric Adapter  
63mm ID Slip x 2" Spigot  
Quantity of 2 Needed  
Included in Metric Kits  
ONLY (Not Glued)

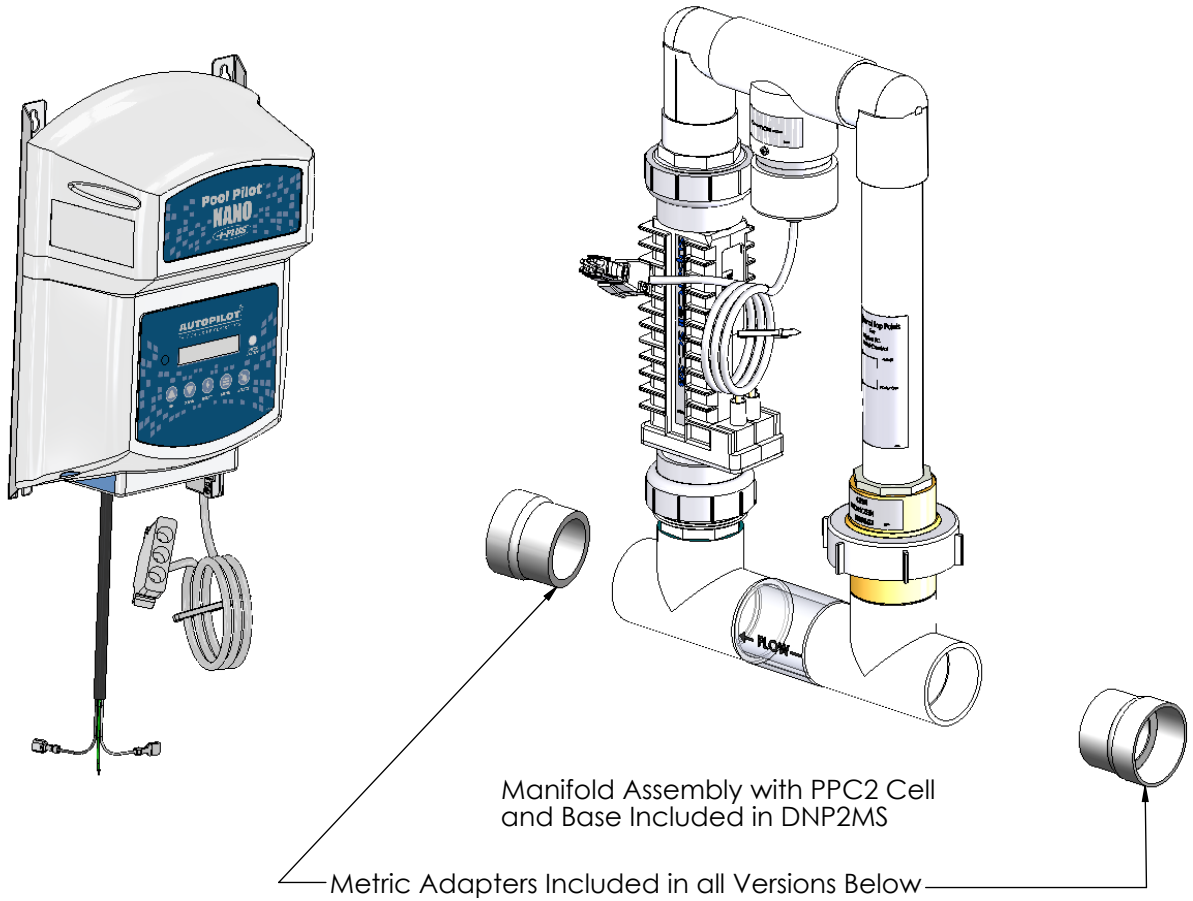


986-ST:  
Tri-Sensor Simulator  
(Simulates APA0003)



# NANO<sup>+</sup> PCC SYSTEMS

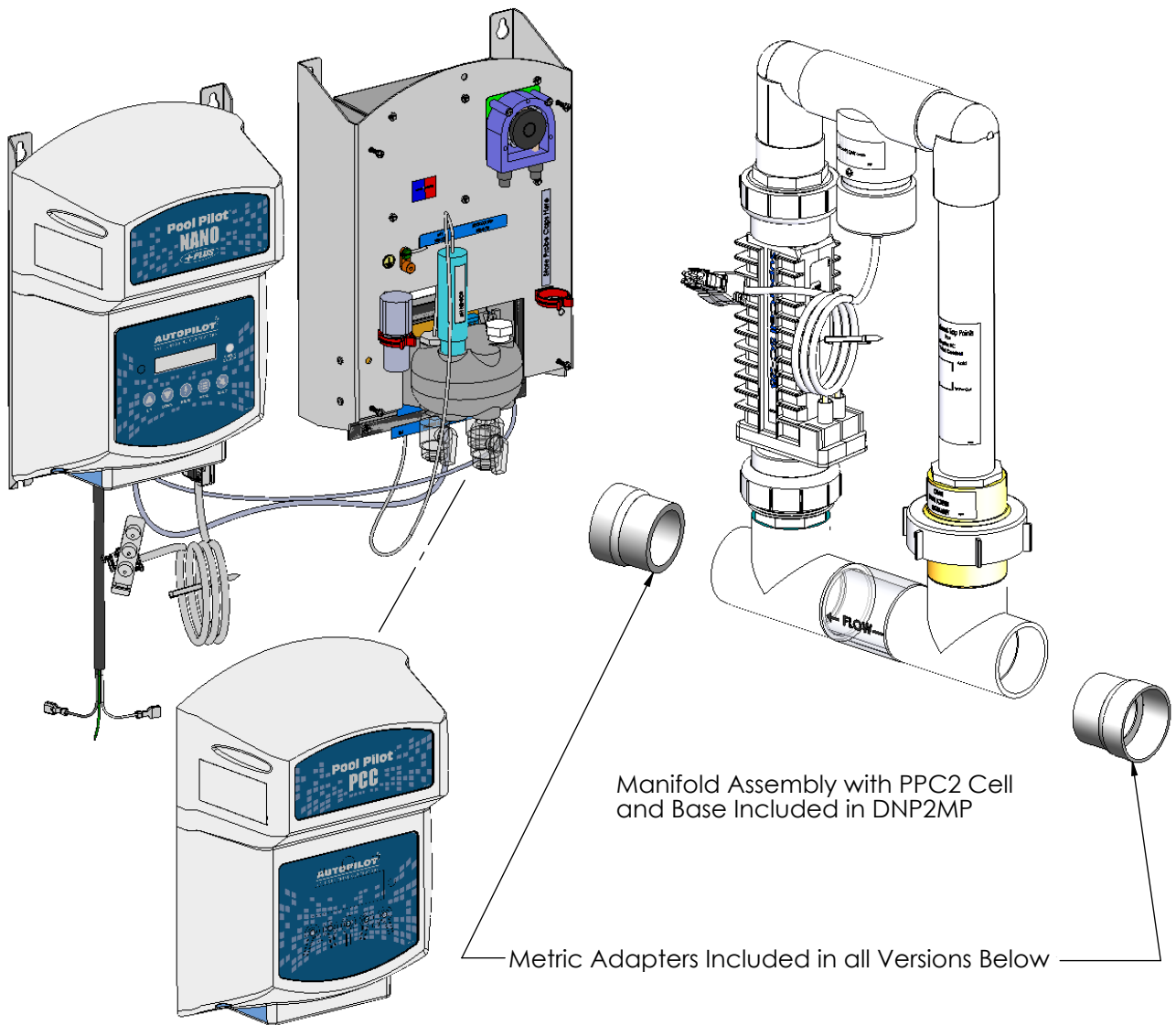
Nano<sup>+</sup> PCC



PART #	DESCRIPTION
DNP2MS	Nano+, 220V with PPM2M Manifold, Cover Detect Switch and PCC Ready, with Metric Adapters Eng, Exp, Fra, Ger, Ita, Ces Languages

# NANO<sup>+</sup> PCC SYSTEMS

## With Pool Chemistry Controller



PART #	DESCRIPTION
DNP2MP	Nano <sup>+</sup> , 220V with PPM2M Manifold, Cover Detect Switch, Peristaltic Pump, pH Probe and PCC ready, with Metric Adapters Eng, Esp, Fra, Ger, Ita, Ces Languages

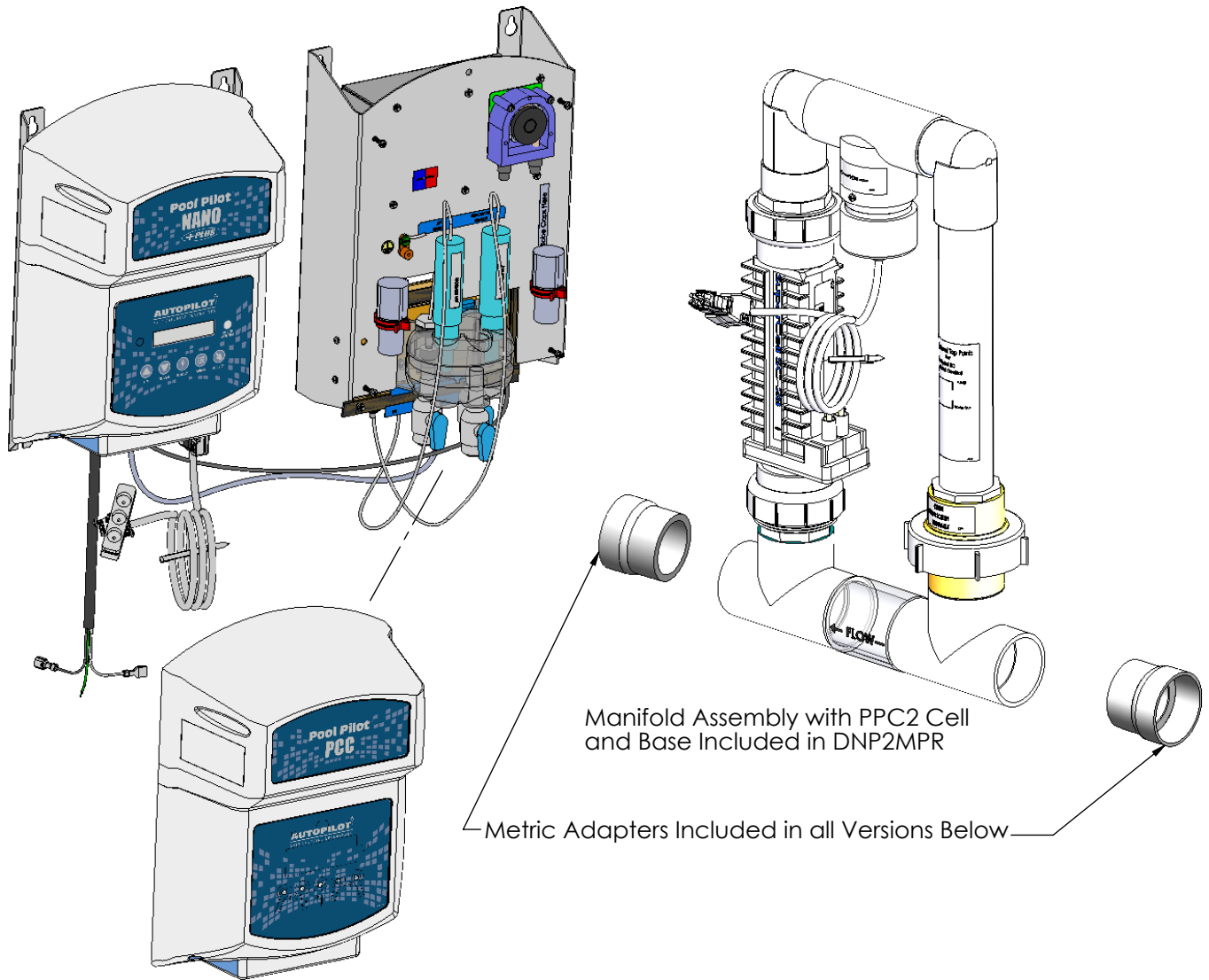


**CAUTION:** Sulfuric Acid is approved for dispensing by the Pool Chemistry Controller (PCC) Models 75054 and 75055. Muriatic/Hydrochloric Acid is **NOT** approved for dispensing by the PCC and will void warranty coverage if dispensed by the PCC.

# NANO<sup>+</sup> PCC SYSTEMS

## With Pool Chemistry Controller

Nano<sup>+</sup> PCC



PART #	DESCRIPTION
DNP2MPR	Nano+, 220V with PPM2M Manifold, Cover Detect Switch, Peristaltic Pump, pH Probe and Redox/ORP Probe, with Metric Adapters Eng, Esp, Fra, Ger, Ita, Ces Languages



**CAUTION:** Sulfuric Acid is approved for dispensing by the Pool Chemistry Controller (PCC) Models 75054 and 75055. Muriatic/Hydrochloric Acid is **NOT** approved for dispensing by the PCC and will void warranty coverage if dispensed by the PCC.

Nano+ PCC

# NANO+ PCC SYSTEMS

## Power Supply Parts

STK0124:  
Nano+ Transformer  
Replacement  
with Mounting Screws

STK0156:  
Kit for Nano Expansion Board  
Includes:  
\*863A Expansion Board  
\*ECA0348 24V Power Cable to 863A  
\*FAP0217 Standoffs 4-40x1/4" (5)  
\*FAP0219 Screw #4-40x1/8" (5)  
\*FAP0056 Nut #4-40 Kept SS (1)  
\*ECA0352 Ribbon Cable (2)  
\*PCP0326 1/2" NPT Split Gland

STK0157:  
Nano+ Power Supply  
Board Replacement  
Includes:  
\*CBA0001H Nano+ Power Supply PCC Ready  
ECP0063 Modular Cable 12"  
15619 Fuse 2A, 3AG, 250VAC (Spare-use for 110V)  
15611 Fuse 1A, 3AG, 250VAC (Installed-use for 220V)  
\*15486 HDW Screw #6-32 x 5/16 (4)  
STK0172 Nano/Nano+ PCC Wire and Cable Repl. Kit

STK0163:  
Digital Interface Board  
(841-3A)

15619:  
(Use for 110V) Fuse 2A,3AG,250VAC  
or  
15611:  
(Use for 220V) Fuse 1A,3AG,250VAC

STK0159:  
Nano/Nano+ Display PC Board  
Replacement Kit  
Includes:  
\*841-2C Nano Display Board PCC Ready  
ECP0063 Modular Cable 12"

STK0166:  
Nano+ Cover Replacement Kit  
Includes:

\*PCP0150 Molded Cover for Nano  
\*LBP0267 Label, Nano Cover Control Panel  
\*LBP0270 Label, Nano+ Top Cover  
\*GKP0013 O-Ring Cord 3.5mm  
\*15403 HDW Screw #6-32 x 3/4 (4)  
\*GKP0111 O-Ring B1000-006

STK0172:  
Nano/Nano+ PCC Wire and Cable Replacement Kit  
Includes:

*04AK1800404	Wire Assy 18 AWG, UL1007	Black (2)
*04AW1800404	Wire Assy 18 AWG, UL1007	White (2)
*04AR1800404	Wire Assy 18 AWG, UL1007	Red (2)
*04AY1800404	Wire Assy 18 AWG, UL1007	Yellow (2)
*20007	Ribbon Cable 10 CCT (1)	
ECP0063	Modular Cable 12" (1)	
*ECA0352	Ribbon Cable (2)	
*ECA0348	24V Power Cable to 863A	

952:  
Cell Cord 12 ft with 3 Pin  
MATE-N-LOK Connector  
Included with DNP2MS, DNP2MP and DNP2MPR  
or  
952-24:  
Cell Cord 24 ft

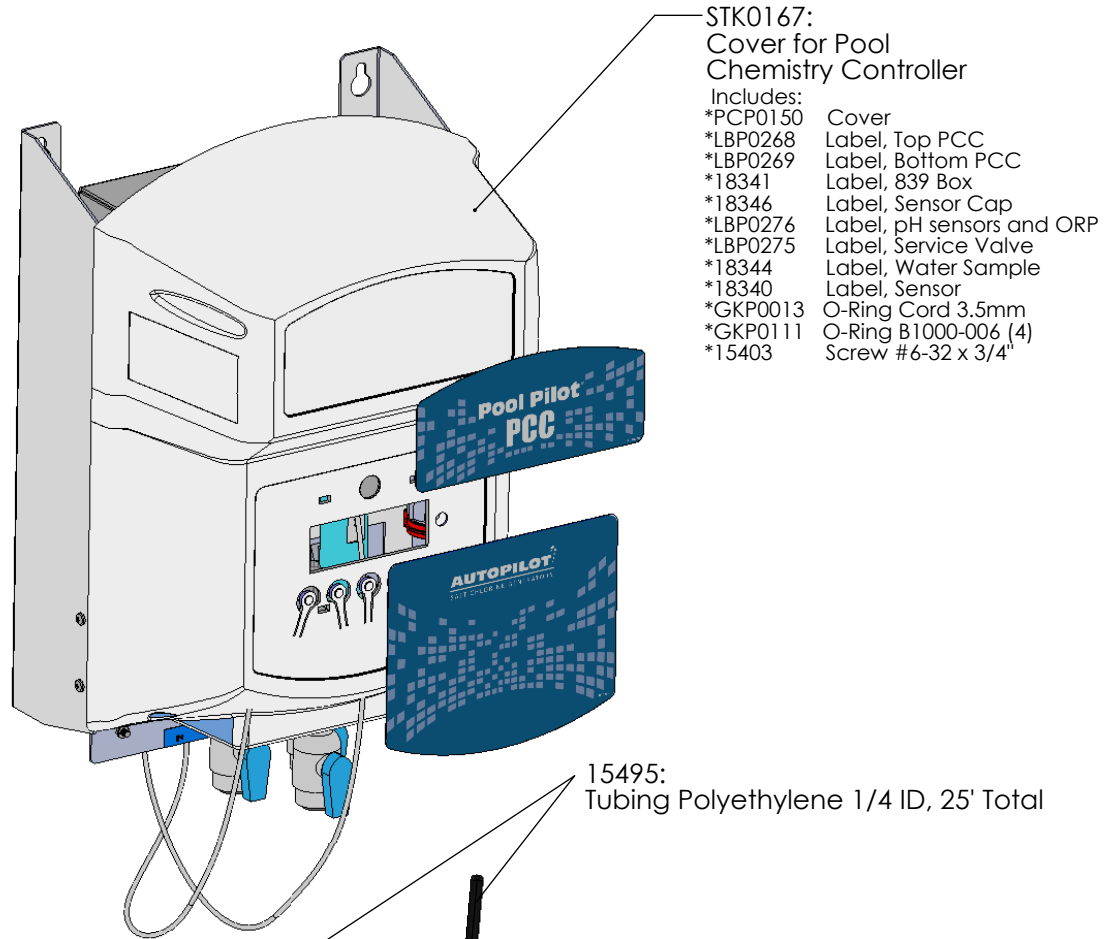
19050:  
Red Protective Cap

\*Cannot be ordered separately

# NANO<sup>+</sup> PCC SYSTEMS

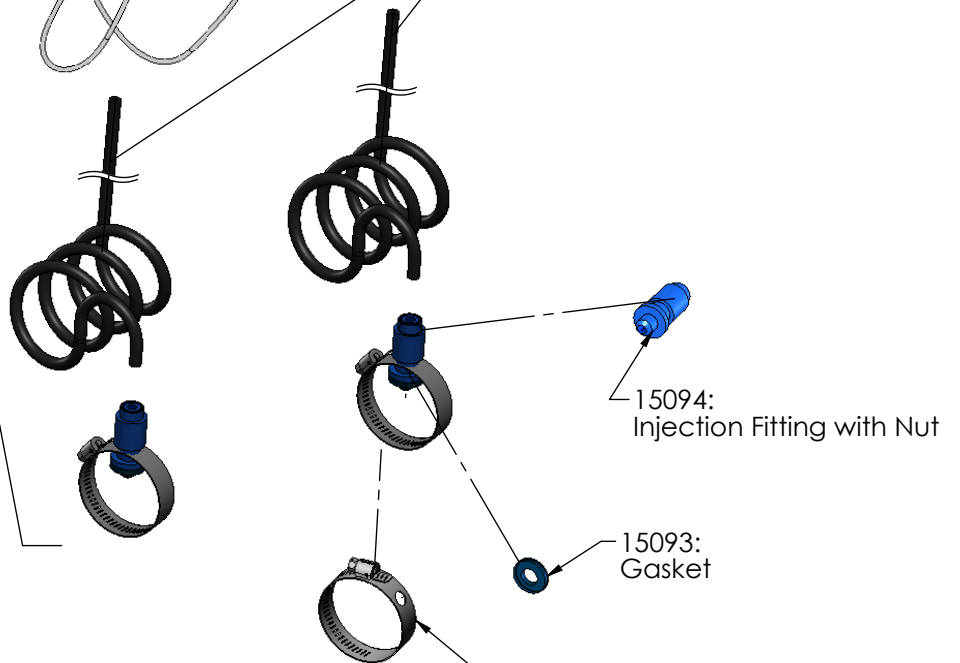
## Pool Chemistry Controller Parts

Nano<sup>+</sup> PCC



17013:  
Accessory Kit For 75054/75055

- Includes:
- \*331 Anchors (4)
  - \*330-HEX HDW Screw #10 x 1 (4)
  - 15092 Saddle Clamp (2)
  - 15093 Gasket (2)
  - 15094 Injection Fitting (2)
  - 15495 Polyethylene Tubing 1/4" ID x 3/8" OD x 25'



**CAUTION:** Sulfuric Acid is approved for dispensing by the Pool Chemistry Controller (PCC) Models 75054 and 75055. Muriatic/Hydrochloric Acid is **NOT** approved for dispensing by the PCC and will void warranty coverage if dispensed by the PCC.

\*Cannot be ordered separately

Nano<sup>+</sup> PCC

# NANO<sup>+</sup> PCC SYSTEMS

## Pool Chemistry Controller Parts

**STK0173:**  
Top Box

- Includes:  
 \*MTA0141 Box Assy  
 \*9040 Screw, #6-32 x 3/8" (6)  
 \*INP0018 Gasket for Metal Box

**STK0168:**  
Pump Kit

- Includes:  
 \*ECP0272 Peristaltic Pump  
 \*GKP0017 Pump Gasket  
 \*ECA0349 12V Pump Cable

**19150:**  
Flow Switch

**19153:**  
Injection Flow Cell

**19152:**  
Redox/ORP Sensor

**19151:**  
pH Sensor

**17555:**  
Ball Valve, 1/4" Male NPT to QC (3)

**ECA0349:**  
12V Cable to Pump

**17212-1:**  
Modular Cable

**839N:** New  
**839R:** Remanufactured  
ORP/pH Board

**STK0164:** Service Kit for PCC

- Includes:  
 839N PCB Assy ORP/pH Board  
 \*15496 Nut for BNC Connector (2)  
 \*15497 Lockwasher for BNC Connector (2)  
 17212-1 Modular Cable with Gland  
 \*MTA0138 Metal Box for 839 Board  
 \*INP0018 Gasket for Metal Box  
 \*9040 Screw, #6-32 x 3/8" (6)  
 \*15402-1 Screw, #6-32 x 1/4" (2)  
 \*18341 Label, 839 Box

**STK0031:**  
Flow Cell Kit  
for Service Use

- Includes:  
 19153 Flow Cell Injection  
 19150 Flow Switch Total Control  
 17555 Ball Valve 1/4 Male NPT to QC (3)  
 \*15657 HDW Screw #10-32 x 3/8 PPMS (4)  
 \*15432 HDW #10 Lock Washer (4)

**STK0174:**  
Inner Hose for Peristaltic Pump

**STK0175:**  
Motor for Peristaltic Pump

**STK0176:**  
Pump Casing with Hose,  
Front Panel and Rollers

\*Cannot be ordered separately

# NANO<sup>+</sup> PCC SYSTEMS

## Pool Chemistry Controller Parts

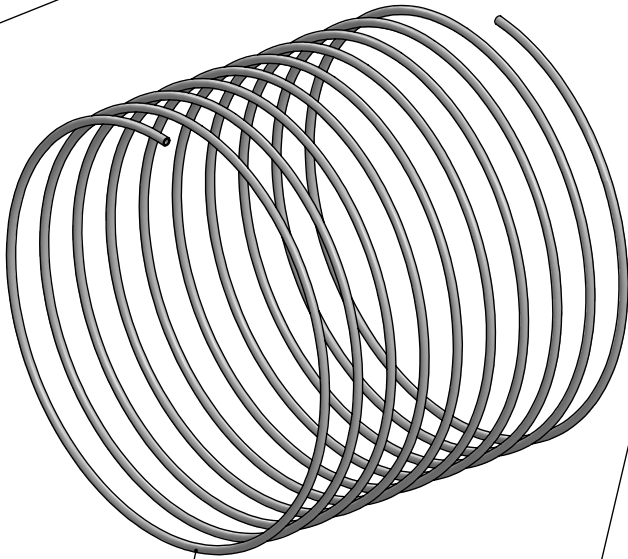
Nano<sup>+</sup> PCC

STK0169:  
Acid Feed Parts Replacement Kit 75054/75055

Includes:  
PCP0339 White Acid Tubing 4mm x 6mm x 20 ft  
PCP0319 Strainer  
15092 Saddle Clamp  
15093 Gasket  
15094 Injection Fitting with Nut  
15095 Check Valve Enlarging  
15693 Tubing Flexelene 1/4" ID x 3/8" OD X 2"

15093:  
Gasket

15092:  
Saddle Clamp

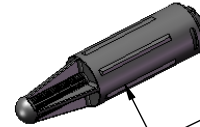
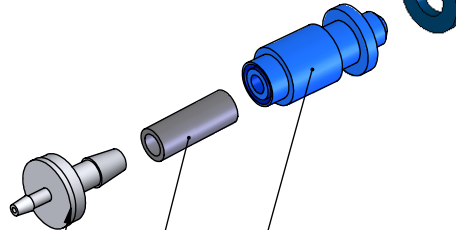


15095:  
Check Valve Enlarging

15693:  
Tubing Flexelene  
1/4" ID x 3/8" OD x 2"

15094:  
Injection Fitting  
with Nut

PCP0339:  
4mm X 6mm PE Tubing,  
6m (20 ft)



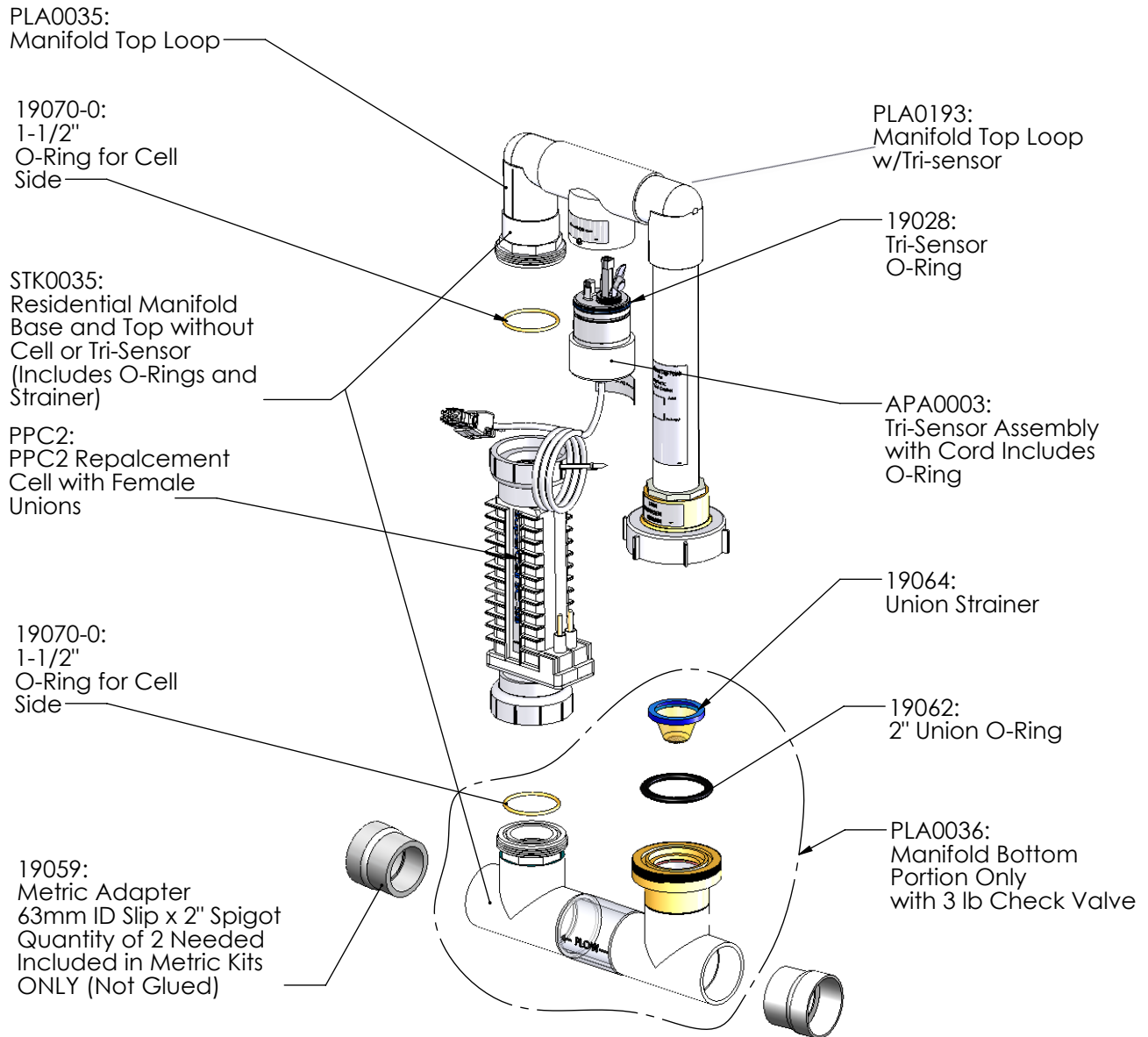
PCP0319:  
Strainer

STK0171:  
75055 Accessory Kit  
for Peristaltic Pumps

Includes:  
PCP0319 Stenner Strainer  
15092 Saddle Clamp  
15093 Gasket  
15094 Injection Fitting with Nut  
15095 Check Valve Enlarging  
15693 Tubing Flexelene 1/4" ID x 3/8" OD X 2"



# Nano+ PCC SINGLE SYSTEM MANIFOLDS



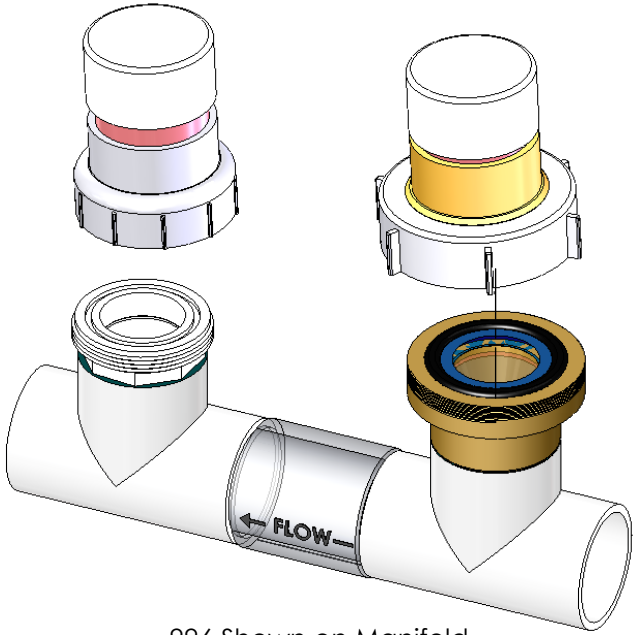
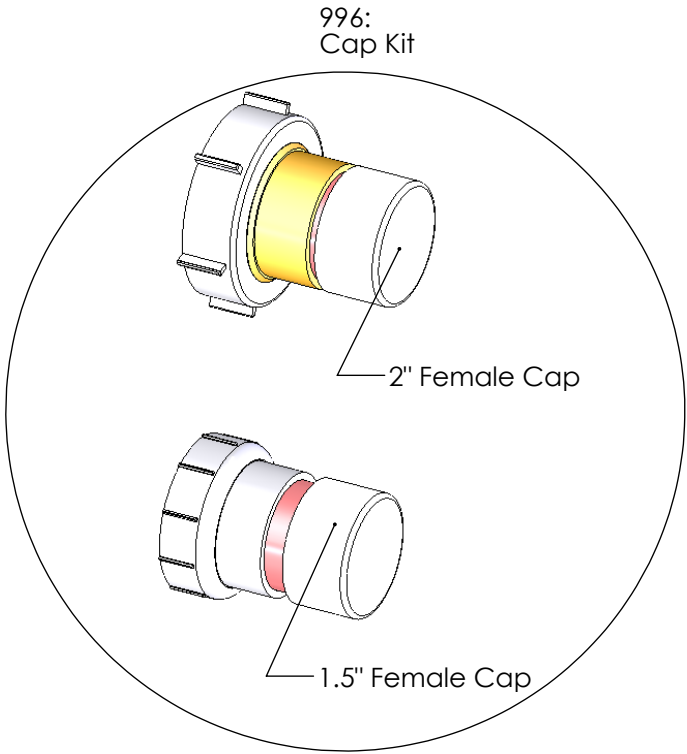
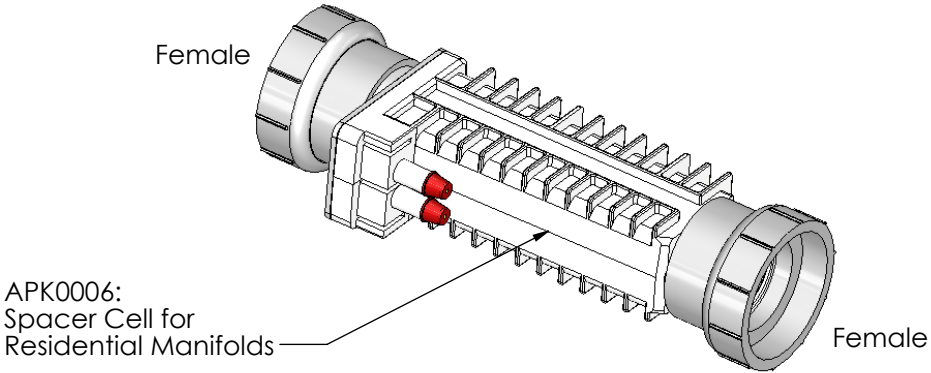
Single System Manifolds/Cells

PART #	DESCRIPTION
PPM2M	Manifold Assy with PPC2 Cell and Metric Adapters

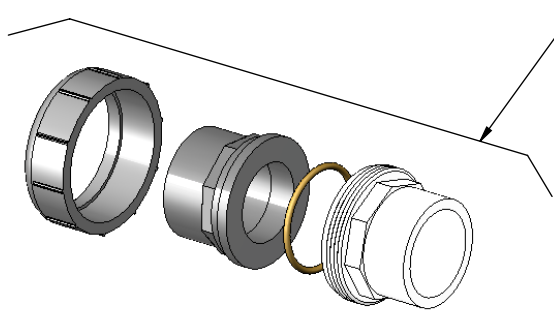


# MANIFOLD ACCESSORIES/TOOLS

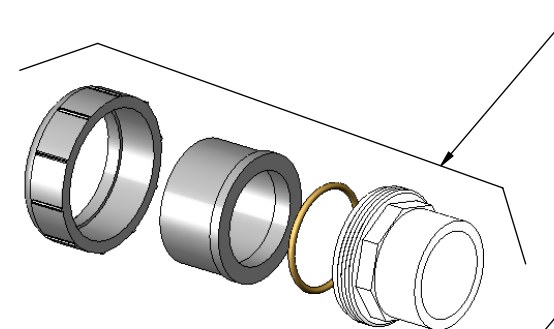
Nano+ PCC



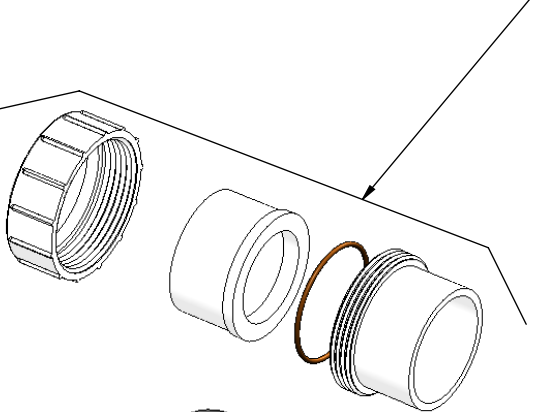
# Nano+ PCC MANIFOLD ACCESSORIES/TOOLS



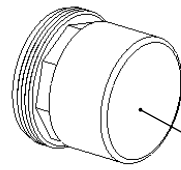
19073:  
Union Kit  
Includes:  
312-A Union Nut  
312-F Union Half, 2" Spigot/1.5" Slip X Female Union  
19070-0 1-1/2" O-Ring  
312-C Union Half, 1.5" Slip/2" Spigot x Male Thread Union



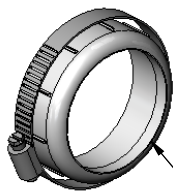
19070:  
Union Kit  
Includes:  
312-A Union Nut  
312-B Union Half, 2" Slip x Female Union  
19070-0 1-1/2" O-Ring  
312-C Union Half, 1.5" Slip/2" Spigot x Male Thread Union



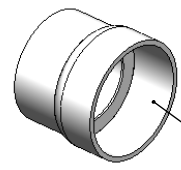
PLS2627:  
Union Kit  
Includes:  
312-A Union Nut  
312-B Union Half, 2" Slip x Female Union  
312-D Union Half, 2" Slip x Male Thread Union (with O-Ring 19069-0)  
or  
PLS0001:  
Union Kit-Pack of 10 PLS2627



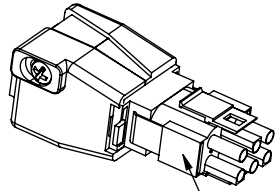
PLA0113:  
Cell Cleaning  
Kit (Male)



STK0048:  
Cracked Union Nut  
Service Kit



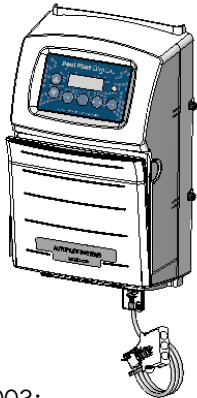
19059:  
Metric Adapter  
63mm ID Slip x 2" Spigot  
Quantity of 2 Needed  
Included in Metric Kits  
ONLY (Not Glued)



986-ST:  
Tri-Sensor Simulator  
(Simulates APA0003)

# TOTAL CONTROL

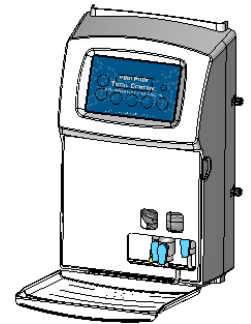
## Total Control



75003:  
Salt Chlorine Generator

### Total Control Components

PART #	DESCRIPTION
75001	Pool Chemistry Controller
75003	Salt Chlorine Generator with Eng, Esp, Fra, and Ita Languages
75008	Acid Feeder Relay Box (optional)



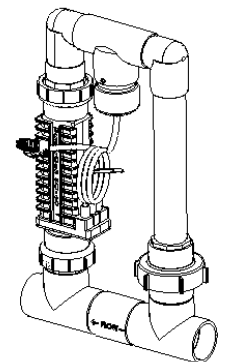
75001:  
Pool Chemistry Controller

### Choice of Stenner Pump/Tank

PART #	DESCRIPTION
75004	Stenner Pump/Tank 120V/60Hz - 15 Gal
75005	Stenner Pump/Tank 220V/60Hz - 15 Gal
75006	Stenner Pump/Tank 230-250V/50Hz - 15 Gal
75009	Stenner Pump/Tank 230-250V/50Hz - 30 Gal
75010	Stenner Pump/Tank 220V/60Hz - 30 Gal
75012	Stenner Pump/Tank 120V/60Hz - 30 Gal



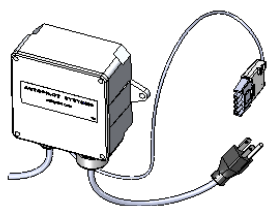
Stenner Pump/Tank



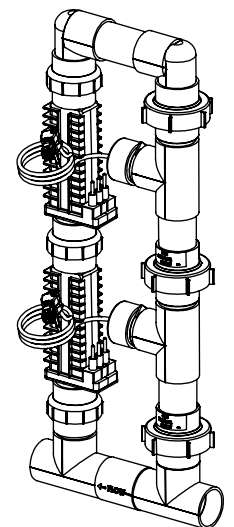
Single System Manifold

### Single System Manifold Types

PART #	DESCRIPTION	PAGE #
PPM1	Manifold Assy with PPC1 Cell	66
PPM3	Manifold Assy with PPC3 Cell	66
PPM4	Manifold Assy with PPC4 Cell	66
PPM5	Manifold Assy with PPC5 Cell	66
PPM1M	Manifold Assy with PPC1 Cell and Metric Adapters	66
PPM3M	Manifold Assy with PPC3 Cell and Metric Adapters	66
PPM4M	Manifold Assy with PPC4 Cell and Metric Adapters	66
PPM5M	Manifold Assy with PPC5 Cell and Metric Adapters	66
APK0006	Spacer Cell for Maintenance	69



75008:  
Acid Feeder Relay Box  
(Note: Required if 75003  
internal relay is used for  
another function, such  
as pump control)



Dual System Manifold

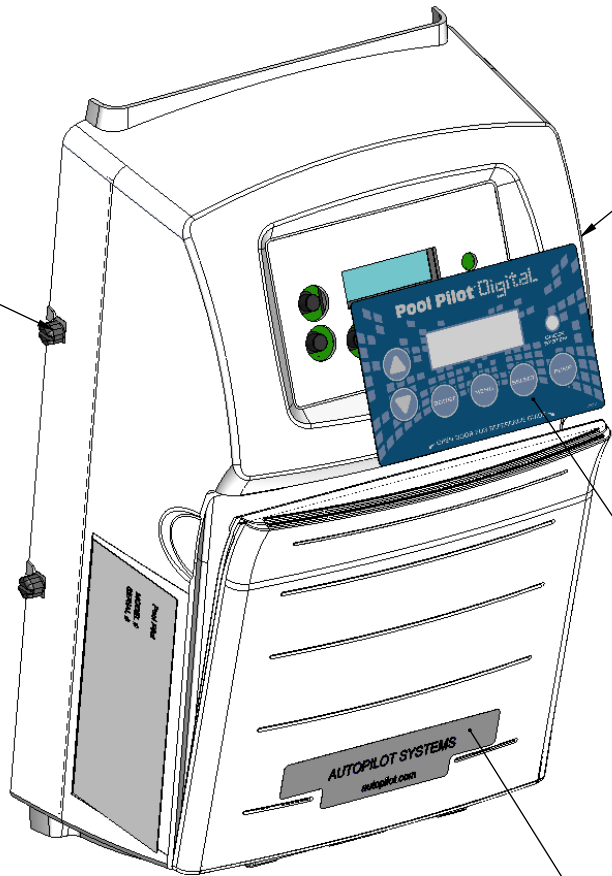
### Dual System Manifold Types

PART #	DESCRIPTION	PAGE #
941-215C-A	Manifold Commercial	67
938-SC	Spacer Cell	69

**Total Control  
75003**

# 75003 Power Supply Parts

15660-1:  
Thumbscrews  
(4)



16243:  
Cover Assy 75003

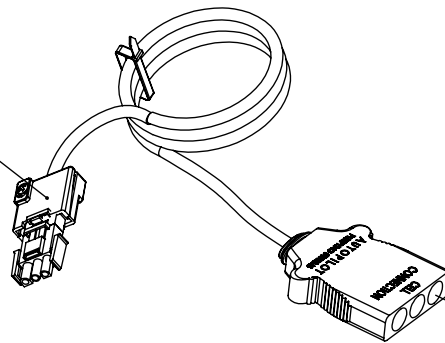
Includes:

- \*16265 Cover for 75003
- \*16266 Door for 75003
- 15660-1 Black Hybrid Fasteners
- LBP0116 Label, 75003 Control Panel
- LBP0135 Label, Front Panel for 75003
- \*18251/DIG-L1 Label, 75003 Bullets
- \*18251/DIG-R3 Label, 75003 Bullets
- \*FAP0094 Screw, 4 X 1/2 Pan Phillips
- \*18330 Label, Data Plate
- \*18329 Label, Wiring Diagram

LBP0116:  
Label, 75003  
Control Panel

LBP0135:  
Label, Front Panel  
for 75003

952:  
Cell Cord 12 ft with 3 Pin MATE-N-LOK Connector  
Included with 75003  
or  
952-24:  
Cell Cord 24 ft

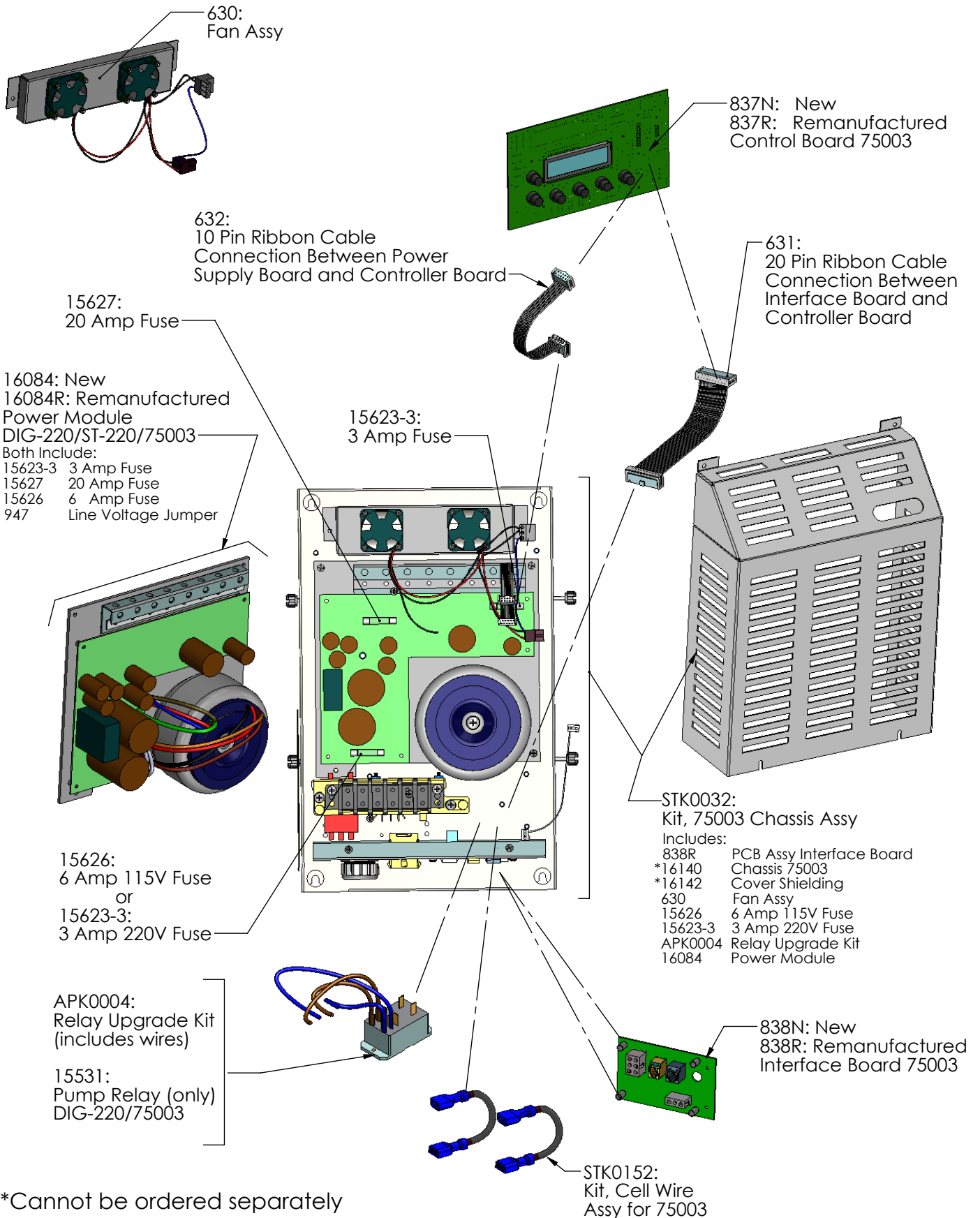


19050:  
Red Protective Cap

\*Cannot be ordered separately

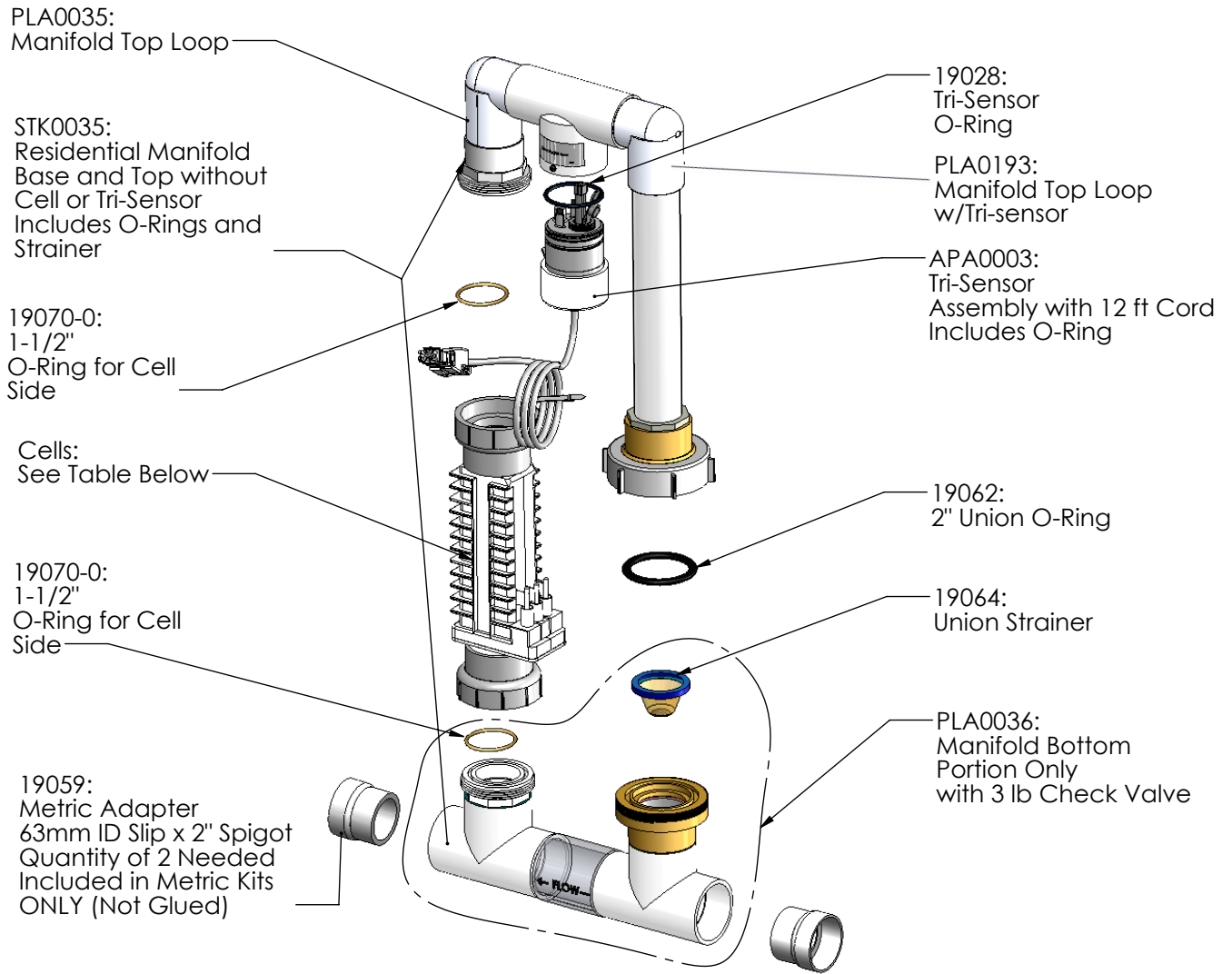
# 75003 Power Supply Parts

**Total Control  
75003**



\*Cannot be ordered separately

# SINGLE SYSTEM MANIFOLDS

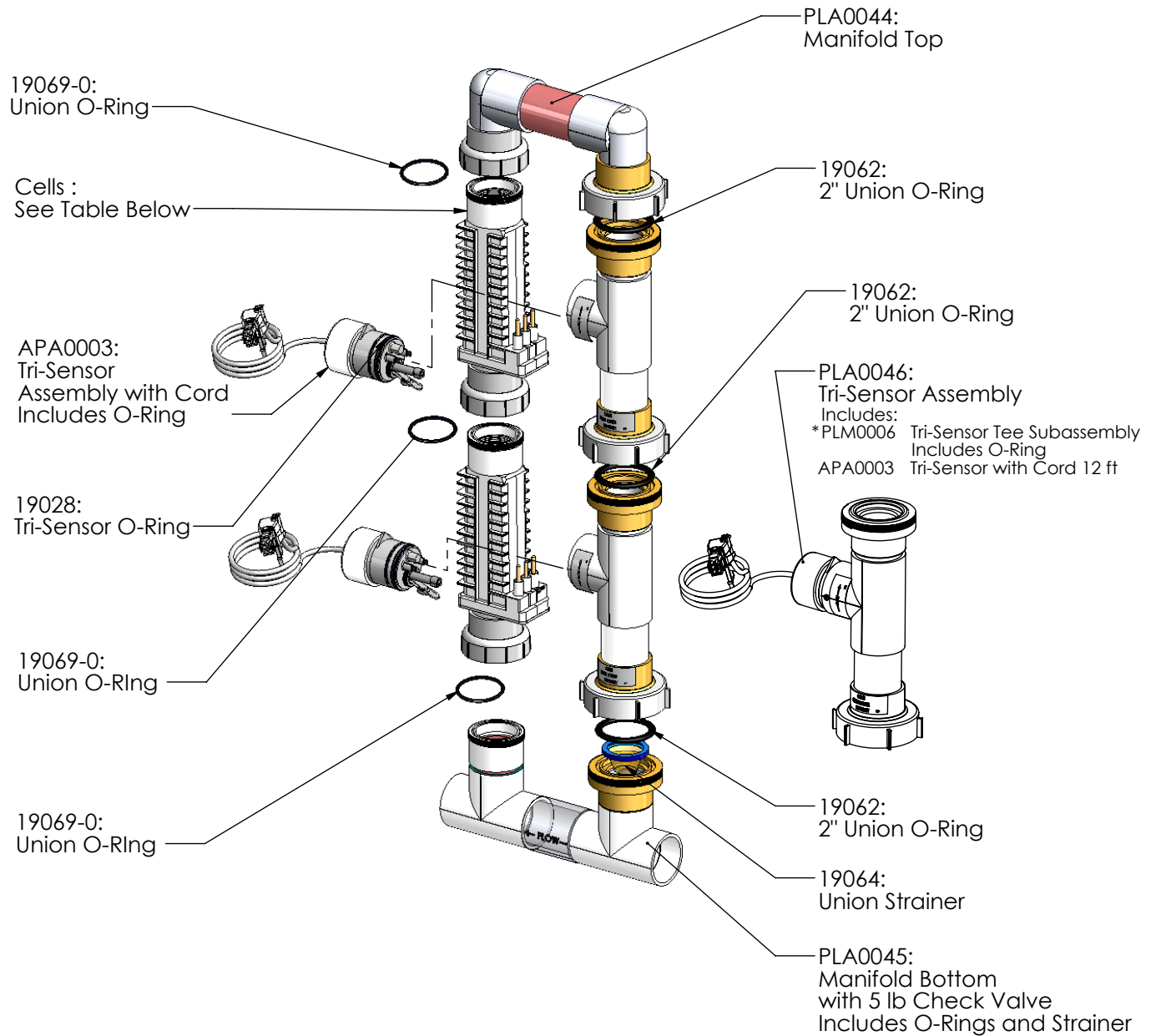


PART #	DESCRIPTION	PAGE
PPM1	Manifold Assy with PPC1 Cell	68
PPM3	Manifold Assy with PPC3 Cell	68
PPM4	Manifold Assy with PPC4 Cell	68
PPM5	Manifold Assy with PPC5 Cell	68
PPM1M	Manifold Assy with PPC1 Cell and Metric Adapters	68
PPM3M	Manifold Assy with PPC3 Cell and Metric Adapters	68
PPM4M	Manifold Assy with PPC4 Cell and Metric Adapters	68
PPM5M	Manifold Assy with PPC5 Cell and Metric Adapters	68
APK0006	Spacer Cell for Maintenance	69

# MULTIPLE SYSTEM MANIFOLD

## For Use With Dual Power Supply Systems

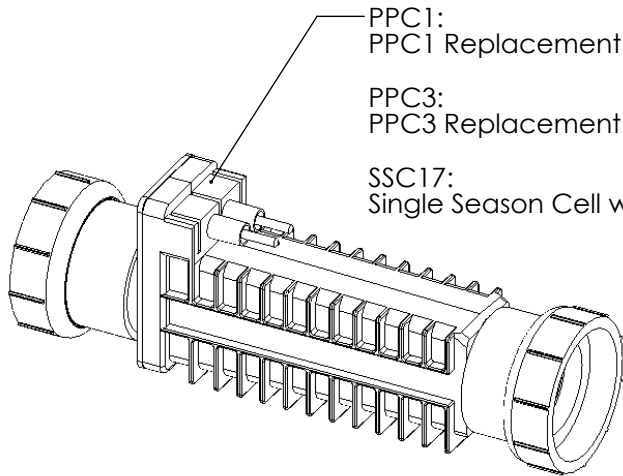
**Total Control**



PART #	DESCRIPTION	PAGE #
941-215C-A	Manifold Commercial with 2 PPC5MF Cells	68
938-SC	Spacer Cell for Maintenance	69

To convert from dual to triple system, add PLA0046, PPC5MF and Power Supply of choice, ST-220/DIG-220 /75003, typically ST-220 is used.

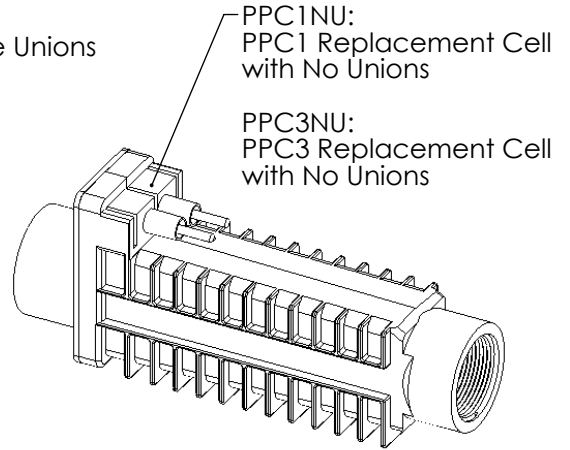
# CELL OPTIONS



PPC1:  
PPC1 Replacement Cell with Female Unions

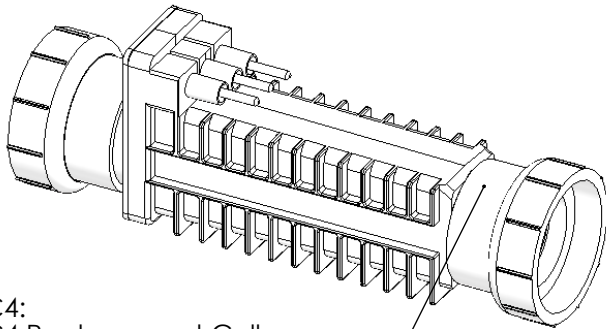
PPC3:  
PPC3 Replacement Cell with Female Unions

SSC17:  
Single Season Cell with Female Unions



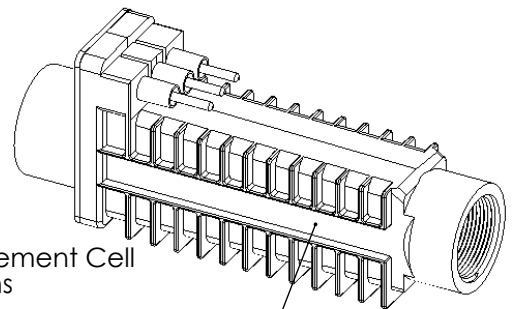
PPC1NU:  
PPC1 Replacement Cell  
with No Unions

PPC3NU:  
PPC3 Replacement Cell  
with No Unions



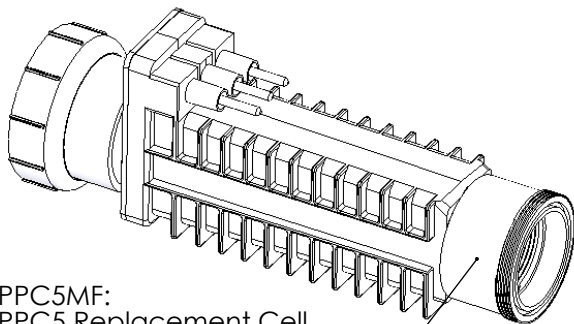
PPC4:  
PPC4 Replacement Cell  
with Female Unions

PPC5:  
PPC5 Replacement Cell  
with Female Unions  
(Commercial)  
for Single Cell Manifold

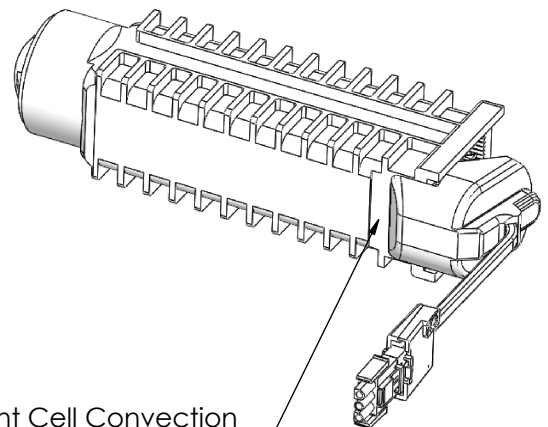


PPC4NU:  
PPC4 Replacement Cell  
with No Unions

PPC5NU:  
PPC5 Replacement Cell with  
No Unions (Commercial)



PPC5MF:  
PPC5 Replacement Cell  
Male/Female Unions  
(Commercial)  
for Multiple Cell Manifold

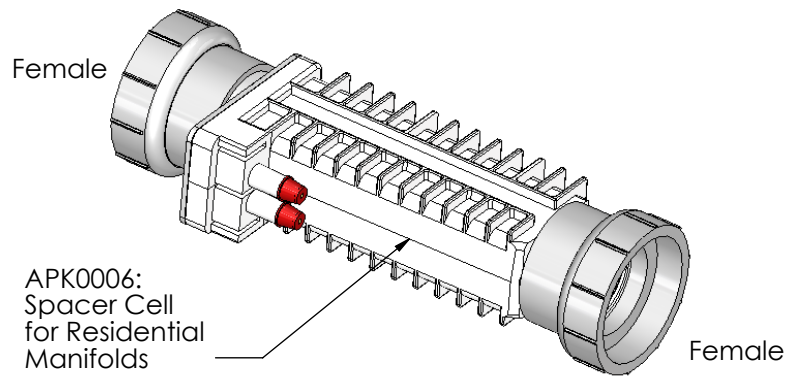
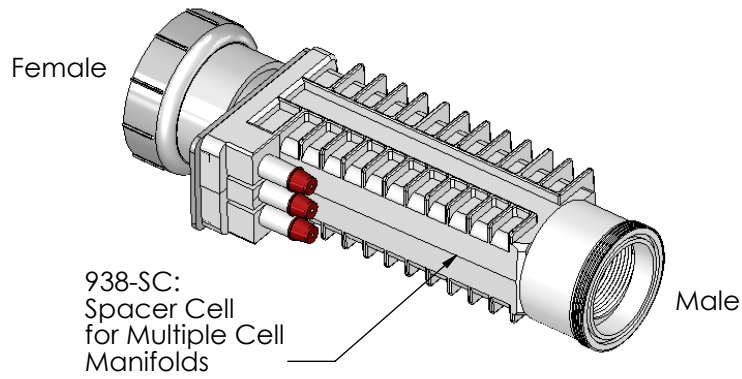


PPC5MLCC25:  
PPC5 Replacement Cell Convection  
(MATE-N-LOK)  
25 ft Cord

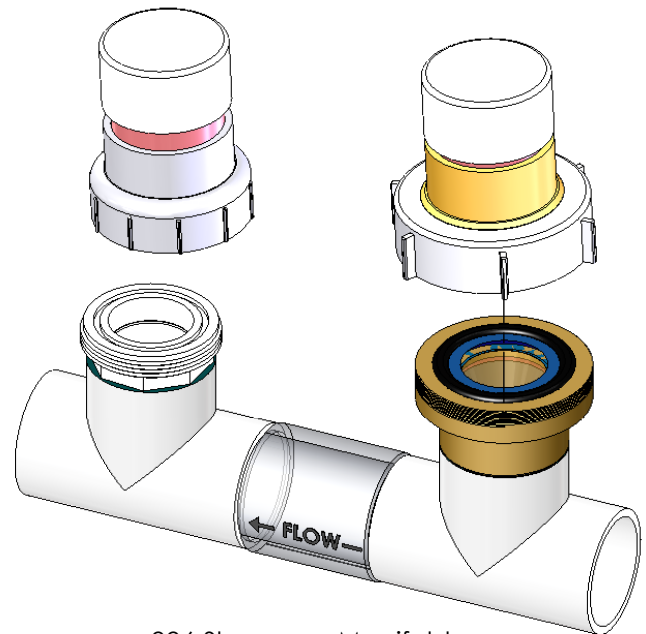
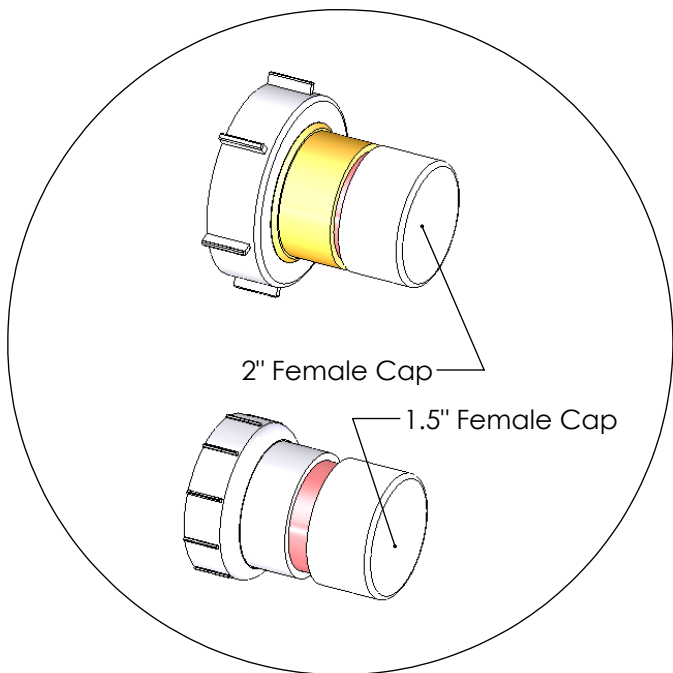


# MANIFOLD ACCESSORIES/TOOLS

Total Control

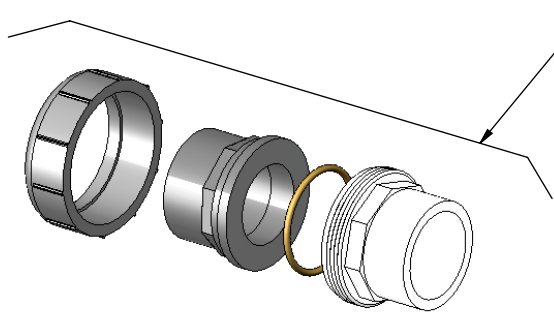


996:  
Cap Kit

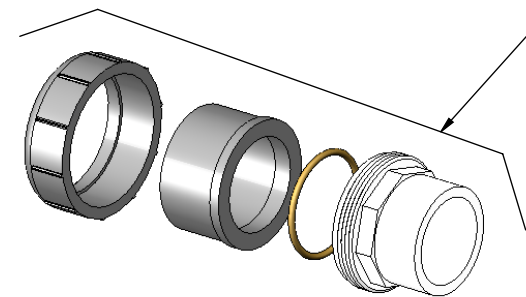


996 Shown on Manifold  
Base Assembly

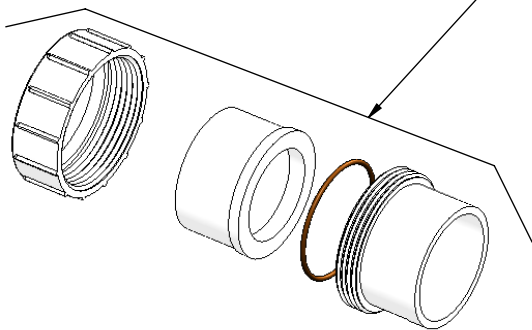
# Total Control MANIFOLD ACCESSORIES/TOOLS



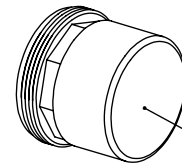
19073:  
Union Kit  
Includes:  
312-A Union Nut  
312-F Union Half, 2" Spigot/1.5" Slip X Female Union  
19070-0 1-1/2" O-Ring  
312-C Union Half, 1.5" Slip/2" Spigot x Male Thread Union



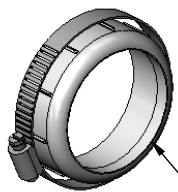
19070:  
Union Kit  
Includes:  
312-A Union Nut  
312-B Union Half, 2" Slip x Female Union  
19070-0 1-1/2" O-Ring  
312-C Union Half, 1.5" Slip/2" Spigot x Male Thread Union



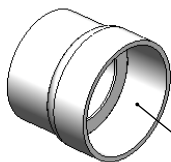
PLS2627:  
Union Kit  
Includes:  
312-A Union Nut  
312-B Union Half, 2" Slip x Female Union  
312-D Union Half, 2" Slip x Male Thread Union (with O-Ring 19069-0)  
OR  
PLS0001:



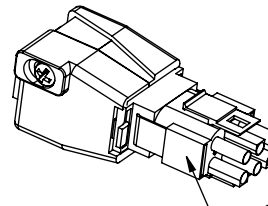
PLA0113:  
Cell Cleaning  
Kit (Male)



STK0048:  
Cracked Union Nut  
Service Kit



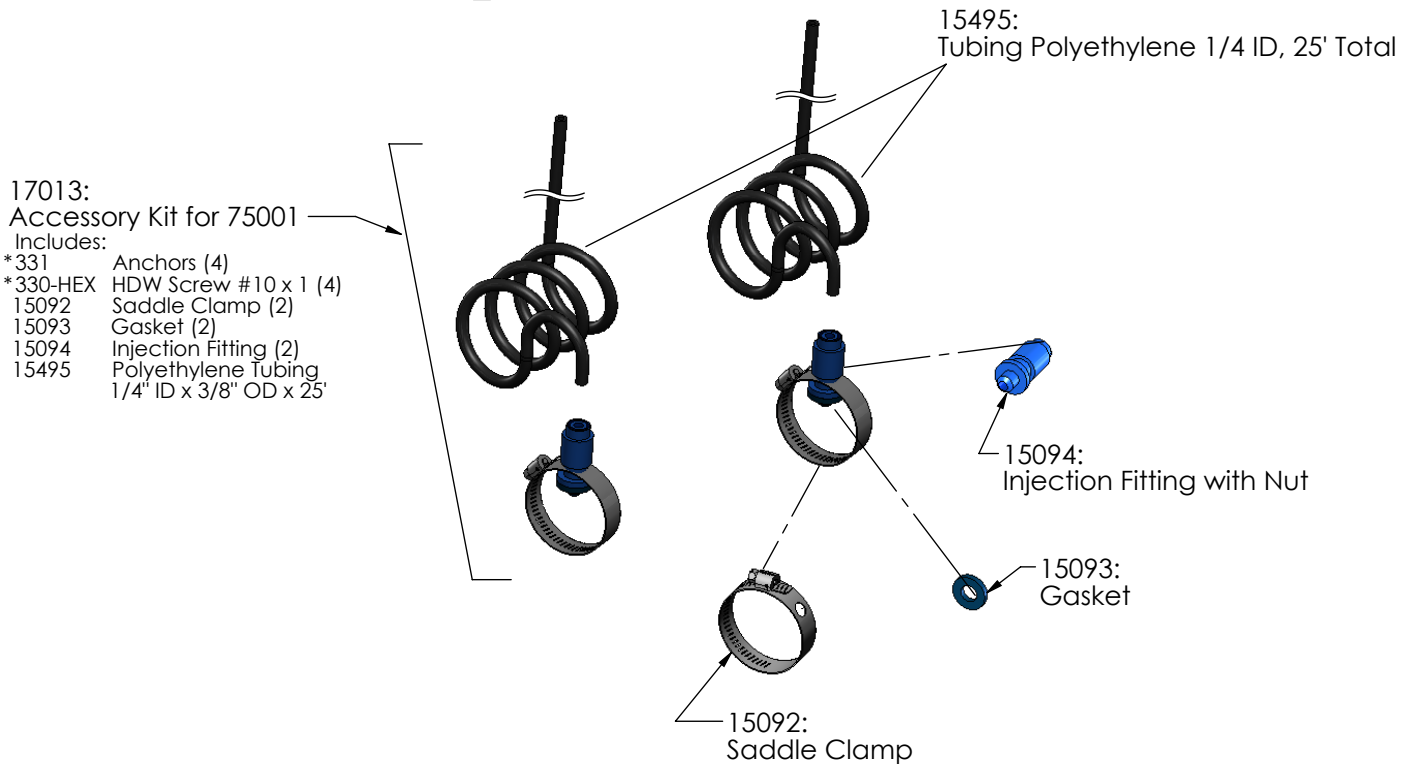
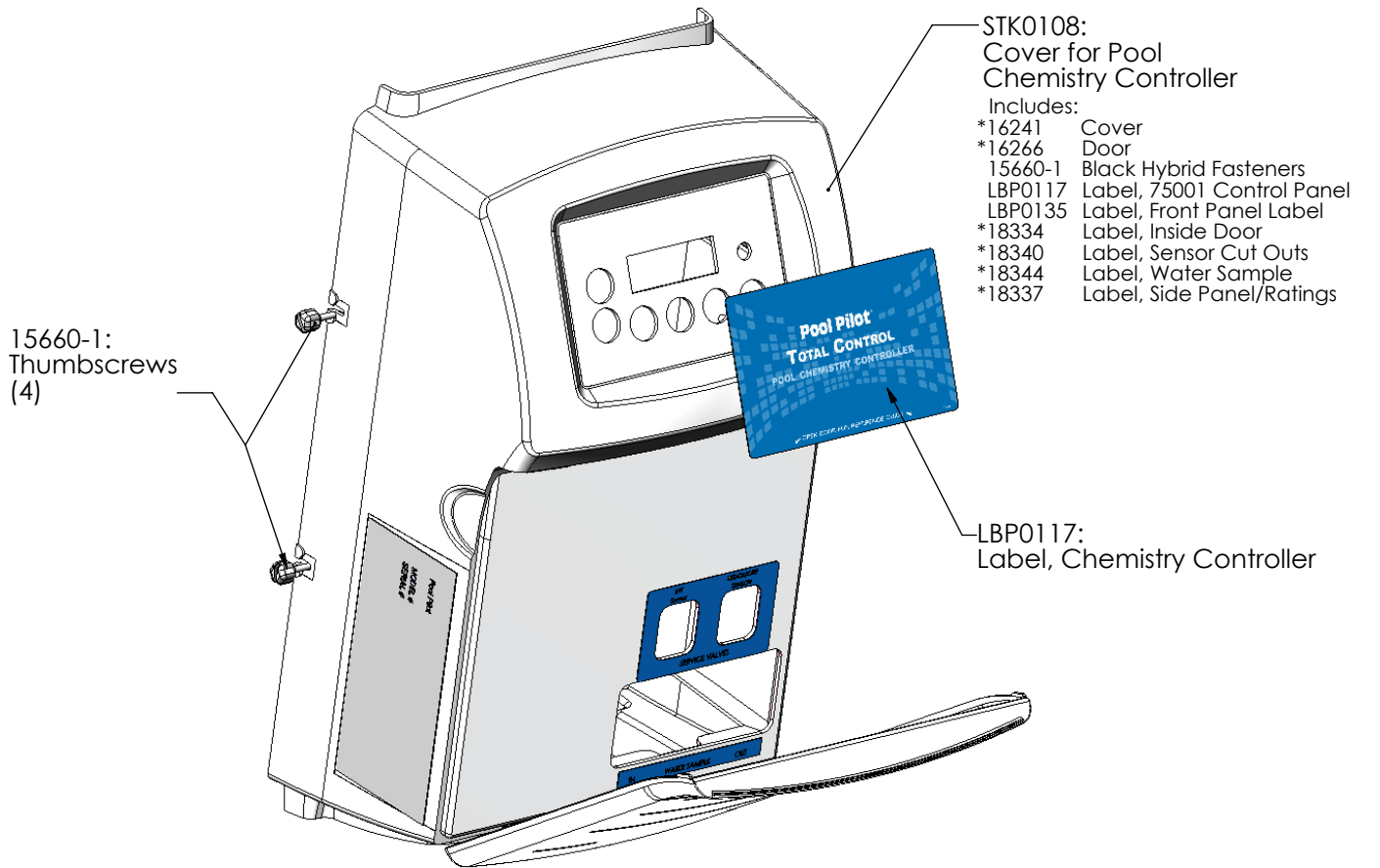
19059:  
Metric Adapter  
63mm ID Slip x 2" Spigot  
Quantity of 2 Needed  
Included in Metric Kits  
ONLY (Not Glued)



986-ST:  
Tri-Sensor Simulator  
(Simulates APA0003)

# 75001 Pool Chemistry Controller Parts

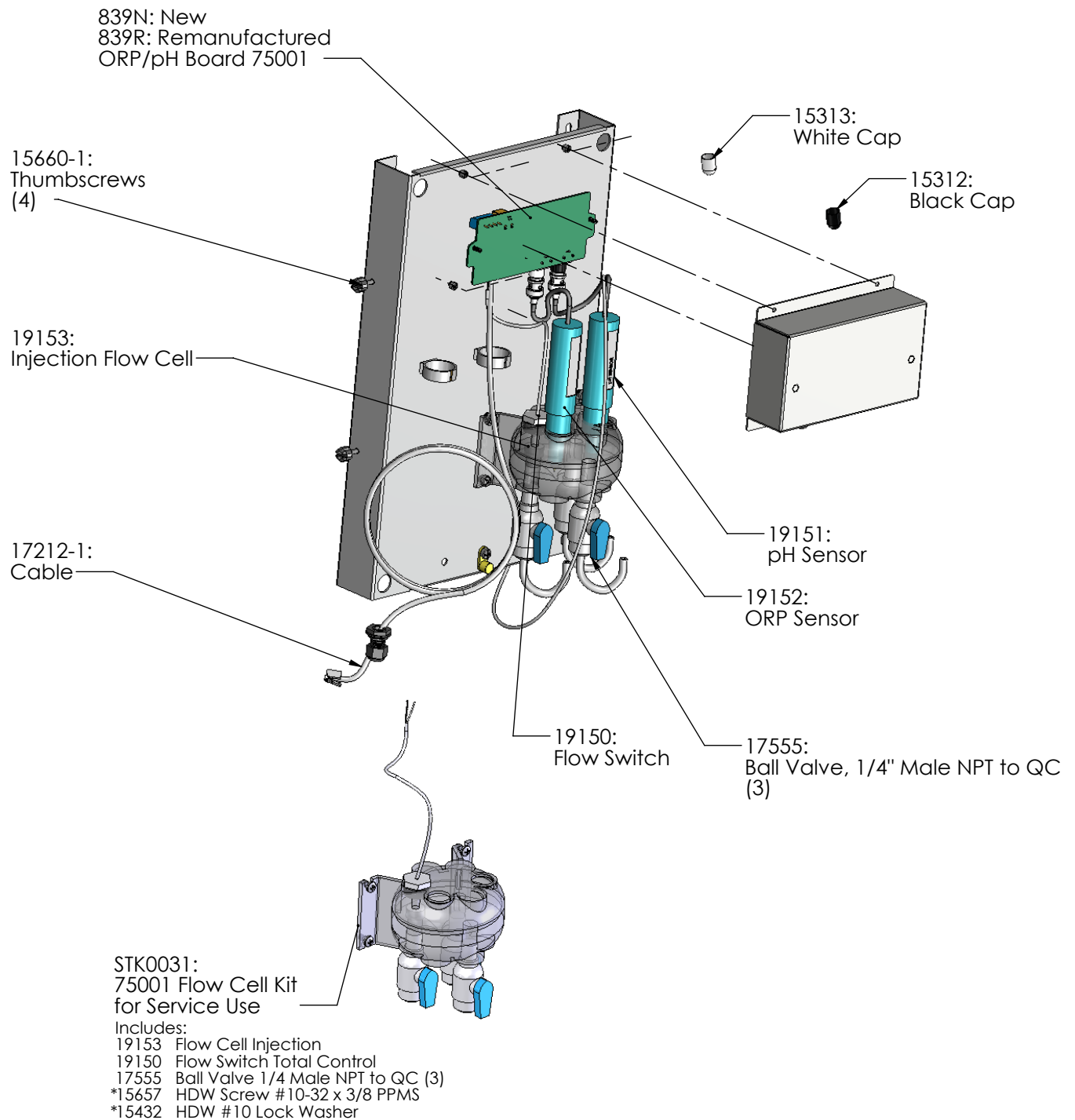
**Total Control  
75001**



\*Cannot be ordered separately

Total Control  
75001

# 75001 Pool Chemistry Controller Parts



\*Cannot be ordered separately

# STENNER PUMP SYSTEMS

Total Control  
Stenner



## Stenner Pump Systems

PART #	DESCRIPTION
75004	Stenner Pump/Tank 120V/60 Hz -15 Gallons
75005	Stenner Pump/Tank 220V/60 Hz - 15 Gallons
75006	Stenner Pump/Tank 230-250V/50Hz - 15 Gallons
75009	Stenner Pump/Tank 230-250V/50Hz - 30 Gallons
75010	Stenner Pump/Tank 220V/60Hz - 30 Gallons
75012	Stenner Pump/Tank 120V/60Hz - 30 Gallons
STK0055 is included with 75004, 75005, 75006, 75009, 75010 and 75012. Order STK0071 for replacement equivalents, see pg. 74	

STK0055:  
Stenner Pump Installation Kit  
Includes:  
Connecting Nuts 1/4"  
Ferrules  
Injection Fitting  
Suction/Discharge Tubing 1/4"-20 ft  
Strainer  
Peristaltic Tube-Sanoprene-#1

Connecting Nut 1/4"



Suction/Discharge Tubing 1/4"



Injection Fitting



Strainer



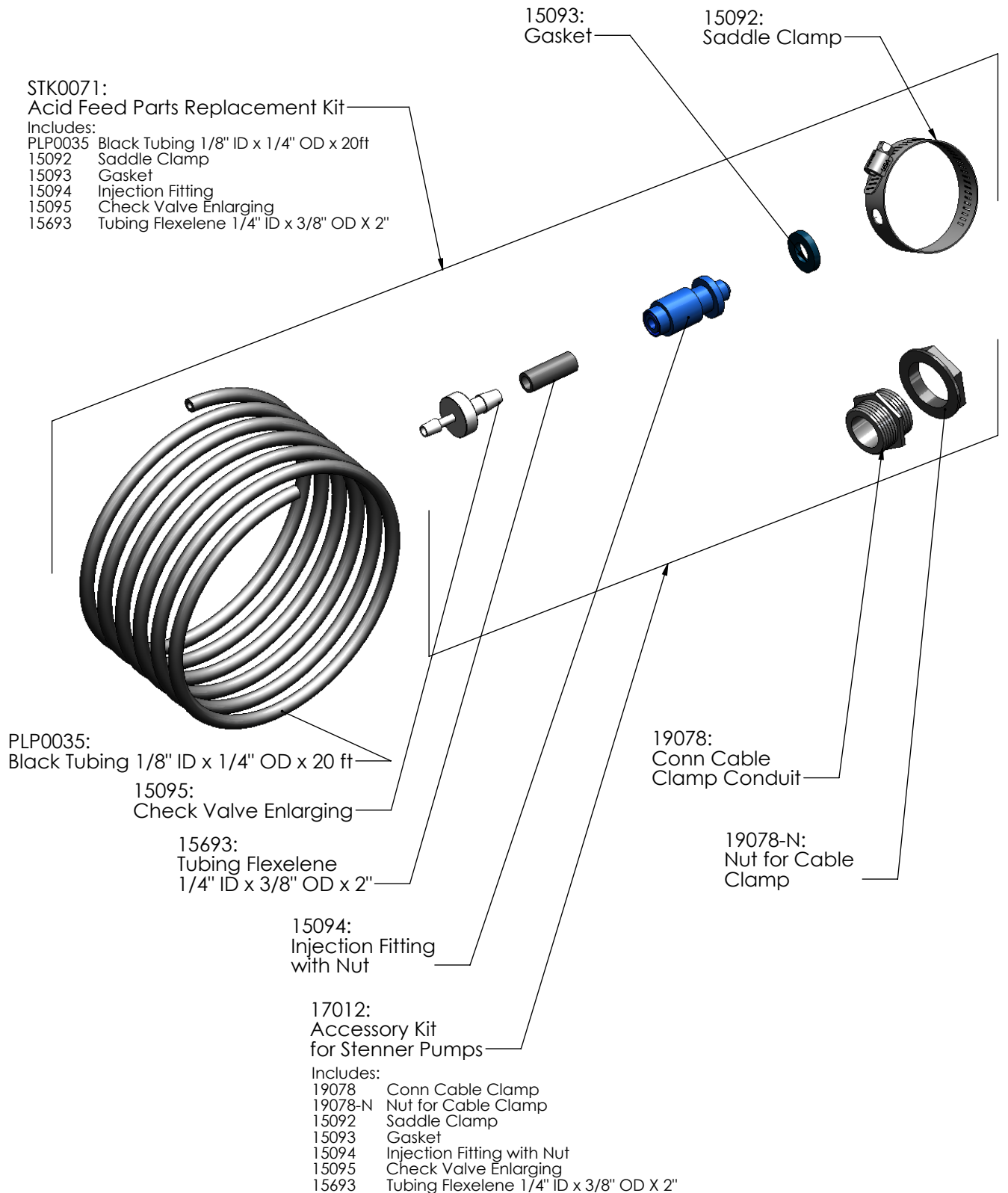
#1 Sanoprene Tube



Ferrules



# STENNER SYSTEM ACCESSORIES



# STENNER SYSTEM ACCESSORIES

Total Control  
Stenner



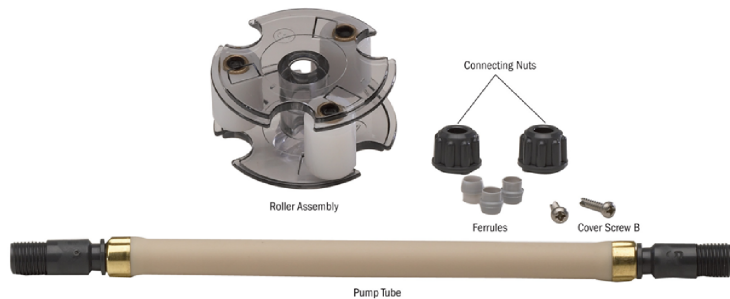
## Stenner Motors and Pumps

PART #	DESCRIPTION
75000	45MP1 PUMP FX 25PSI 3GPD 120V/60HZ 1/4B
75027	45MP1 PUMP FX 25PSI 3GPD 220V/60HZ 1/4B
75028	45MP1 PUMP FX 25PSI 3GPD 230V/50HZ 1/4B
75029	45MP3 PUMP FX 25PSI 22GPD 220V/60HZ 1/4B



M100A6:  
Stenner 45MP Gear Motor 120V/60Hz 10' Power Cord  
M101A6:  
Stenner 45MP Gear Motor 220V/60Hz 10' Power Cord  
M102A6:  
Stenner 45MP Gear Motor 230V/50Hz 10' Power Cord

STK0088:  
Stenner Pump #1 Head Service Kit



75018:  
Stenner Pump #1 Head  
Replacement



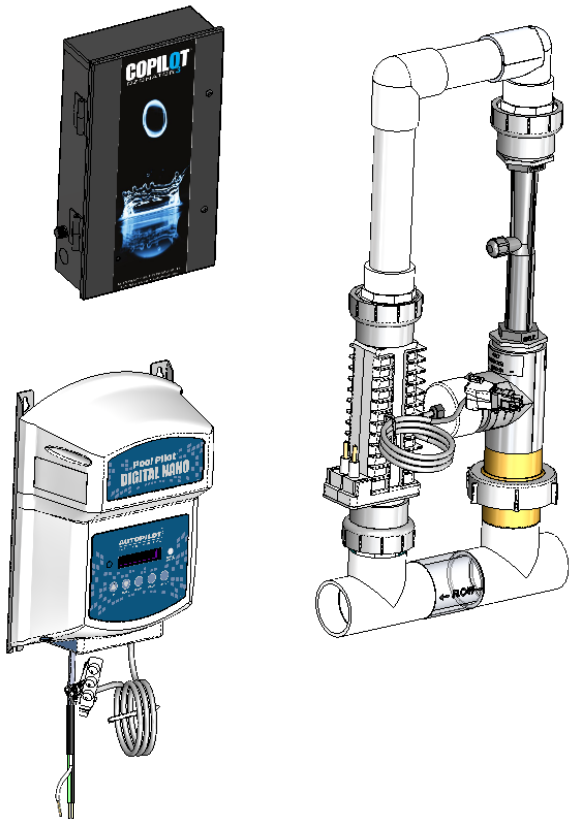




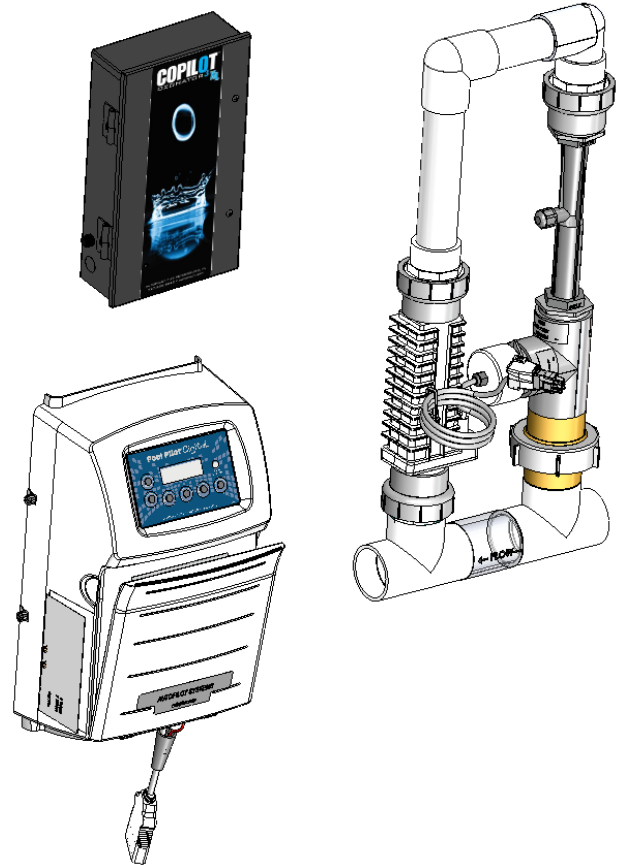
# COPILOT® SYSTEMS

CoPilot®

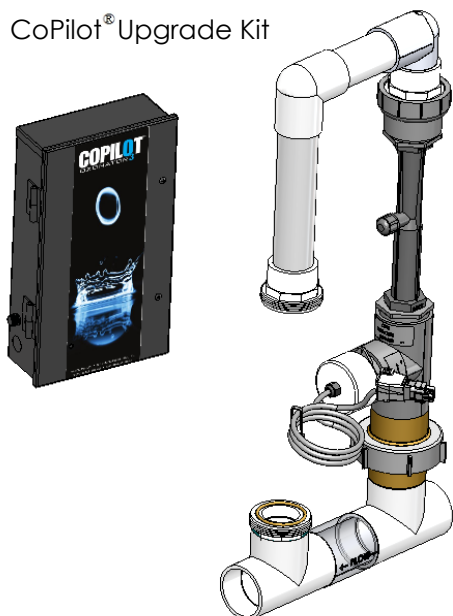
CoPilot® with Digital Nano System



CoPilot® XL with Digital System



CoPilot® Upgrade Kit



CoPilot® XL Upgrade Kit



CoPilot®

# COPILOT With Digital Nano Systems

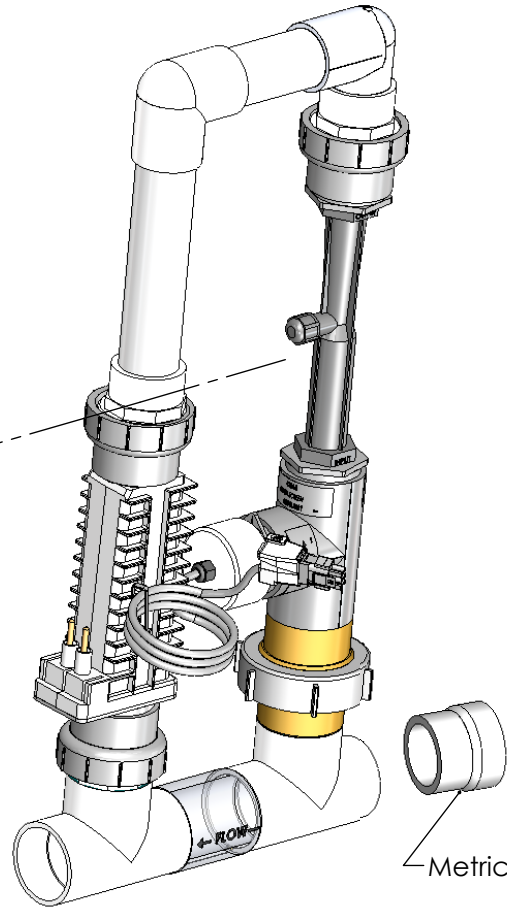
\*COP-A:  
CoPilot® Ozone Unit  
110V and 220V



\*Pool Pilot® Digital Nano Power Supply  
See pg. 32 for Power Supply Parts

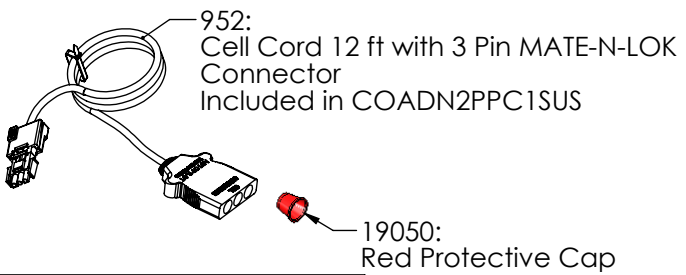


DN2  
DN2M



Metric Adapter(s)

Manifold, Ozone, PPC1 Cell  
Included in COADN2PPC1SUS



952:  
Cell Cord 12 ft with 3 Pin MATE-N-LOK  
Connector  
Included in COADN2PPC1SUS

19050:  
Red Protective Cap

PART #	DESCRIPTION
COADN2PPC1SUS	Nano 220V with COP-A CoPilot® and Ozone PPC1 Manifold

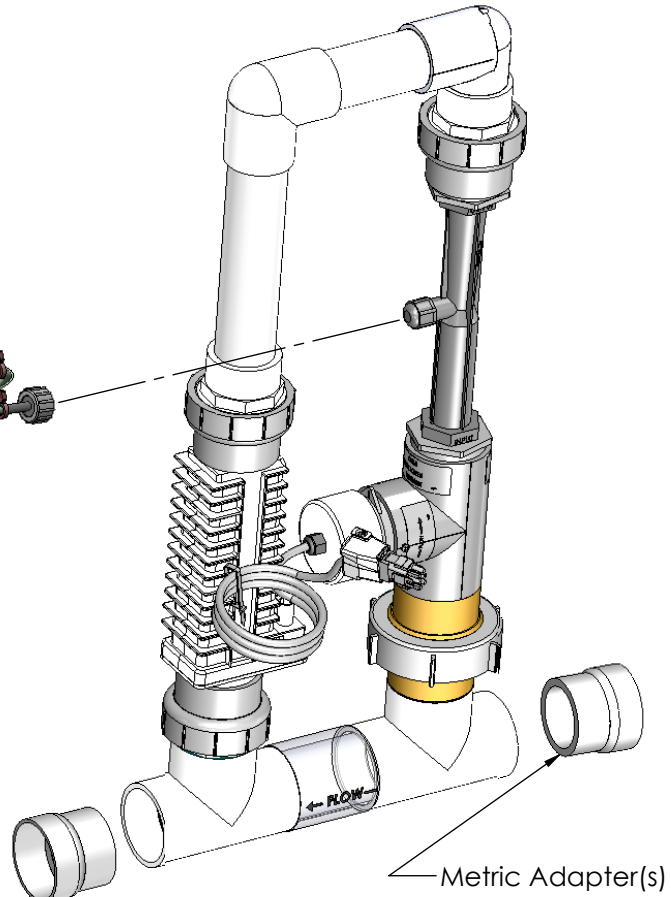
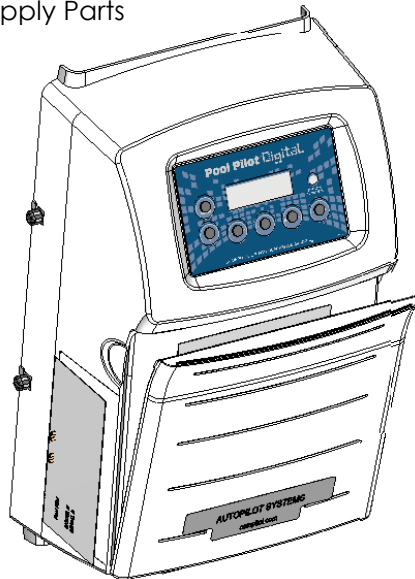
# COPILOT<sup>®</sup> With DIG-220 Systems

CoPilot<sup>®</sup>

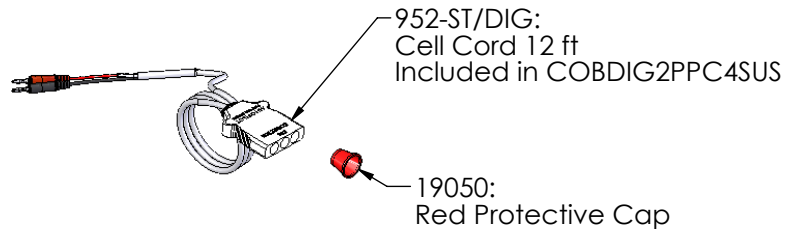
\*COP-B:  
CoPilot<sup>®</sup> XL Ozone Unit  
110V and 220V



DIG-220:  
Digital Power Supply  
See pg. 2-3  
for Power Supply Parts



Manifold, Ozone, PPC4 Cell  
Included in COBDIG2PPC4SUS

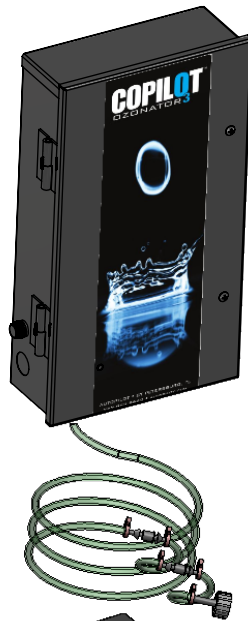


PART #	DESCRIPTION
COBDIG2PPC4SUS	DIG-220 with COP-B CoPilot <sup>®</sup> XL and Ozone PPC4 Manifold

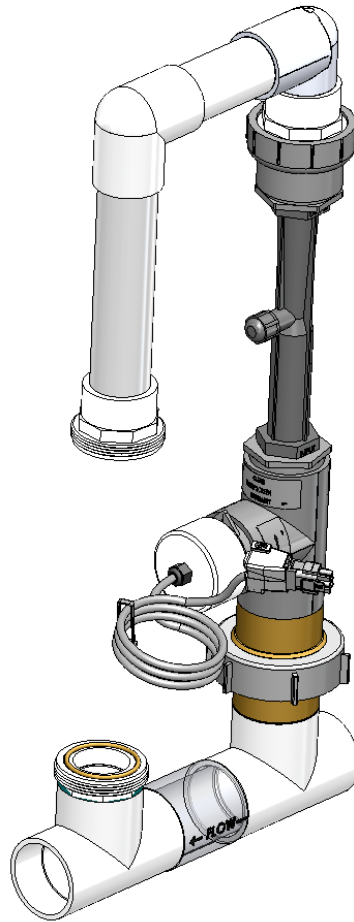
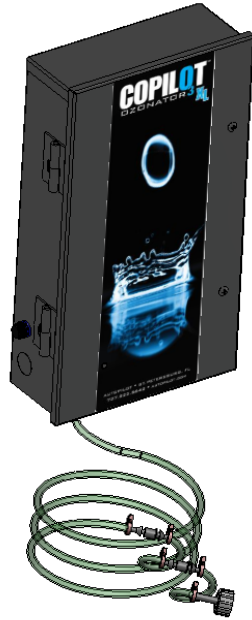
\*Cannot be ordered separately

# COPILOT® UPGRADE KITS

\*COP-A:  
CoPilot® Ozone Unit  
110V and 220V



\*COP-B:  
CoPilot® XL Ozone Unit  
110V and 220V



APK0017:  
See pg. 82

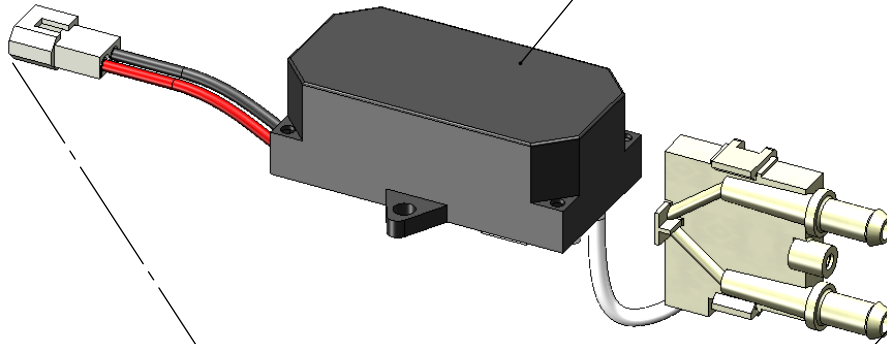
PART #	DESCRIPTION
COA1XXXXUUS	CoPilot® Upgrade Kit for Nano Includes: COP-A CoPilot® Ozone Unit and APK0017 Ozone Injector Manifold Assy
COB2XXXXUUS	CoPilot® XL Upgrade Kit for DIG-220. Includes: COP-B CoPilot® XL Ozone Unit and APK0017 Ozone Injector Manifold Assy

\*Cannot be ordered separately

# COPILOT<sup>®</sup> Power Supply Parts

CoPilot<sup>®</sup>

APK0052 (9-1056-01):  
Power Supply Replacement for COP-A and COP-B

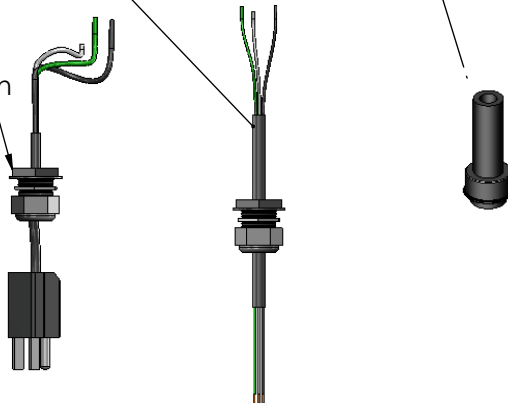


15611:  
Fuse, 1 A, .250" OD x 1.25" Long  
for COP-A and COP-B

APK0054:  
220V Power Cable with  
Grommet for CoPilot<sup>®</sup>, 3 ft

APK0053:  
110V Power Cord/Plug with  
Grommet for CoPilot<sup>®</sup>, 3 ft

APK0016 (9-0789-10):  
Flow Control Assembly  
for all CoPilot<sup>®</sup> Models



# COPILOT® MANIFOLD

APK0017:  
CoPilot® Manifold Kit

- Includes:  
 \*PLM0011 Top Manifold Assembly  
 \*PLM0016 Manifold Ozone Injector Assy  
 \*PLM0013 Manifold Ozone Base Assy

APK0013 (9-0770-02):  
Check Valve  
and Tube Assembly  
for all CoPilot® Models  
Not Included in APK0017

APA0003:  
Tri-Sensor with  
Cord Assembly

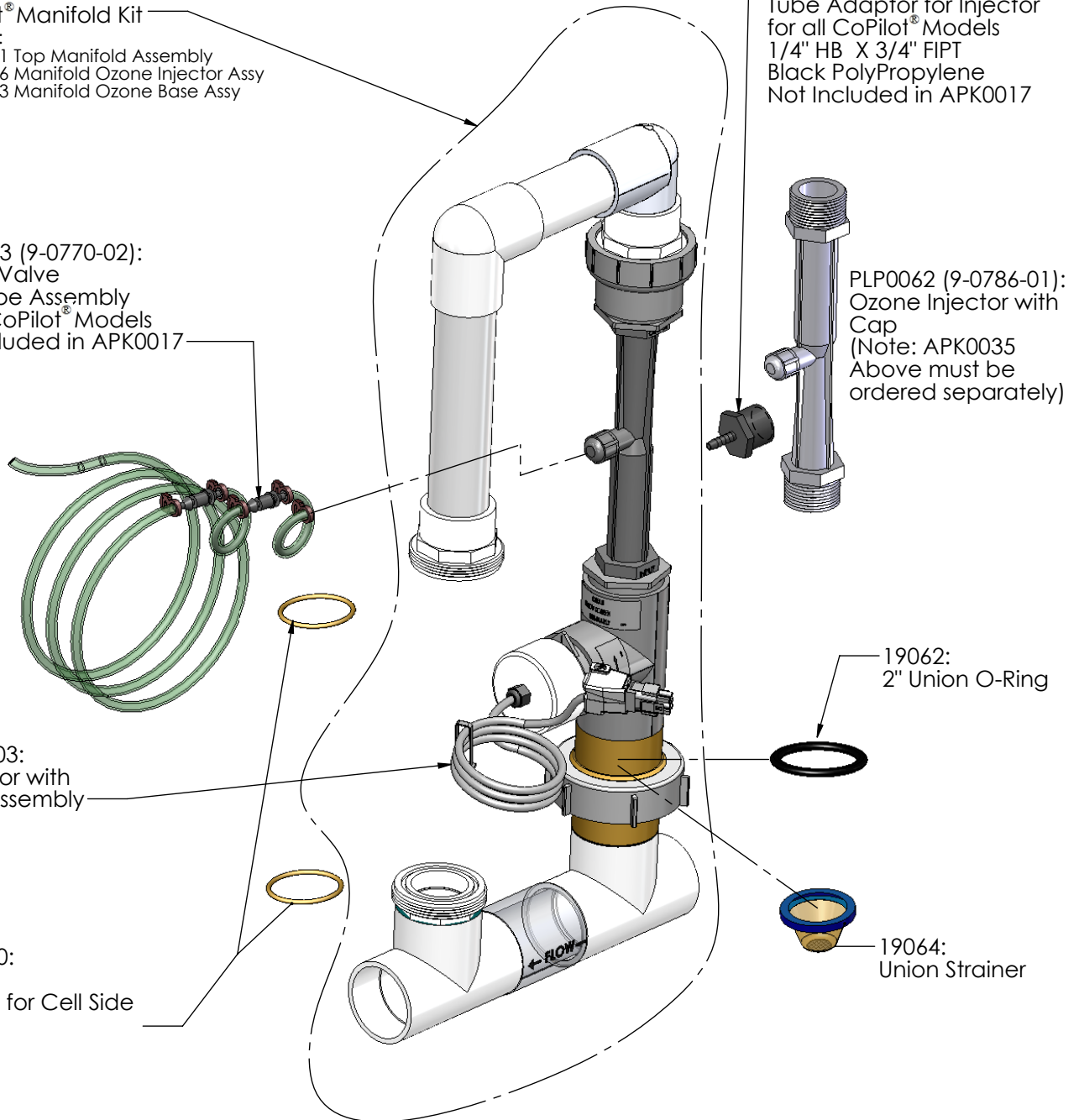
19070-0:  
1-1/2"  
O-Ring for Cell Side

APK0035 (7-1434-01):  
Tube Adaptor for Injector  
for all CoPilot® Models  
1/4" HB X 3/4" FIPT  
Black PolyPropylene  
Not Included in APK0017

PLP0062 (9-0786-01):  
Ozone Injector with  
Cap  
(Note: APK0035  
Above must be  
ordered separately)

19062:  
2" Union O-Ring

19064:  
Union Strainer



For Cells See pg. 83

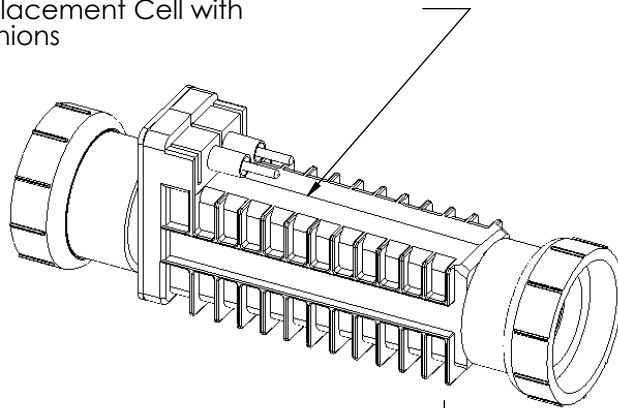
\*Cannot be ordered separately

# CELL OPTIONS

CoPilot®

PPC1:  
PPC1 Replacement Cell with Female Unions

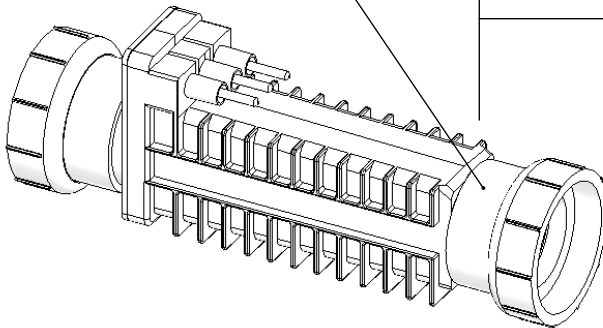
PPC3:  
PPC3 Replacement Cell with  
Female Unions



STK0048:  
Cracked Union Nut  
Service Kit

PPC4:  
PPC4 Replacement Cell  
with Female Unions

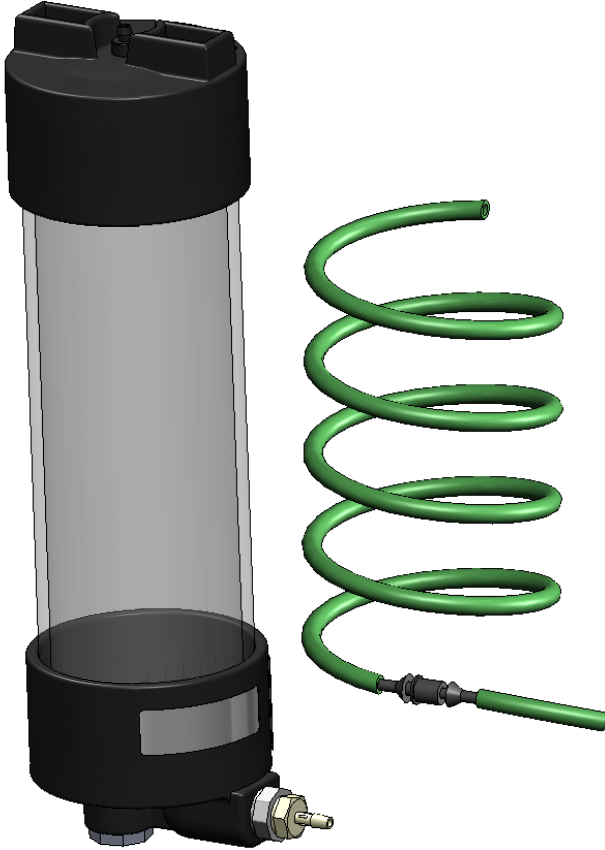
PPC5:  
PPC5 Replacement Cell  
with Female Unions  
(Commercial)  
for Single Cell Manifold



CoPilot® Cell Options

CELL	DIGITAL NANO	DIG-220
PPC1	X	X
PPC3	N/A	X
PPC4	N/A	X
PPC5	N/A	X

# ACCESSORIES/TOOLS



APK0036 (9-0897-01):  
Ozone Backflow Preventer Clear

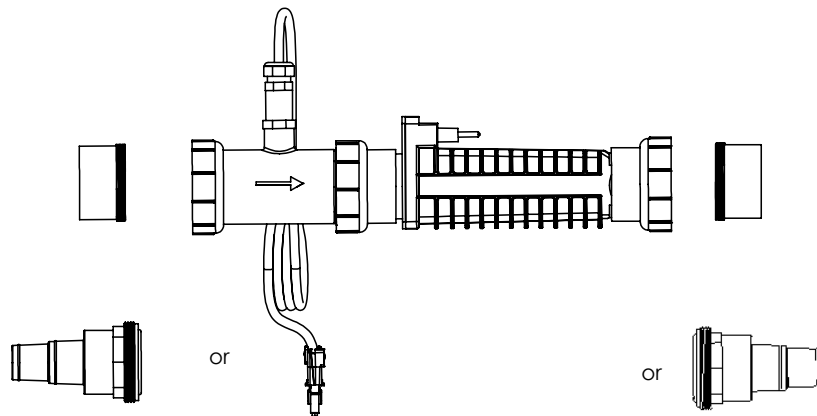
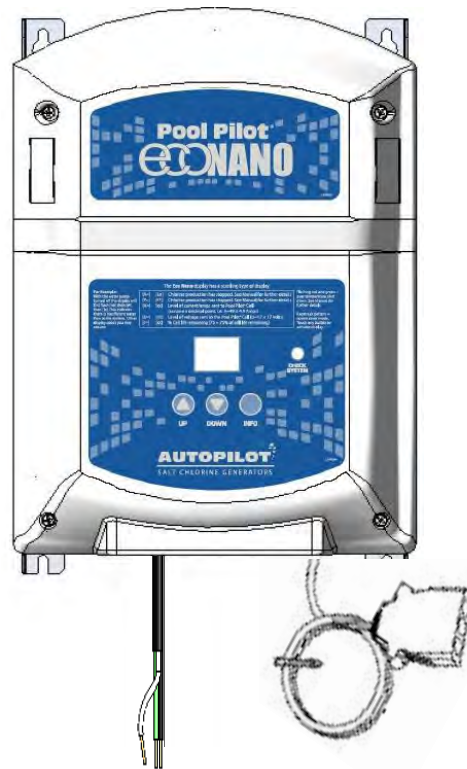


APK0037 (9-0897-02):  
Ozone Backflow Preventer White



# ECO NANO

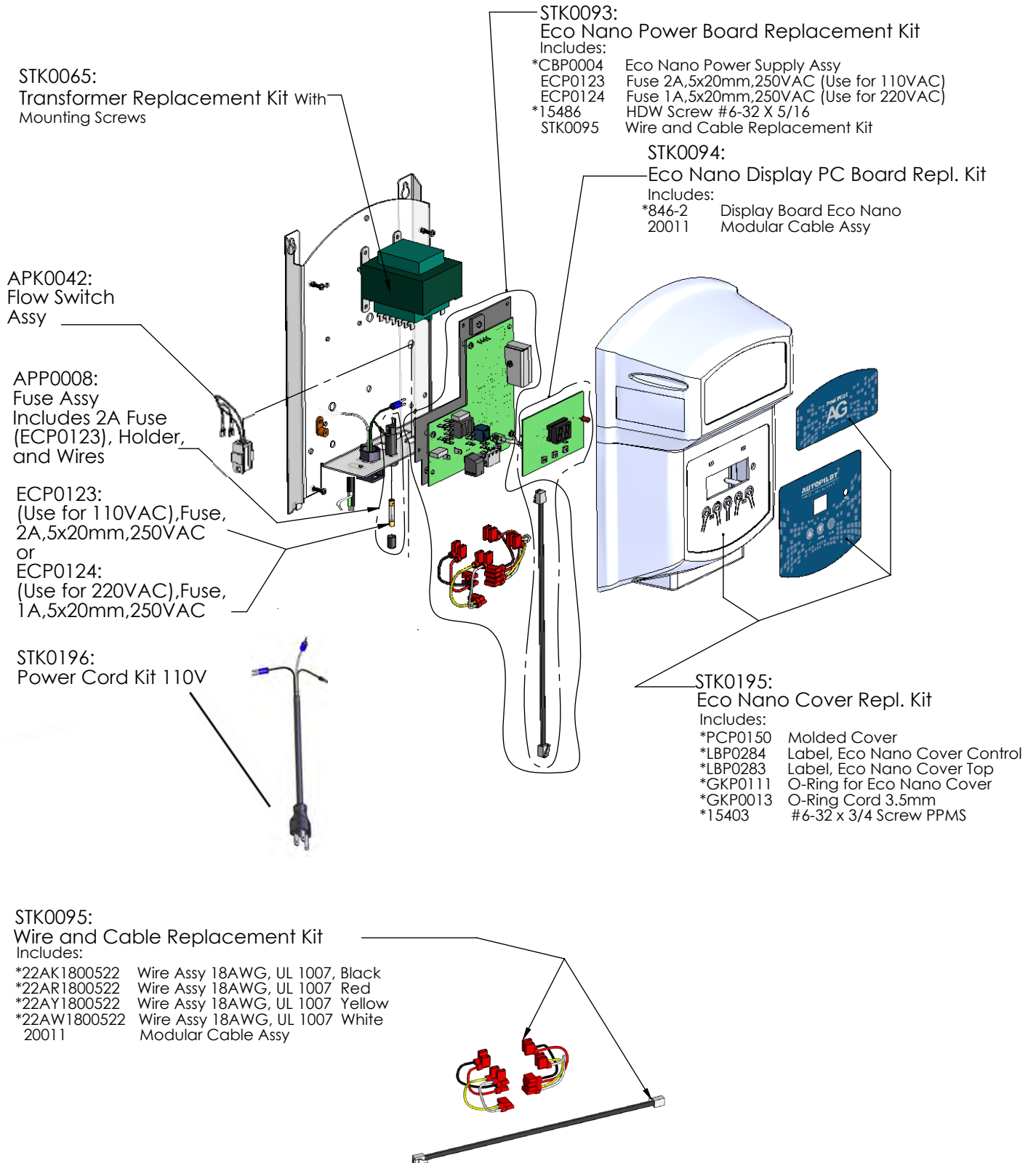
Eco Nano



PART #	DESCRIPTION
EN2	Eco Nano, 220V with PPC1 Inline Cell
EN2EU	Eco Nano 220V with PPC1 Inline Cell and Metric Adapters

# ECO NANO Power Supply Parts

Eco Nano



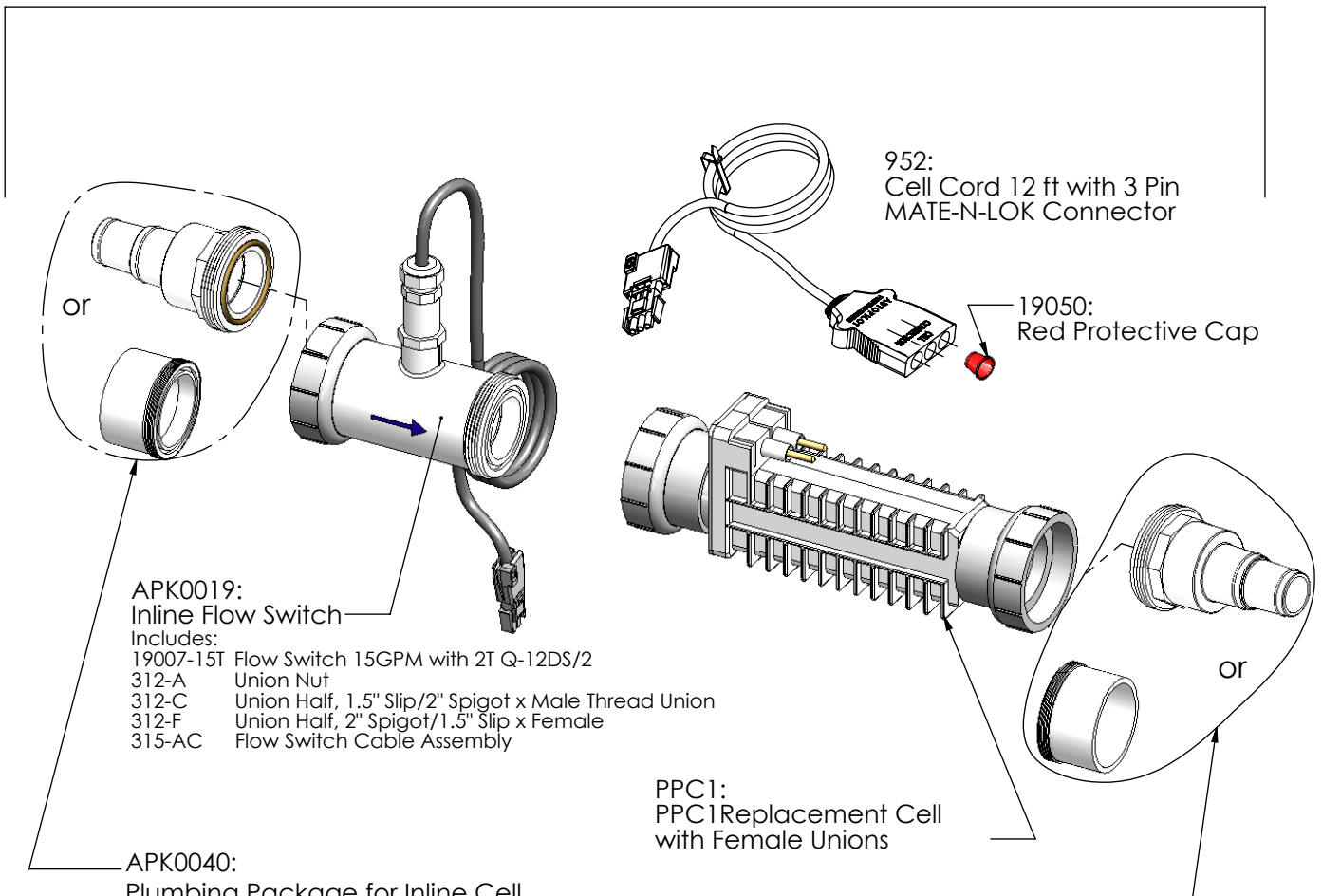
\*Cannot be ordered separately

# ECO NANO PLUMBING

## Inline Cell With Flow Switch

Eco Nano

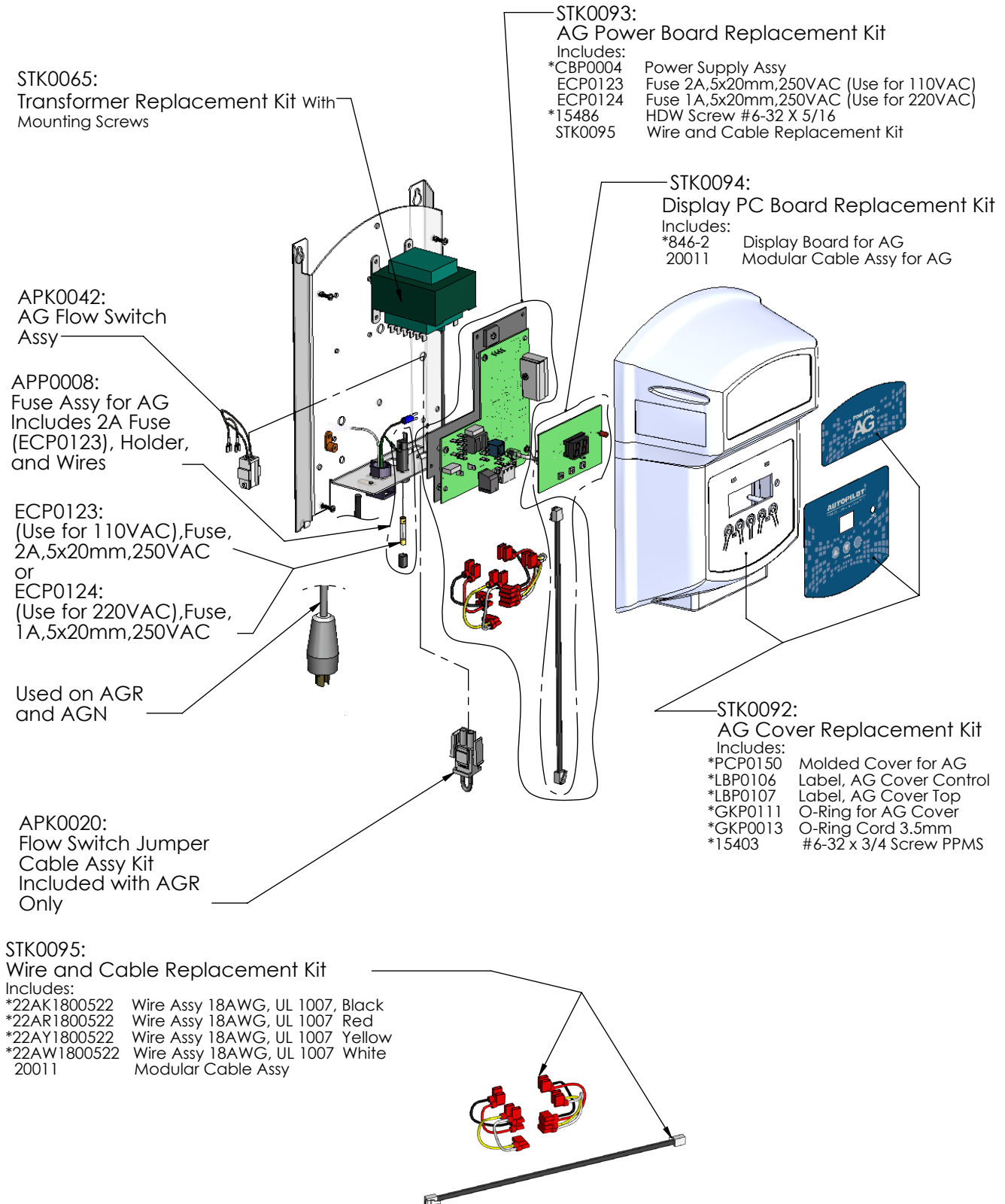
Inline Cell  
 Included with Eco Nano  
 Includes:  
 PPC1 Replacement Cell  
 952 Cell Cord  
 APK0040 Plumbing Package for Manifold  
 APA0019 Flow Switch Kit





# AG Power Supply Parts

AG



\*Cannot be ordered separately

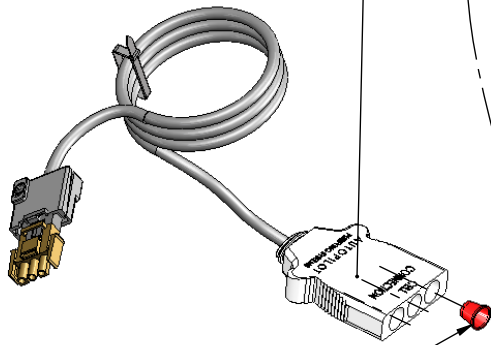
AG

# AG PLUMBING

## Return Jet Manifold With Cell

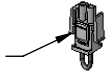
APK0018:  
Return Jet Adaptor for AG  
Includes:  
PLP0080 Street Elbow 1-1/2" MIPT X 2" Slip  
312-C Union Half, 1.5" Slip/2" Spigot x MTU  
\*PCP0122 PVC Pipe, 1-1/2" ID x 2-3/8" Long

952:  
Cell Cord 12 ft with 3 Pin  
MATE-N-LOK Connector  
or  
952-24:  
Cell Cord 24 ft

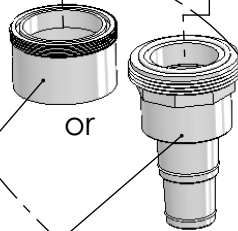


19050:  
Red Protective Cap

APK0020:  
Flow Switch Jumper Kit



312-D:  
Union Half, 2" Slip x Male Thread Union  
(with O-Ring 19069-0)



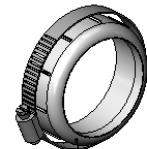
312-G:  
Union Half, MT Union x Flex  
(with O-Ring 19070-0)

APK0039:  
Plumbing Package for Manifold  
for Return Jet

Includes:  
PLP0080 Street Elbow 1-1/2" MIPT X 2" Slip  
312-G Union Half, Male Thread Union x 1.5"/1.25" Flex Hose  
312-D Union Half, Male Thread Union x 2" Slip  
312-C Union Half, 1.5" Slip/2" Spigot x Male Thread Union  
\*PCP0122 PVC Pipe, 1-1/2" ID x 2-3/8" Long

Return Jet Manifold  
Included with AGR  
Includes:  
PPC1 PPC1 Replacement Cell  
952 Cell Cord  
APK0039 Plumbing Pkg. for Manifold  
APK0020 Flow Switch Jumper Kit

PPC1:  
PPC1 Replacement Cell  
with Female Unions



STK0048:  
Cracked Union Nut  
Service Kit

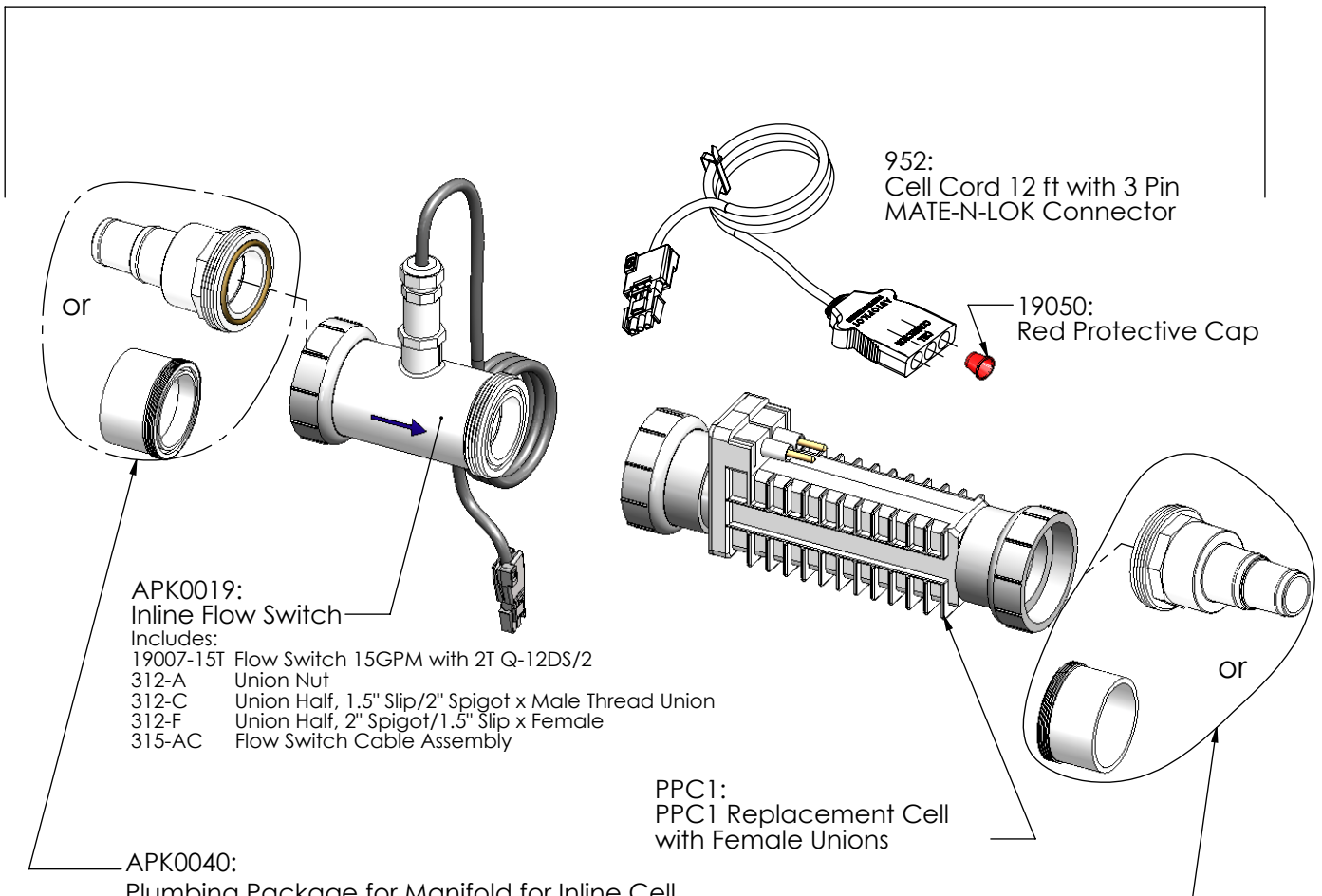
\*Cannot be ordered separately

# AGN PLUMBING

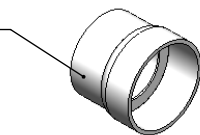
## Inline Cell With Flow Switch

AG

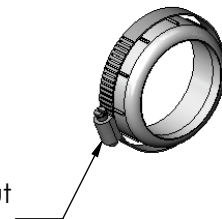
Inline Cell  
 Included with AGN  
 Includes:  
 PPC1 PPC1 Replacement Cell  
 952 Cell Cord  
 APK0040 Plumbing Package for Manifold  
 APA0019 Flow Switch Kit



19059:  
 Metric Adapter  
 63mm ID Slip x 2" Spigot  
 Quantity of 2 Needed  
 Included in Metric Kits  
 ONLY (Not Glued)



STK0048:  
 Cracked Union Nut  
 Service Kit





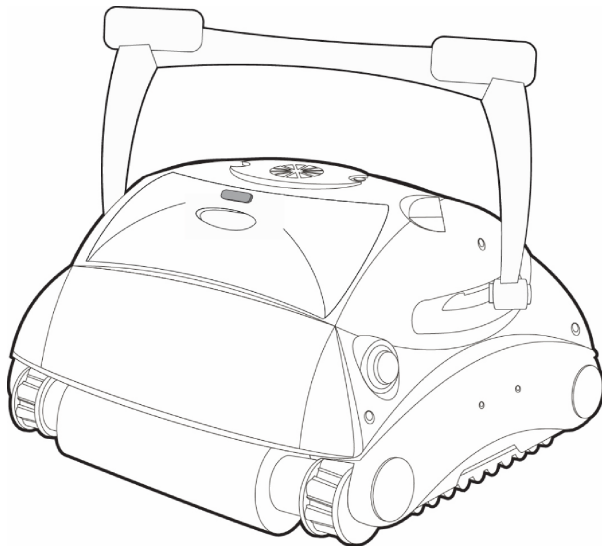


# AQUACLEAN PLUS

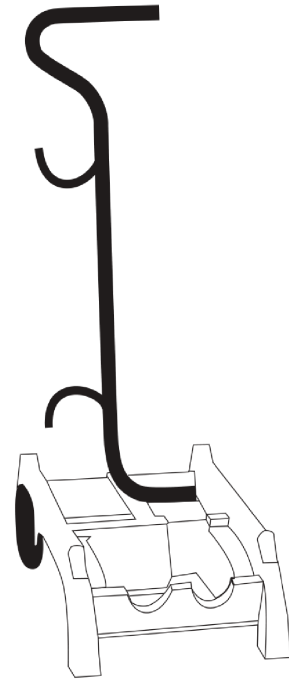
## Robotic Pool Cleaner

AquaClean

**ACLEAN5**



**ACLEANCADDY**

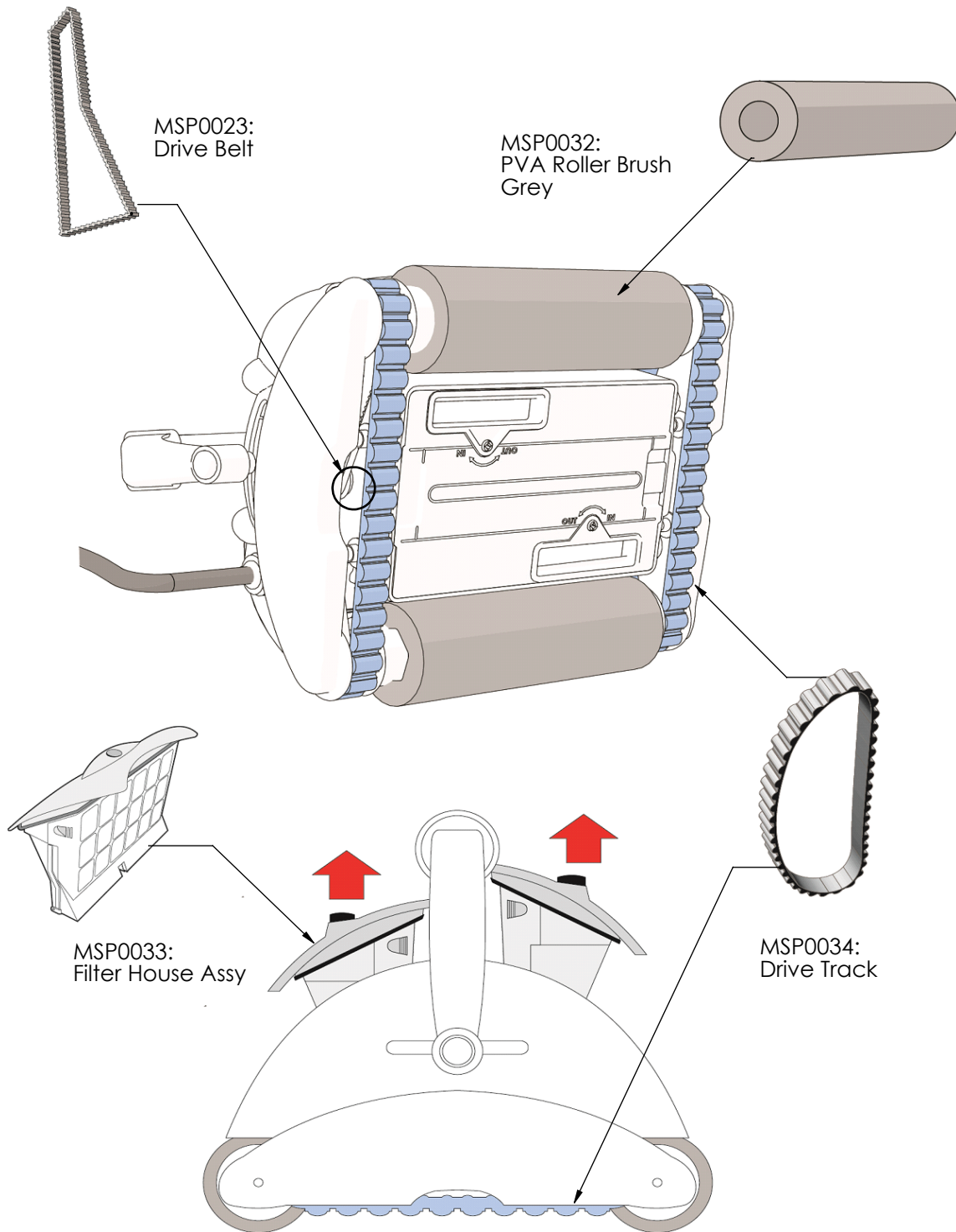


PART #	DESCRIPTION
ACLEAN5	AquaClean Plus Robotic Pool Cleaner 115V/230V
ACLEANCADDY	Pool Cleaner Caddy

AquaClean

# AQUACLEAN PLUS Replacement Parts

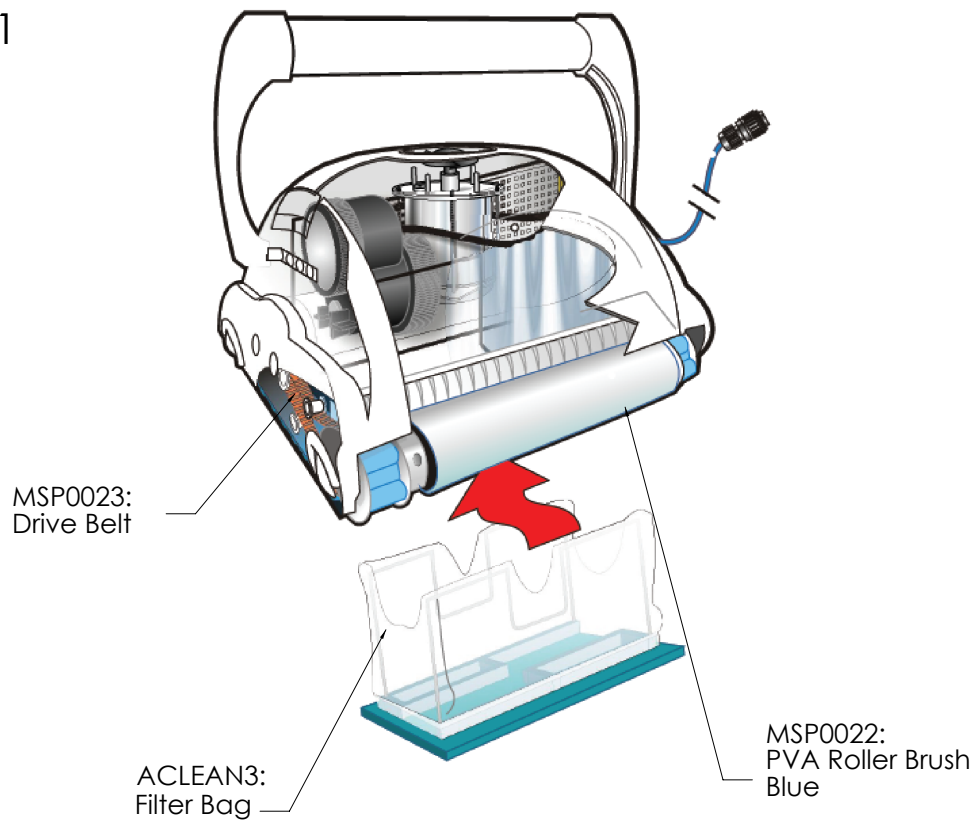
ACLEAN5



# AQUACLEAN Replacement Parts

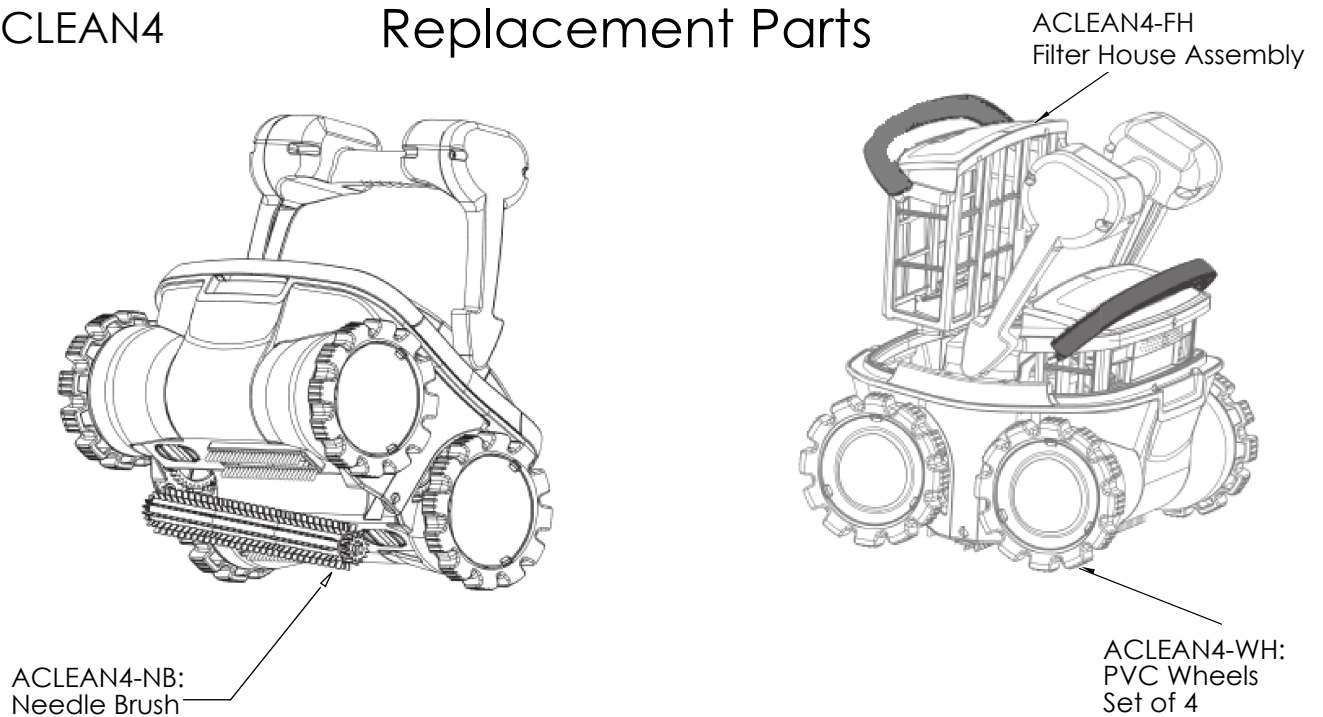
AquaClean

ACLEAN1



# AQUACLEAN EZ Replacement Parts

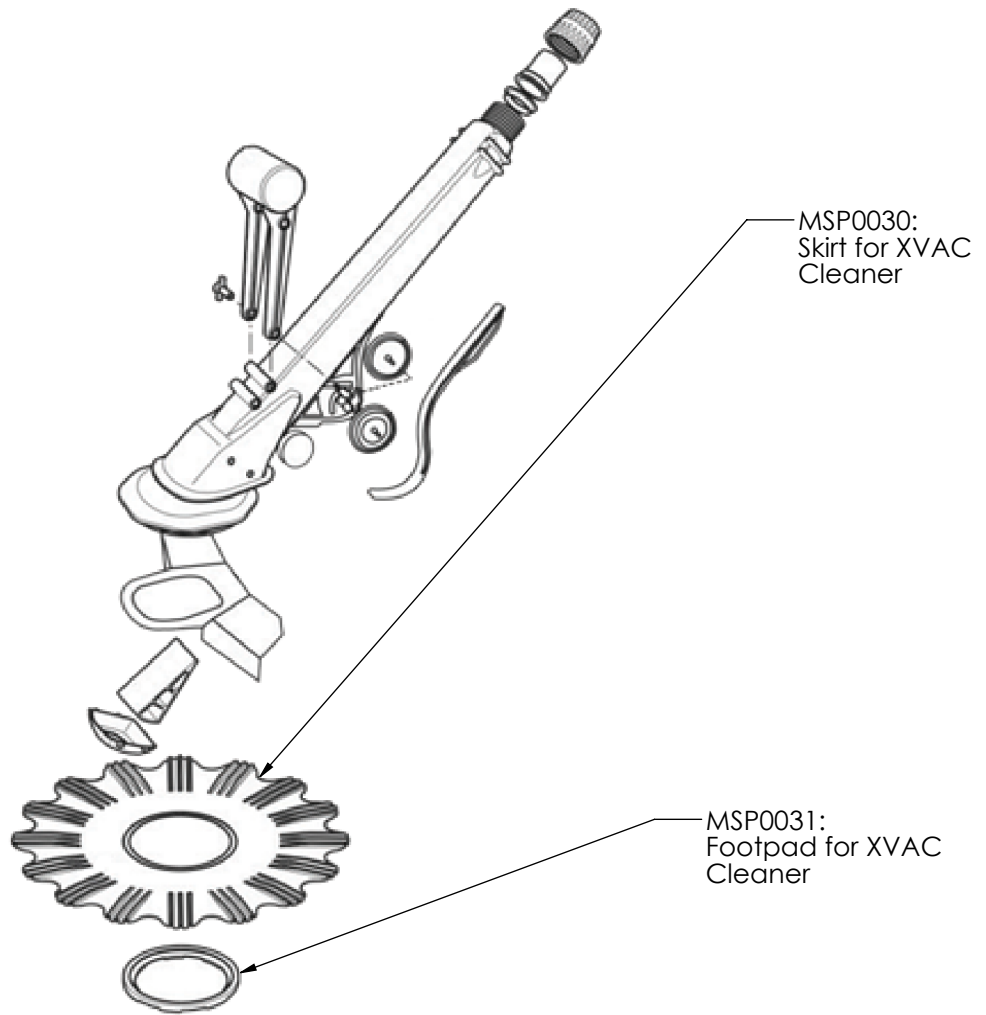
ACLEAN4





# XVAC Suction Cleaner

XVAC



PART #	DESCRIPTION
XVAC	XVAC Suction Cleaner



# JB FITTINGS

## Schedule 40 PVC

### JB Fittings

90° ELL  
(Soc x Soc)



Universal Number

Size (in.)

Std Pack

406-005	1/2	100
406-007	3/4	100
406-010	1	100
406-012	1 1/4	100
406-015	1 1/2	50
406-020	2	50

90° ELL  
(Soc x Fipt)



Universal Number

Size (in.)

Std Pack

407-005	1/2	100
407-007	3/4	100
407-101	3/4 x 1/2	100

90° STREET ELL  
(Spig x Soc)



Universal Number

Size (in.)

Std Pack

409-005	1/2	100
409-007	3/4	100
409-010	1	50
409-012	1 1/4	50
409-015	1 1/2	50
409-020	2	25

90° STREET ELL  
(Mipt x Soc)



Universal Number

Size (in.)

Std Pack

410-005	1/2	100
410-007	3/4	100
410-010	1	50
410-012	1 1/4	50
410-015	1 1/2	50
410-020	2	10

90° ELL  
(Soc x Soc)



Universal Number

Size (in.)

Std Pack

B406-015	1 1/2	50
B406-020	2	50

## JB Fittings

# JB FITTINGS

## Schedule 40 PVC

90° STREET ELL  
(Spig x Soc)



Universal Number	Size (in.)	Std Pack
B409-015	1½	50
B409-020	2	25

45° ELL  
(Soc x Soc)



Universal Number	Size (in.)	Std Pack
417-005	½	100
417-007	¾	100
417-010	1	100
417-012	1¼	100
417-015	1½	100
417-020	2	50

45° STREET ELL  
(Spig x Soc)



Universal Number	Size (in.)	Std Pack
400-010	1	50

45° ELL  
(Soc x Soc)



Universal Number	Size (in.)	Std Pack
B417-015	1½	100
B417-020	2	50

TEE  
(Soc x Soc x Soc)



Universal Number	Size (in.)	Std Pack
401-005	½	100
401-007	¾	100
401-010	1	100
401-012	1¼	50
401-015	1½	50
401-020	2	25



# JB FITTINGS

## Schedule 40 PVC

### JB Fittings

TEE Reducing  
(Soc x Soc x Soc)



Universal Number	Size (in.)	Std Pack
401-101	$\frac{3}{4} \times \frac{3}{4} \times \frac{1}{2}$	100
401-130	$1 \times 1 \times \frac{1}{2}$	100
401-131	$1 \times 1 \times \frac{3}{4}$	100
401-166	$1\frac{1}{4} \times 1\frac{1}{4} \times \frac{1}{2}$	50
401-167	$1\frac{1}{4} \times 1\frac{1}{4} \times \frac{3}{4}$	50
401-168	$1\frac{1}{4} \times 1\frac{1}{4} \times 1$	50
401-209	$1\frac{1}{2} \times 1\frac{1}{2} \times \frac{1}{2}$	50
401-210	$1\frac{1}{2} \times 1\frac{1}{2} \times \frac{3}{4}$	50
401-211	$1\frac{1}{2} \times 1\frac{1}{2} \times 1$	50
401-212	$1\frac{1}{2} \times 1\frac{1}{2} \times 1\frac{1}{4}$	50
401-247	$2 \times 2 \times \frac{1}{2}$	25
401-248	$2 \times 2 \times \frac{3}{4}$	25
401-249	$2 \times 2 \times 1$	25
401-250	$2 \times 2 \times 1\frac{1}{4}$	25
401-251	$2 \times 2 \times 1\frac{1}{2}$	25

TEE Reducing  
(Soc x Soc x Fipt)



Universal Number	Size (in.)	Std Pack
402-005	$\frac{1}{2} \times \frac{1}{2} \times \frac{1}{2}$	100
402-101	$\frac{3}{4} \times \frac{3}{4} \times \frac{1}{2}$	100
402-130	$1 \times 1 \times \frac{1}{2}$	100
402-166	$1\frac{1}{4} \times 1\frac{1}{4} \times \frac{1}{2}$	50

TEE  
(Soc x Soc x Soc)



Universal Number	Size (in.)	Std Pack
B401-015	$1\frac{1}{2}$	50
B401-020	2	25

COUPLING  
(Soc x Soc)



Universal Number	Size (in.)	Std Pack
429-005	$\frac{1}{2}$	100
429-007	$\frac{3}{4}$	100
429-010	1	100
429-012	$1\frac{1}{4}$	100
429-015	$1\frac{1}{2}$	100
429-020	2	50

COUPLING  
(Soc x Soc)



Universal Number	Size (in.)	Std Pack
B429-015	$1\frac{1}{2}$	100
B429-020	2	50

## JB Fittings

# JB FITTINGS Schedule 40 PVC

FEMALE ADAPTER  
(Soc x Fipt)



Universal Number

Size (in.)

Std Pack

435-005	1/2	100
435-007	3/4	100
435-010	1	100
435-012	1 1/4	100
435-015	1 1/2	100
435-020	2	50

MALE ADAPTER  
(Mipt x Soc)



Universal Number

Size (in.)

StdPack

436-005	1/2	100
436-007	3/4	100
436-010	1	100
436-012	1 1/4	100
436-015	1 1/2	100
436-020	2	50

REDUCER BUSHING  
(Spig x Soc)



Universal Number

Size (in.)

Std Pack

437-101	3/4 x 1/2	100
437-130	1 x 1/2	100
437-131	1 x 3/4	100
437-167	1 1/4 x 3/4	100
437-168	1 1/4 x 1	100
437-211	1 1/2 x 1	100
437-212	1 1/2 x 1 1/4	100
437-250	2 x 1 1/4	50
437-251	2 x 1 1/2	50

REDUCER BUSHING  
(Spig x Soc)



Universal Number

Size (in.)

Std Pack

B437-212	1 1/2 x 1 1/4	100
B437-251	2 x 1 1/2	50

PLUG  
(Spig)



Universal Number

Size (in.)

Std Pack

449-007	3/4	100
---------	-----	-----

# JB FITTINGS

## Schedule 40 PVC

### JB Fittings

PLUG  
(Mipt)



Universal Number

Size (in.)

Std Pack

450-007

$\frac{3}{4}$

100

CAP  
(Soc)



Universal Number

Size (in.)

Std Pack

447-005

$\frac{1}{2}$

100

447-007

$\frac{3}{4}$

100

447-010

1

100

447-012

$1\frac{1}{4}$

100

447-015

$1\frac{1}{2}$

50

447-020

2

50

CAP  
(Fipt)



Universal Number

Size (in.)

Std Pack

448-005

$\frac{1}{2}$

100

448-007

$\frac{3}{4}$

100

448-010

1  $\frac{3}{4}$

50

448-012

$1\frac{1}{4}$

50

448-015

$1\frac{1}{2}$

50

448-020

2

50

CAP  
(Soc)



Universal Number

Size (in.)

Std Pack

B447-015

$1\frac{1}{2}$

50

B447-020

2

50

RUNNING TRAP



Number

Size (in.)

Std Pack

PLM0047

$\frac{3}{4}$

10

P - TRAP



Number

Size (in.)

Std Pack

PLM0048

$\frac{3}{4}$

10



# Index

## #

- 110-ORP - 4, 14, 25
- 15092 - 47, 49, 57, 59, 71, 74
- 15093 - 47, 49, 57, 59, 71, 74
- 15094 - 47, 49, 57, 59, 71, 74
- 15095 - 49, 59, 74
- 15179 - 3
- 15495 - 47, 57, 71
- 15531 - 3, 65
- 15611 - 32, 38, 46, 56, 81
- 15619 - 32, 38, 46, 56
- 15623-3 - 3, 13, 22, 24, 65
- 15626 - 3, 13, 65
- 15627 - 3, 13, 22, 24, 65
- 15634 - 22, 24
- 15660-1 - 2, 12, 64, 71-72
- 15693 - 49, 59, 74
- 16081A - 22, 24
- 16081AR - 22, 24
- 16081AR - 22, 24
- 16084 - 3, 13, 65
- 16084R - 3, 13, 65
- 16238 - 2
- 16242 - 12
- 16243 - 64
- 17012 - 74
- 17013 - 47, 57, 71
- 17206 - 22
- 17212-1 - 48, 58, 72
- 17555 - 48, 58, 72
- 17600 - 22, 24
- 19007 - 87, 91
- 19007-15T - 87, 91
- 19028 - 5-6, 15-16, 26, 33, 39, 50, 60, 66-67
- 19050 - 2, 12, 32, 38, 46, 56, 64, 78-79, 87, 90-91
- 19059 - 5, 10, 15, 20, 33, 35, 39, 41, 50, 52, 60, 62, 66, 70, 87, 91
- 19062 - 5-6, 15-16, 26, 33, 39, 50, 60, 66-67, 82
- 19064 - 5-6, 15-16, 26, 33, 39, 50, 60, 66-67, 82
- 19069-0 - 6, 10, 16, 20, 26, 28, 35, 41, 52, 62, 67, 70, 90
- 19070 - 5, 10, 15, 20, 33, 35, 39, 41, 50, 52, 60, 62, 66, 70, 82, 90
- 19070-0 - 5, 10, 15, 20, 33, 35, 39, 41, 50, 52, 60, 62, 66, 70, 82, 90
- 19073 - 10, 20, 35, 41, 52, 62, 70
- 19078 - 4, 14, 25, 74
- 19078-N - 74
- 19096 - 29
- 19150 - 48, 58, 72
- 19151 - 48, 58, 72
- 19152 - 48, 58, 72
- 19153 - 48, 58, 72
- 20011 - 86, 89
- 312-A - 8, 10, 18, 20, 28, 35, 41, 52, 62, 70, 87, 91
- 312-B - 10, 20, 28, 35, 41, 52, 62, 70
- 312-C - 8, 10, 18, 20, 28, 35, 41, 52, 62, 70, 87, 90-91

312-D - 8, 10, 18, 20, 28, 35, 41, 52, 62, 70,  
87, 90-91  
312-F - 8, 10, 18, 20, 28, 35, 41, 52, 62, 70,  
87, 91  
312-G - 87, 90-91  
315-AC - 3, 13, 87, 91  
400-010 - 100  
401-005 - 100  
401-007 - 100  
401-010 - 100  
401-012 - 100  
401-015 - 100  
401-020 - 8, 18, 28, 100  
401-101 - 101  
401-130 - 101  
401-131 - 101  
401-166 - 101  
401-167 - 101  
401-168 - 101  
401-209 - 101  
401-210 - 101  
401-211 - 101  
401-212 - 101  
401-247 - 101  
401-248 - 101  
401-249 - 101  
401-250 - 101  
401-251 - 101  
402-005 - 101  
402-101 - 101  
402-130 - 101  
402-166 - 101  
406-005 - 99  
406-005 - 99  
406-007 - 99  
406-010 - 99  
406-012 - 99  
406-015 - 99  
406-020 - 99  
407-005 - 99  
407-007 - 99  
407-101 - 99  
409-005 - 99  
409-007 - 99  
409-010 - 99  
409-012 - 99  
409-015 - 99  
409-020 - 99  
410-005 - 99  
410-007 - 99  
410-010 - 99  
410-012 - 99  
410-015 - 99  
410-020 - 99  
417-005 - 100  
417-007 - 100  
417-010 - 100  
417-012 - 100  
417-015 - 100  
417-020 - 100  
429-005 - 101  
429-007 - 101  
429-010 - 101  
429-012 - 101  
429-015 - 101  
429-020 - 101  
435-005 - 102  
435-007 - 102  
435-010 - 102  
435-012 - 102  
435-015 - 102  
435-020 - 102  
436-005 - 102  
436-007 - 102  
436-010 - 102  
436-012 - 102  
436-015 - 102  
436-020 - 102  
437-101 - 102  
437-130 - 102  
437-131 - 102  
437-167 - 102  
437-168 - 102  
437-211 - 102  
437-212 - 102  
437-250 - 102

437-251 - 102  
447-005 - 103  
447-007 - 103  
447-010 - 103  
447-012 - 103  
447-015 - 103  
447-020 - 103  
448-005 - 103  
448-007 - 103  
448-010 - 103  
448-012 - 103  
448-015 - 103  
448-020 - 103  
449-007 - 102  
623 - 3, 13  
630 - 3, 13, 65  
630-ST - 13  
631 - 65  
632 - 22, 24, 65  
75000 - 75  
75001 - 63, 71-72  
75003 - 3, 6, 13, 16, 63-65, 67  
75004 - 63, 73  
75005 - 63, 73  
75006 - 63, 73  
75008 - 63  
75009 - 63, 73  
75010 - 63, 73  
75012 - 63, 73  
75018 - 75  
75027 - 75  
75028 - 75  
75029 - 75  
75054 - 44-45, 47, 49, 54-55, 57, 59  
75055 - 44-45, 47, 49, 54-55, 57, 59  
78102A - 21-22, 24  
78102A-CONV - 24  
78103A - 22, 24  
78103A-CONV - 24  
78104A - 22, 24  
78104A-CONV - 24  
78105A - 22, 24  
78105A-CONV - 24

78106A - 21-22, 24  
78106A-CONV - 24  
828N - 13  
828R - 13  
830N - 22, 24  
830R - 22, 24  
833N - 3  
833N-GERMAN - 3  
833R - 3  
837N - 65  
837R - 65  
838N - 65  
838R - 65  
839N - 48, 58, 72  
839R - 48, 58, 72  
841-2C - 32, 38, 46, 56  
848R2 - 22, 24  
938-SC - 1, 9, 11, 16, 19, 27, 63, 67, 69  
941-215AC - 21, 26  
941-215C - 1, 6, 11, 16, 63, 67  
941-215C-A - 1, 6, 11, 16, 63, 67  
941-315AC - 26  
941-415AC - 26  
941-515AC - 26  
941-615AC - 21, 26  
941-C - 26  
947 - 3, 13, 65  
952 - 2, 12, 32, 38, 46, 56, 64, 78-79, 87,  
90-91  
952-24 - 32, 38, 46, 56, 64, 90  
952-ST/DIG - 2, 12, 79  
952-ST/DIG-24 - 2, 12  
986-ST - 4, 14, 25, 35, 41, 52, 62, 70  
996 - 9, 19, 29, 34, 40, 51, 61, 69

## A

ACLEAN1 - 95  
ACLEAN3 - 95  
ACLEAN4 - 95

ACLEAN4-FH - 95  
ACLEAN4-NB - 95  
ACLEAN4-WH - 95  
ACLEAN5 - 93-94  
ACLEAN5 - 93-94  
ACLEANCADDY - 93  
AGN - 89, 91  
AGR - 89-90  
APA0003 - 4-6, 8, 14-16, 18, 25-26, 28, 33,  
35, 39, 41, 50, 52, 60, 62, 66-67, 70, 82  
APA0065 - 8, 18, 28  
APA0065 - 8, 18, 28  
APK0004 - 3, 65  
APK0005 - 3  
APK0006 - 1, 5, 9, 11, 15, 19, 34, 40, 51, 61,  
63, 66, 69  
APK0013 - 82  
APK0016 - 81  
APK0017 - 80, 82  
APK0018 - 90  
APK0019 - 87, 91  
APK0020 - 89-90  
APK0035 - 82  
APK0036 - 84  
APK0037 - 84  
APK0038 - 8, 18, 23, 28  
APK0039 - 90  
APK0040 - 87, 91  
APK0042 - 86, 89  
APK0052 - 81  
APK0052 - 81  
APK0053 - 81  
APK0053 - 81  
APK0053 - 81  
APK0054 - 81  
APK0054 - 81  
APK0054 - 81  
APP0008 - 86, 89  
AQUACLEAN PLUS - 93-94

## B

b401-015 - 101  
b401-020 - 101  
b406-015 - 99  
b406-020 - 99  
b409-015 - 100  
b409-020 - 100  
b417-015 - 100  
b417-020 - 100  
b429-015 - 101  
b429-020 - 101  
b437-212 - 102  
b437-251 - 102  
b447-015 - 103  
b447-020 - 103

## C

COA1XXXXUUS - 80  
COB2XXXXUUS - 80  
COP-A - 78, 80-81  
COP-B - 79-81

## D

DIG-220 - 1-3, 6, 13, 16, 65, 67, 79-80, 83  
DIG-220CE - 1  
DN2 - 31-32, 78  
DN2M - 31-32, 78  
DN2M-CZECH - 32  
DN2MP - 44, 46  
DN2MPR - 45-46  
DN2MS - 43, 46



DNP2 - 38  
DNP2M - 38  
DNP2MP - 54, 56  
DNP2MPR - 55-56  
DNP2MS - 53, 56

## E

ECA0349 - 48, 58  
ECA0349 - 48, 58  
ECP0063 - 32, 38, 46, 56  
ECP0123 - 86, 89  
ECP0124 - 86, 89

## F

FILTER BAG - 95

## L

LBP0116 - 2, 64  
LBP0117 - 71  
LBP0135 - 2, 12, 64, 71  
LBP0154 - 12

## M

M100A6 - 75  
M101A6 - 75

M102A6 - 75  
MSP0022 - 95  
MSP0023 - 94-95  
MSP0023 - 94-95  
MSP0030 - 97  
MSP0030 - 97  
MSP0031 - 97  
MSP0032 - 94  
MSP0033 - 94  
MSP0034 - 94

## P

PCP0319 - 49, 59  
PCP0319 - 49, 59  
PCP0339 - 49, 59  
PCP0339 - 49, 59  
PLA0035 - 5, 15, 33, 39, 50, 60, 66  
PLA0036 - 5, 15, 33, 39, 50, 60, 66  
PLA0044 - 6, 16, 67  
PLA0045 - 6, 16, 67  
PLA0046 - 6, 16, 67  
PLA0047A - 26  
PLA0113 - 10, 20, 29, 35, 41, 52, 62, 70  
PLM0047 - 103  
plm0047 - 103  
PLM0048 - 103  
plm0048 - 103  
PLP0035 - 74  
PLP0062 - 82  
PLP0080 - 90  
PLS0001 - 10, 20, 28, 35, 41, 52, 62, 70  
PLS2627 - 10, 20, 28, 35, 41, 52, 62, 70  
PRO2EU - 21  
PRO2US - 21  
PRO3EU - 21  
PRO3US - 21  
PRO4EU - 21  
PRO4US - 21

PRO5EU - 21  
PRO5US - 21  
PRO6EU - 21  
PRO6US - 21

## S

SSC17 - 7, 17, 68  
ST-220 - 3, 6, 11-13, 16, 65, 67  
ST-220CE - 11  
STK0029 - 3, 13  
STK0031 - 48, 58, 72  
STK0032 - 65  
STK0035 - 5, 15, 33, 39, 50, 60, 66  
STK0048 - 10, 20, 35, 41, 52, 62, 70, 83, 87,  
90-91  
STK0055 - 73  
STK0061B - 32  
STK0065 - 32, 46, 86, 89  
STK0066 - 32, 38  
STK0071 - 73-74  
STK0088 - 75  
STK0090 - 32  
STK0091 - 32  
STK0091-CZECH - 32  
STK0092 - 89  
STK0093 - 86, 89  
STK0094 - 86, 89  
STK0095 - 86, 89  
STK0108 - 71  
STK0123A - 38  
STK0124 - 38, 56  
STK0125 - 38  
STK0128 - 27  
STK0128A - 22, 24  
STK0128A-CONV - 24  
STK0152 - 65  
STK0156 - 32, 38, 46, 56  
STK0156 - 32, 38, 46, 56  
STK0157 - 56  
STK0158 - 46  
STK0159 - 32, 38, 46, 56  
STK0159 - 32, 38, 46, 56  
STK0163 - 32, 38, 46, 56  
STK0164 - 48, 58  
STK0165 - 46  
STK0165 - 46  
STK0165 - 46  
STK0166 - 56  
STK0166 - 56  
STK0166 - 56  
STK0166 - 56  
STK0167 - 47, 57  
STK0167 - 47, 57  
STK0167 - 47, 57  
STK0168 - 48, 58  
STK0168 - 48, 58  
STK0168 - 48, 58  
STK0169 - 59  
STK0169 - 59  
STK0169 - 59  
STK0171 - 49, 59  
STK0171 - 49, 59  
STK0171 - 49, 59  
STK0172 - 46, 56  
STK0172 - 46, 56  
STK0173 - 48, 58  
STK0173 - 48, 58  
STK0174 - 48, 58  
STK0174 - 48, 58  
STK0175 - 48, 58  
STK0175 - 48, 58  
STK0176 - 48, 58  
STK0176 - 48, 58  
STK0188 - 22, 24  
STK0188 - 22, 24  
STK0188 - 22, 24  
STK0213 - 22, 24  
STK0214 - 22, 24  
STK0215 - 22, 24  
STK0216 - 22, 24

**X**

XVAC - 97