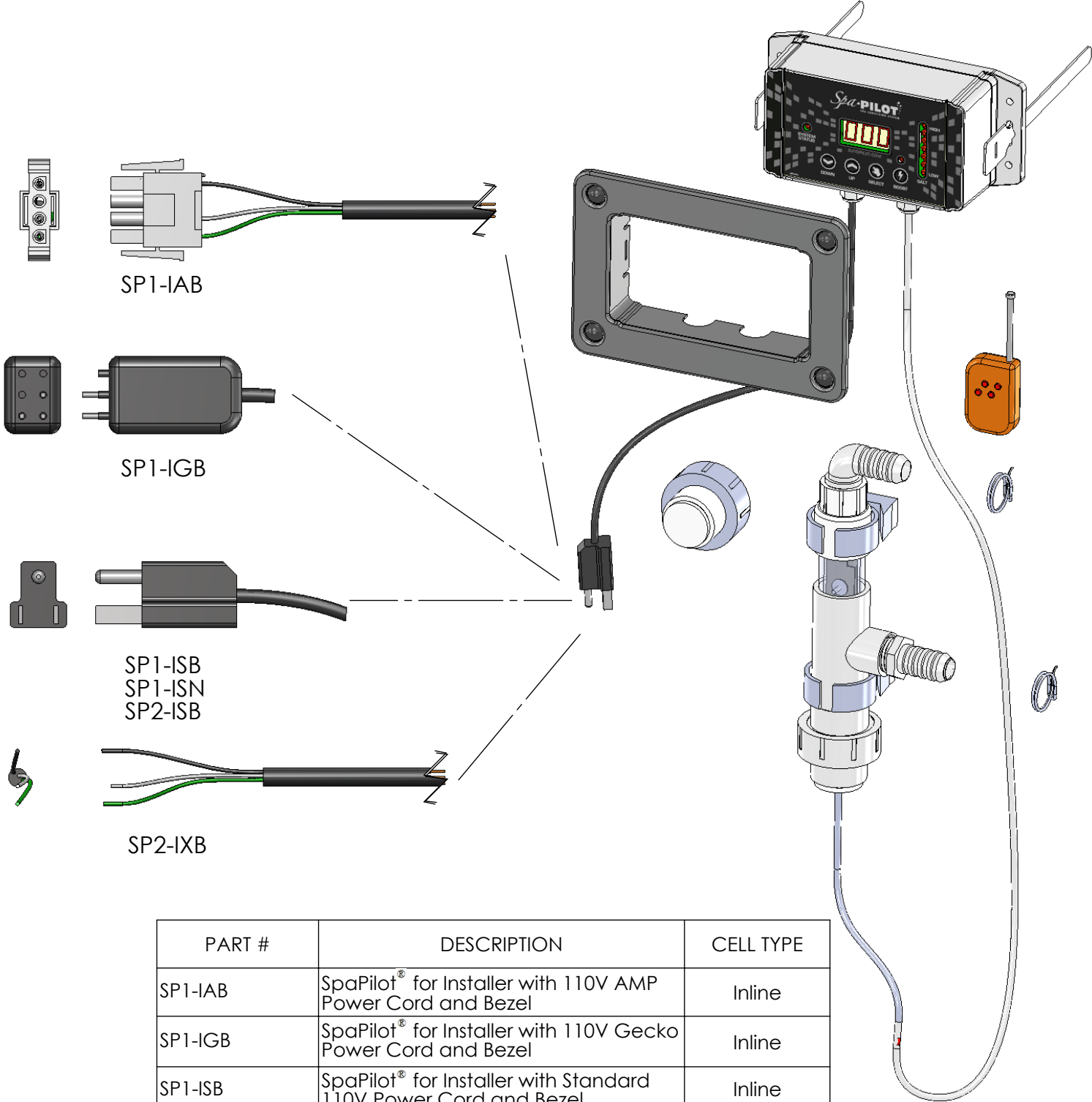


SPAPILOT® MODELS

SpaPilot®

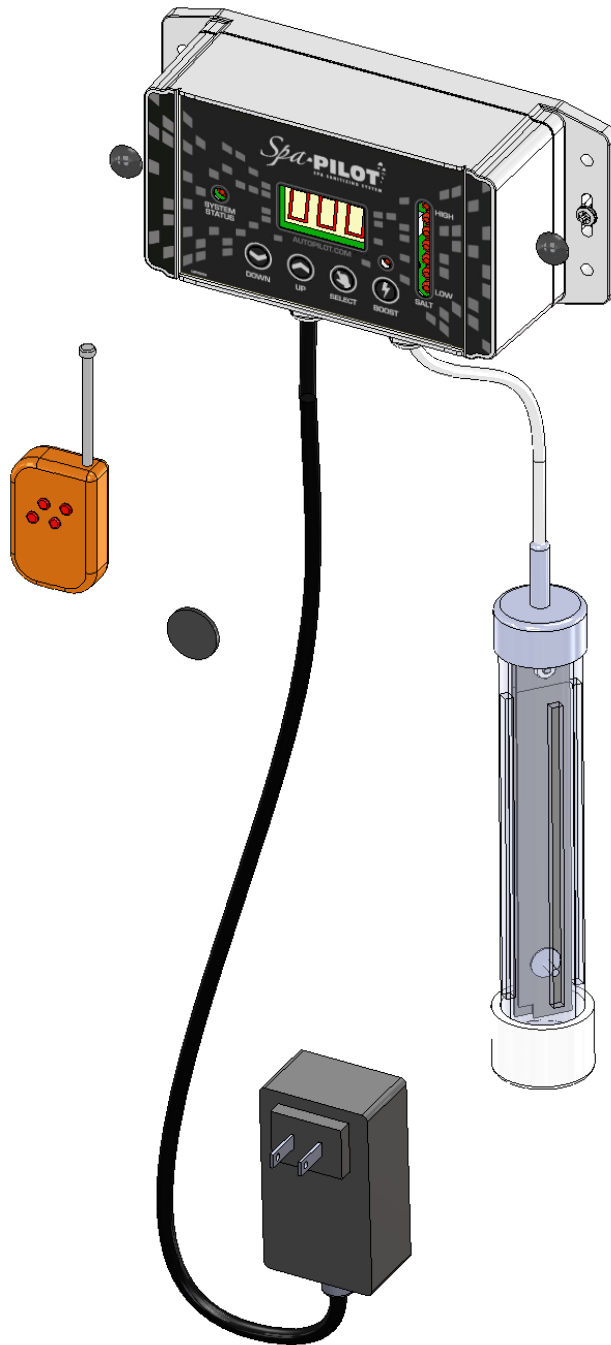


PART #	DESCRIPTION	CELL TYPE
SP1-IAB	SpaPilot® for Installer with 110V AMP Power Cord and Bezel	Inline
SP1-IGB	SpaPilot® for Installer with 110V Gecko Power Cord and Bezel	Inline
SP1-ISB	SpaPilot® for Installer with Standard 110V Power Cord and Bezel	Inline
SP1-ISN	SpaPilot® for Installer with Standard 110V Power Cord, No Bezel	Inline
SP2-ISB	SpaPilot® for Installer with Standard 110V Power Cord and Bezel, Can Operate at 220V Also	Inline
SP2-IXB	SpaPilot® for Installer with 220V Power Cord (No Plug) and Bezel	Inline

All Model #s Ending in B include Bezel

SPA-PILOT® MODELS

SPW:
SpaPilot® for Homeowner 110V Standard Wall
Power Supply with Convection Cell



POWER SUPPLY PARTS

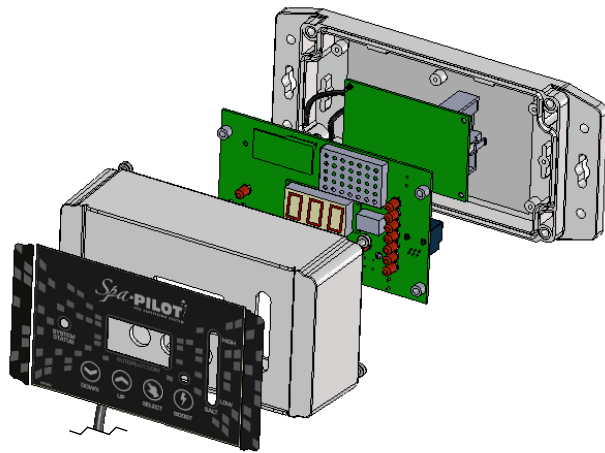
SP1, SP2, SPU

SpaPilot®

STK0139:
Replacement Control Box for SP1, SP2 and SPU

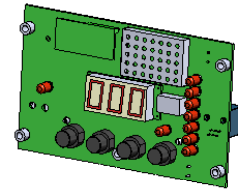
Includes:

- STK0142 Control Board for SpaPilot®
- *LBP0239 Label, Face
- *ECP0241 Power Supply Board
- STK0143 110V Power Cord
- *PCP0283 Spa Controller Box with 1/2" and 5/8" Holes

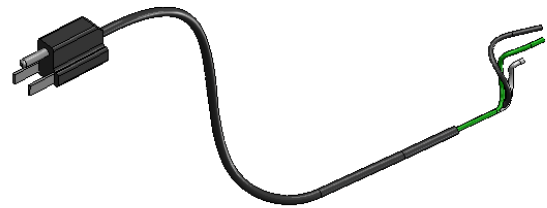


STK0142:
Control Board for SpaPilot®
(All Models)

Includes:
*856 SpaPilot® Control Board

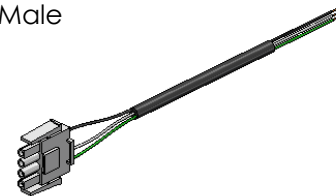


STK0143:
Power Cord 110V
Standard NEMA 15-5P Plug

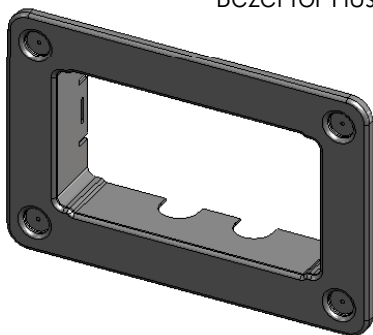


STK0138:
Power Cord, Gecko Style

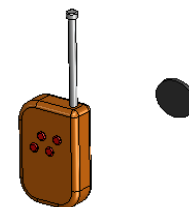
STK0144:
Power Cord, AMP Style
MATE-N-LOK 4 Pin Connector 0.25"
Centers Male



STK0141:
Bezel for Flush Mount



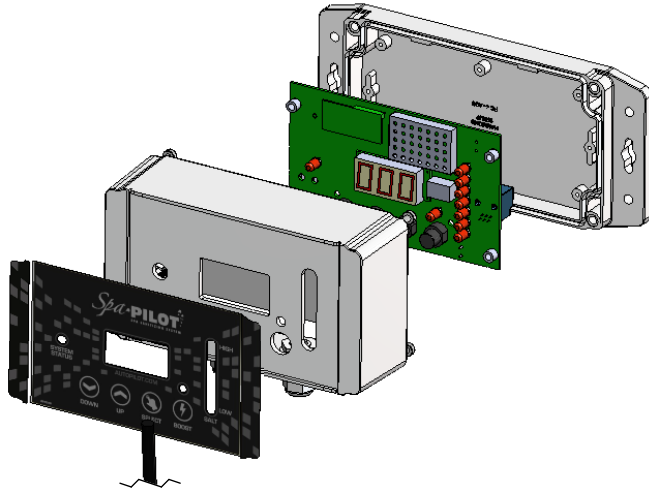
STK0145:
Remote Transmitter with Velcro Mount



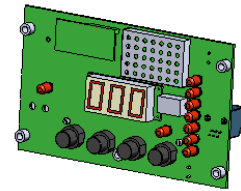
*Cannot be ordered separately

POWER SUPPLY PARTS SPW

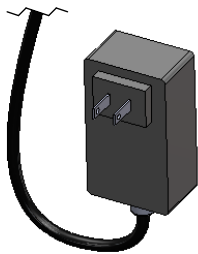
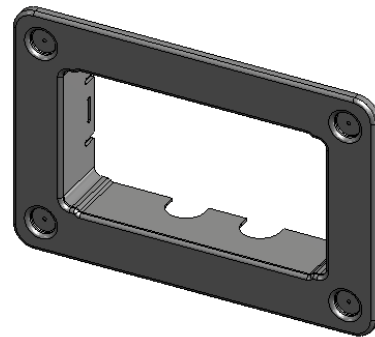
STK0147:
Controller Box for SPW SpaPilot® Models
Includes:
STK0142 Control Board for SpaPilot®
*LBP0239 Label, Face
STK0148 External AC/DC Converter
*PCP0308 Spa Controller Box with 2-1/2" Holes



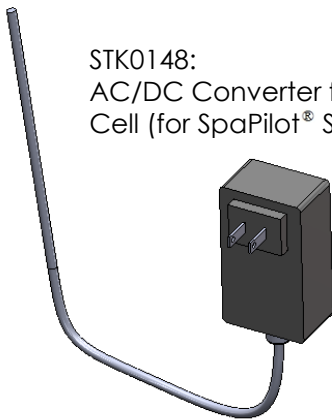
STK0142:
Control Board for SpaPilot®
(All Models)
Includes:
*856 SpaPilot® Control Board



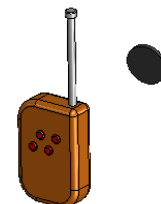
STK0141:
Bezel for Flush Mount



STK0148:
AC/DC Converter for Convection
Cell (for SpaPilot® SPW Models)



STK0145:
Remote Transmitter with Velcro Mount

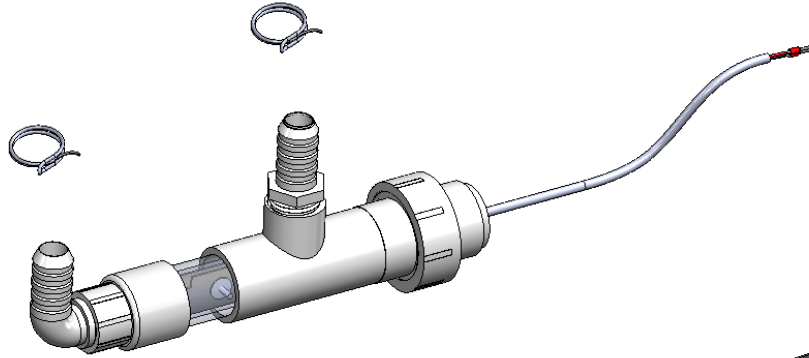


* Cannot be ordered separately

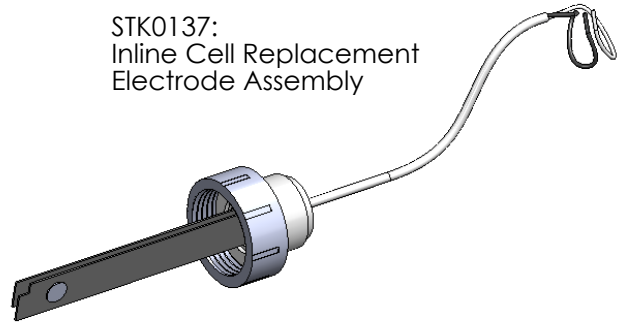
CELL OPTIONS

SpaPilot®

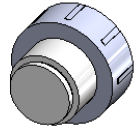
STK0136:
Inline Cell Assy



STK0137:
Inline Cell Replacement
Electrode Assembly

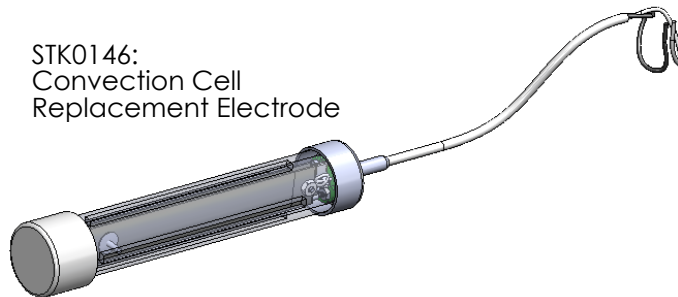


STK0140: Cleaning Kit
for SpaPilot® Inline Cell



INLINE CELL PARTS

STK0146:
Convection Cell
Replacement Electrode



OVER THE WALL/CONVECTION CELL PARTS